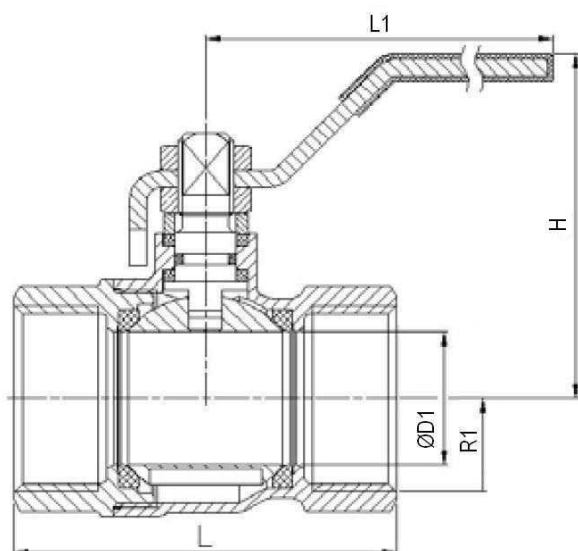


Low pressure Ball valves
2 Ways ball valve low pressure



Mild Steel



R1 = R2

ØD1 = DN

Material: brass, with chromed steel lever

Tmax: 180°C

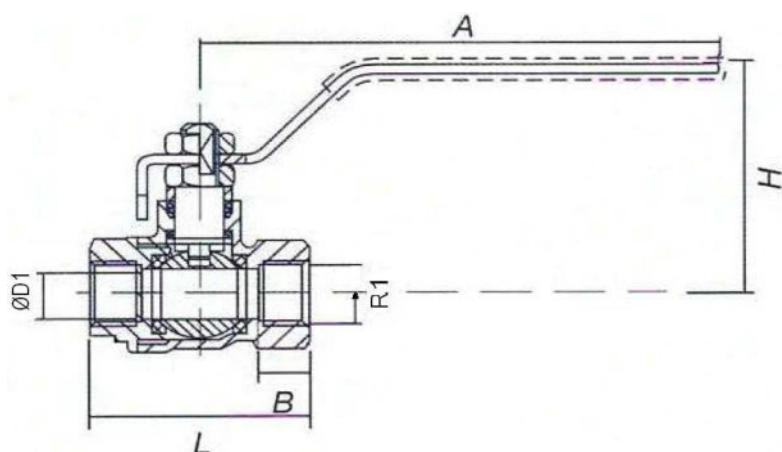
seat seal material PTFE

Part nº	ØD1	R1	MAX. PRESSURE (bar)	L	L1	H
BP2V14	10	1/4" BSP	25	46	84	46
BP2V38	10	3/8" BSP	25	46	84	46
BP2V12	15	1/2" BSP	25	46	90	53
BP2V34	20	3/4" BSP	25	51	100	56
BP2V1	25	1" BSP	25	58	110	60
BP2V114	32	1"1/4 BSP	25	72	140	75
BP2V112	40	1"1/2 BSP	25	81	140	78
BP2V2	50	2" BSP	25	96	162	90
BP2V3	74	3" BSP	25	139	236	116
BP2V4	92	4" BSP	25	166	236	128

Llaves de paso baja presión

Llave de esfera baja presión anti-hielo

1/1



ANTIHIELO-NON FROST

Tª máx: 150°C a 10 bar / 80°C a 25 bar

Tª mín: -20°C

Material: latón, palanca en acero cromado

Artículo	ØD1	R1	PRESIÓN MAX. (bar)	A	B	H	L
BP2VA14	10	1/4" BSP	30	79	9,4	29,25	40,8
BP2VA38	10	3/8" BSP	30	79	9,4	29,25	40,8
BP2VA12	14,5	1/2" BSP	30	95	12	41,75	48,5
BP2VA34	19	3/4" BSP	30	95	13	45,25	56,6
BP2VA1	24	1" BSP	30	127	14,5	52,5	66,8
BP2VA114	30	1"1/4 BSP	30	138	15	62,5	74,3
BP2VA112	37	1"1/2 BSP	30	138	17,5	67,25	89,4
BP2VA2	47	2" BSP	30	165	18,5	83,35	105,5
BP2VA212	59	2"1/2 BSP	30	230	25	106	132
BP2VA3	70	3" BSP	30	230	27	111	148
BP2VA4	85,5	4" BSP	30	230	36	123	183