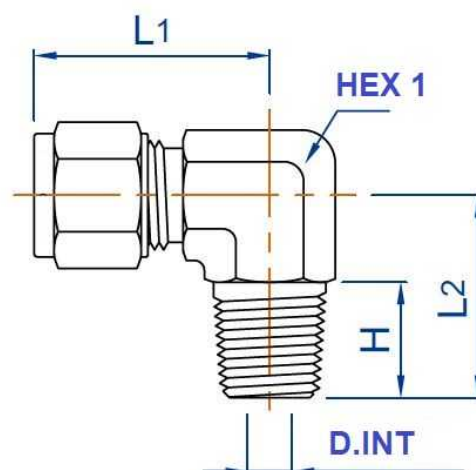


Racor Doble Anillo Trale LOK

Codos tubo-rosca

Racor en codo rosca cónica NPT

Acero Inoxidable AISI 316-L-1.4404



Artículo	ØD1	R1	Ø int	L1	L2	HEX 1	H
ZKLMP0202	1/8"	1/8"	2.28	27,18	17,78	1/2"	9,65
ZKLMP0204	1/8"	1/4"	2.28	27,17	24,13	1/2"	14,22
ZKLMP0206	1/8"	3/8"	2.3	26,16	27,94	5/8"	9,65
ZKLMP0402	1/4"	1/8"	5.08	27,43	17,78	1/2"	9,65
ZKLMP0404	1/4"	1/4"	5.08	27,43	24,13	1/2"	14,22
ZKLMP0406	1/4"	3/8"	5.08	29,46	27,94	5/8"	14,22
ZKLMP0408	1/4"	1/2"	5.08	33,27	34,29	13/16"	19,05
ZKLMP0602	3/8"	1/8"	5.08	30,48	20,06	5/8"	9,65
ZKLMP0604	3/8"	1/4"	7.11	30,48	24,63	5/8"	14,22
ZKLMP0606	3/8"	3/8"	7.11	30,48	27,94	5/8"	14,22
ZKLMP0608	3/8"	1/2"	7.11	34,54	34,29	13/16"	19,05
ZKLMP0612	3/8"	3/4"	7.11	37,59	38,1	1"	19,05
ZKLMP0804	1/2"	1/4"	7.11	36,57	29,21	13/16"	14,22
ZKLMP0806	1/2"	3/8"	9.65	36,57	29,21	13/16"	14,22
ZKLMP0808	1/2"	1/2"	10.41	36,57	36,57	13/16"	36,57
ZKLMP1208	3/4"	1/2"	9.5	36,6	34,2	13/16"	19
ZKLMP1212	3/4"	3/4"	15.49	40,64	38,35	1"	19
ZKLMP1612	1"	3/4"	12.7	40,5	38,4	1"	19
ZKLMP1616	1"	1"	12.7	50,71	38,4	1 3/8"	23.9
ZKLMP16M04	16	1/4"	7.1	39,6	29,8	1"	14.2
ZKLMP06M02	6	1/8"	5	27,2	17,7	1/2"	9,7
ZKLMP16M06	16	3/8"	9.5	40,5	33,4	1"	14.2
ZKLMP06M04	6	1/4"	5	27,2	24,1	1/2"	14,2
ZKLMP16M08	16	1/2"	11.9	40,5	38	1"	19
ZKLMP06M06	6	3/8"	5	29,5	28	5/8"	14,2
ZKLMP16M12	16	3/4"	12.7	40,5	38,4	1"	19
ZKLMP06M08	6	1/2"	5	33,2	34,2	13/16"	19

Racor Doble Anillo Trale LOK

Codos tubo-rosca

Racor en codo rosca cónica NPT

Acero Inoxidable AISI 316-L-1.4404

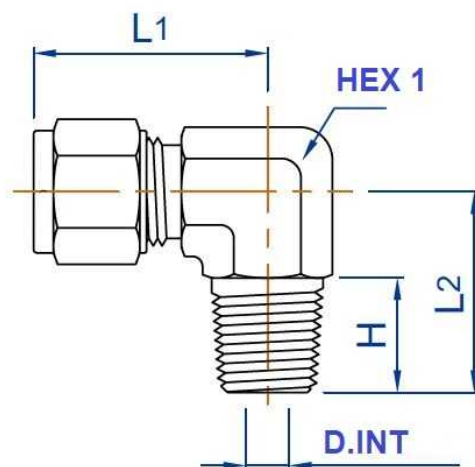
Artículo	ØD1	R1	Ø int	L1	L2	HEX 1	H
ZKLMP08M02	8	1/8"	5	29	19,7	9/16"	9,7
ZKLMP08M04	8	1/4"	6.5	29	25,8	9/16"	14,2
ZKLMP08M06	8	3/8"	6.5	29,75	28	5/8"	14,2
ZKLMP08M08	8	1/2"	6.5	35,4	34,2	13/16"	19,10
ZKLMP10M02	10	1/8"	5	31,5	22,1	11/16"	9,7
ZKLMP10M04	10	1/4"	7.1	31,5	26,6	11/16"	14,2
ZKLMP10M06	10	3/8"	7.9	31,5	26,6	11/16"	14,2
ZKLMP10M08	10	1/2"	7.9	34,4	34,2	13/16"	19
ZKLMP12M04	12	1/4"	7.1	36,6	29,1	13/16"	14,2
ZKLMP12M06	12	3/8"	9.5	36,6	29,1	13/16"	14,2
ZKLMP12M08	12	1/2"	9.5	36,6	34,2	13/16"	19
ZKLMP12M12	12	3/4"	9.5	40,2	38,4	1"	19
ZKLMP18M08	18	1/2"	11.9	40,5	38	1"	19
ZKLMP18M12	18	3/4"	15	40,5	38,4	1"	19
ZKLMP22M12	22	3/4"	16	47,5	46	1"3/8	19
ZKLMP22M16	22	1"	18	47,41	48	1"3/8	23.9
ZKLMP25M12	25	3/4"	16	50,7	46	1"3/8	19
ZKLMP25M16	25	1"	22	50,71	48	1"3/8	23.9

Racor Doble Anillo Trale LOK

Codros tubo-rosca

Racor en codo rosca cónica BSPT

Acero Inoxidable AISI 316-L-1.4404



Artículo	ØD1	R1	Ø int	L1	L2	HEX 1	H
ZKLM0402	1/4"	1/8"	5.08	27,43	17,78	1/2"	9.65
ZKLM0404	1/4"	1/4"	5.08	27,43	24,13	1/2"	14,22
ZKLM0406	1/4"	3/8"	5.08	29,46	27,94	5/8"	14,22
ZKLM0408	1/4"	1/2"	5.08	33,27	34,29	13/16"	19,05
ZKLM0604	3/8"	1/4"	7.11	27,2	24,1	1/2"	14.2
ZKLM0606	3/8"	3/8"	7.11	30,48	27,94	5/8"	14,22
ZKLM0608	3/8"	1/2"	7.11	34,54	34,29	13/16"	19,05
ZKLM0804	1/2"	1/4"	7.11	29	25,8	9/16"	14.2
ZKLM0806	1/2"	3/8"	7.11	29,75	28	5/8"	14.2
ZKLM0808	1/2"	1/2"	10.41	36,57	36,57	13/16"	36,57
ZKLM06M04	6	1/4"	5	27,2	24,1	1/2"	14,2
ZKLM06M08	6	1/2"	5	33,2	34,2	13/16"	19
ZKLM08M02	8	1/8"	5	29	19,7	9/16"	9.7
ZKLM08M04	8	1/4"	6.5	29	25,8	9/16"	14.2
ZKLM08M06	8	3/8"	6.5	29,75	28	5/8"	14,2
ZKLM08M08	8	1/2"	6.5	35,4	34,2	13/16"	19,10
ZKLM10M02	10	1/8"	5	31,5	22,1	11/16"	9.7
ZKLM10M04	10	1/4"	7.1	31,5	26,6	11/16"	14.2
ZKLM10M06	10	3/8"	7.9	31,5	26,6	11/16"	14,2
ZKLM10M08	10	1/2"	7.9	34,4	34,2	13/16"	19
ZKLM12M04	12	1/4"	7.1	36,6	29,1	13/16"	14.2
ZKLM12M06	12	3/8"	9.5	36,6	29,1	13/16"	14.2
ZKLM12M08	12	1/2"	9.5	36,6	34,2	13/16"	19
ZKLM16M04	16	1/4"	9.5	40,5	34,2	1"	14.2
ZKLM16M06	16	3/8"	9.5	40,5	33,4	1"	14.2
ZKLM16M08	16	1/2"	11.9	40,5	38	1"	19
ZKLM16M12	16	3/4"	12.7	40,5	38,4	1"	19

Racor Doble Anillo Trale LOK

Codos tubo-rosca

Racor en codo rosca cónica BSPT



Acero Inoxidable AISI 316-L-1.4404

Artículo	ØD1	R1	Ø int	L1	L2	HEX 1	H
ZKLM22M12	22	3/4"	16	47,5	46	1"3/8	19
ZKLM22M16	22	1"	16	47,5	46	1"3/8	19

FLUIDAL