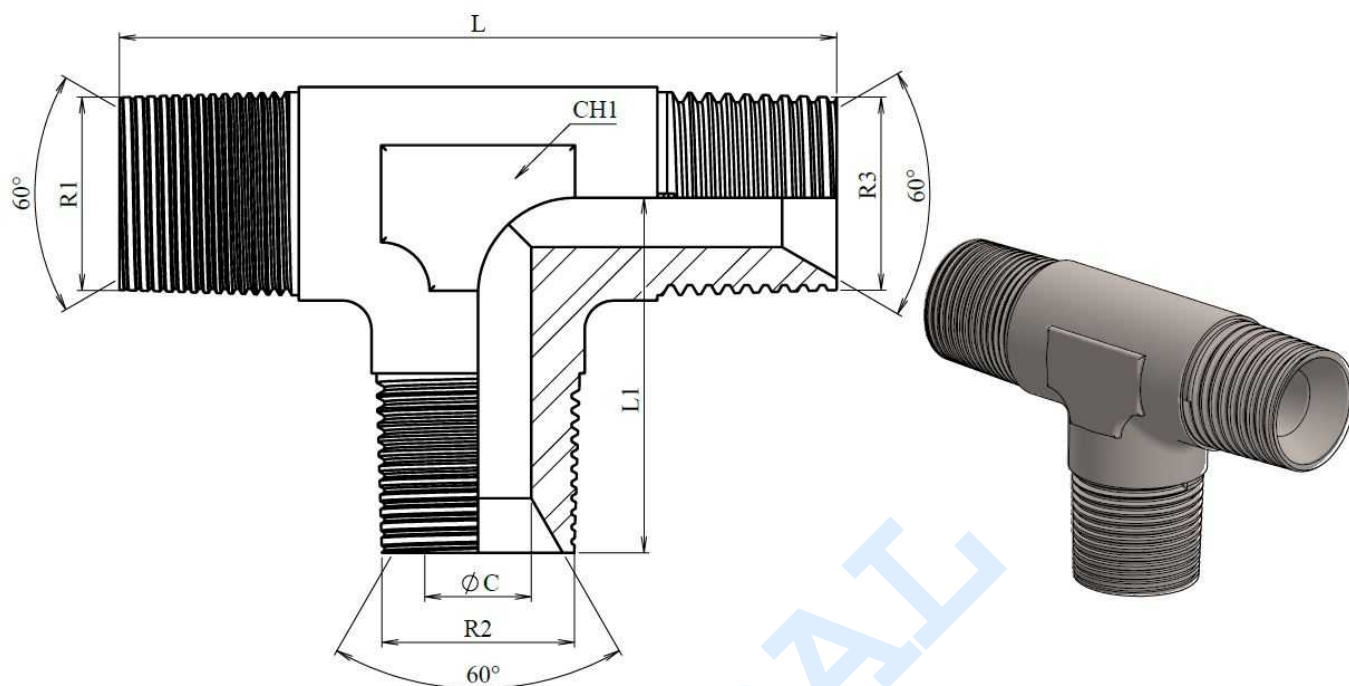


Adaptadores NPT

Tes en forja

Tes macho-macho-macho NPT

Acero Inoxidable AISI 316-L



Artículo	R1	R2	R3	L	L1	CH1
ZN122002	1/8" NPT	1/8" NPT	1/8" NPT	40	20	12
ZN122004	1/4" NPT	1/4" NPT	1/4" NPT	56	28	14
ZN122006	3/8" NPT	3/8" NPT	3/8" NPT	62	31	19
ZN122008	1/2" NPT	1/2" NPT	1/2" NPT	74	37	22
ZN122012	3/4" NPT	3/4" NPT	3/4" NPT	80	40	27
ZN122016	1" NPT	1" NPT	1" NPT	100	50	36

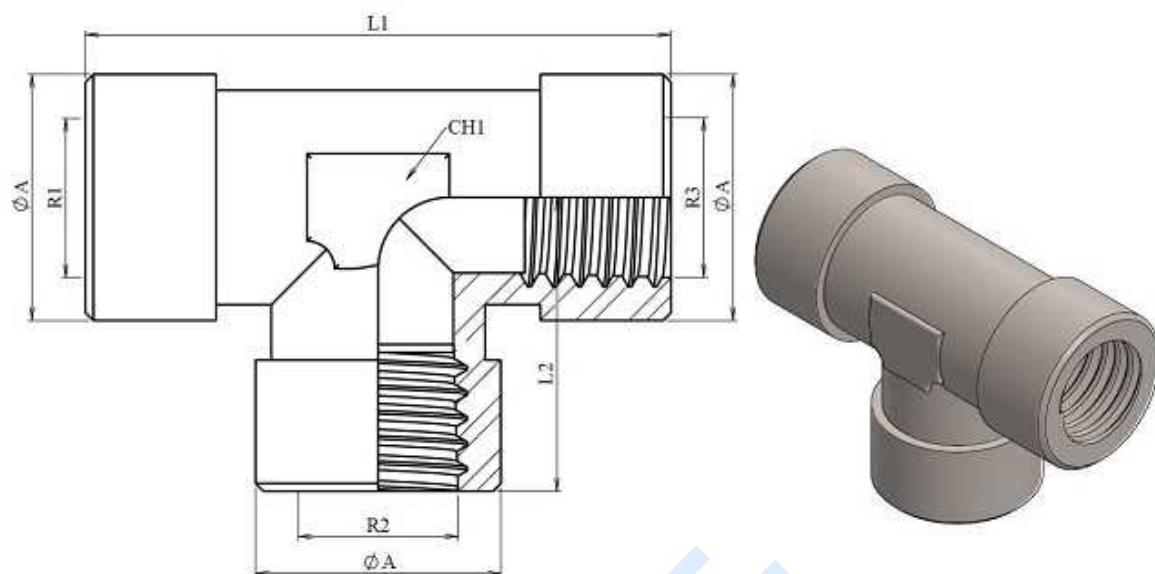
Adaptadores NPT

Tes en forja

Tes hembra fija-hembra fija-hembra fija NPT



Acero Inoxidable AISI 316-L



Artículo	R1	R2	R3	L1	L2	CH1	ØA
ZN122602	1/8" NPT	1/8" NPT	1/8" NPT	33,5	16,5	14	14
ZN122604	1/4" NPT	1/4" NPT	1/4" NPT	57	28,5	19	22
ZN122606	3/8" NPT	3/8" NPT	3/8" NPT	70	35	24	25
ZN122608	1/2" NPT	1/2" NPT	1/2" NPT	74	31,5	24	27
ZN122612	3/4" NPT	3/4" NPT	3/4" NPT	87	43,5	28	34
ZN122616	1" NPT	1" NPT	1" NPT	101,5	50,75	36	42,5