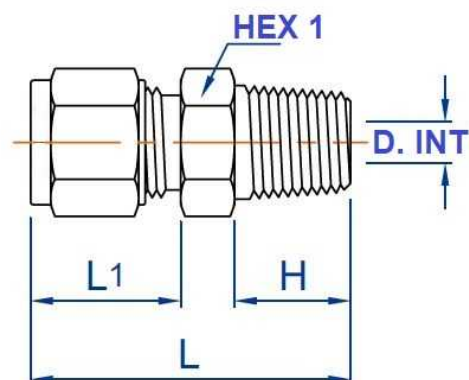


Racor Doble Anillo Trale LOK

Uniones rectas tubo-rosca macho

**Racor recto rosca cónica NPT**

Acero Inoxidable AISI 316-L-1.4404

**FLUIDAL**

Artículo	ØD1	R1	Ø int	L	L1	HEX 1	H
ZKIMP0201	1/8"	1/16"	1.32	26,16	10,92	7/16"	9,65
ZKIMP0202	1/8"	1/8"	2.28	30,48	15,24	7/16"	9,65
ZKIMP0204	1/8"	1/4"	2.28	35,56	15,24	9/16"	14,22
ZKIMP0206	1/8"	3/8"	2.28	36,06	15,24	11/16"	14,22
ZKIMP0208	1/8"	1/2"	2.28	42,42	15,24	7/8"	19,05
ZKIMP0402	1/4"	1/8"	5.08	32,77	17,78	1/2"	9,65
ZKIMP0404	1/4"	1/4"	5.08	37,85	17,78	9/16"	14,22
ZKIMP0406	1/4"	3/8"	5.08	38,35	17,78	11/16"	14,22
ZKIMP0408	1/4"	1/2"	5.08	44,70	17,78	7/8"	19,05
ZKIMP0602	3/8"	1/8"	5.08	35,05	19,3	5/8"	9,65
ZKIMP0604	3/8"	1/4"	7.11	39,87	19,3	5/8"	14,22
ZKIMP0606	3/8"	3/8"	7.11	39,87	19,3	11/16"	14,22
ZKIMP0608	3/8"	1/2"	7.11	46,22	19,3	7/8"	19,05
ZKIMP0612	3/8"	3/4"	7.11	47,7	19,3	1-1/16	19,05
ZKIMP0802	1/2"	1/8"	5.08	38,86	22,1	13/16"	9,65
ZKIMP0804	1/2"	1/4"	7.11	43,43	22,09	13/16"	14,22
ZKIMP0806	1/2"	3/8"	9.65	43,43	22,1	13/16"	14,22
ZKIMP0808	1/2"	1/2"	10.41	49,02	22,09	7/8"	19,05
ZKIMP0812	1/2"	3/4"	10.41	50,5	9,22	1-1/16	19,05
ZKIMP1212	3/4"	3/4"	15,5				
ZKIMP06M02	6	1/8"	5	32,9	17,7	14	9,5
ZKIMP06M04	6	1/4"	5	38,1	17,7	14	14,3
ZKIMP06M06	6	3/8"	5	38,5	17,7	18	14,3
ZKIMP06M08	6	1/2"	5	44,8	17,7	22	19,10
ZKIMP08M02	8	1/8"	5	34,20	18,6	15	9,5
ZKIMP08M04	8	1/4"	6.5	38,78	18,6	15	14,3
ZKIMP08M06	8	3/8"	6.5	39,30	18,6	18	14,3

Racor Doble Anillo Trale LOK

Uniones rectas tubo-rosca macho

**Racor recto rosca cónica NPT**

Acero Inoxidable AISI 316-L-1.4404

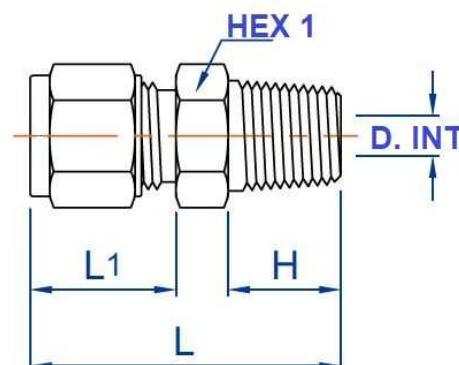
Artículo	ØD1	R1	Ø int	L	L1	HEX 1	H
<b>ZKIMP08M08</b>	8	1/2"	6.5	45,6	18,6	22	19,10
<b>ZKIMP10M02</b>	10	1/8"	5	36,1	19,5	18	9,5
<b>ZKIMP10M04</b>	10	1/4"	7.1	40,9	19,5	18	14,3
<b>ZKIMP10M06</b>	10	3/8"	7.9	40,9	19,5	18	14,3
<b>ZKIMP10M08</b>	10	1/2"	7.9	47,5	19,5	22	19,10
<b>ZKIMP12M04</b>	12	1/4"	7.1	43,4	22	22	14,3
<b>ZKIMP12M06</b>	12	3/8"	9.5	43,4	22	22	14,3
<b>ZKIMP12M08</b>	12	1/2"	9.5	49	22	22	19,10
<b>ZKIMP14M06</b>	14	3/8"	9.5	44.2	22	14.3	24
<b>ZKIMP14M08</b>	14	1/2"	11.1	49	22	19.1	24
<b>ZKIMP15M08</b>	15	1/2"	11.9	49	22	19.1	24
<b>ZKIMP16M04</b>	16	1/4"	7.1	44.01	21,8	14.3	24
<b>ZKIMP16M06</b>	16	3/8"	9.5	44.1	22	14.3	24
<b>ZKIMP16M08</b>	16	1/2"	11.9	49	22	19.1	24
<b>ZKIMP16M12</b>	16	3/4"	12.7	50.5	22	19.1	27
<b>ZKIMP18M08</b>	18	1/2"	11.9	50.6	22	19.1	27
<b>ZKIMP18M12</b>	18	3/4"	15	50.6	22	19.1	27
<b>ZKIMP22M12</b>	22	3/4"	16	52.3	22	19.1	30
<b>ZKIMP22M16</b>	22	1"	18	57.71	21,81	23.9	35

Racor Doble Anillo Trale LOK

Uniones rectas tubo-rosca macho

**Racor recto rosca cónica BSPT**

Acero Inoxidable AISI 316-L-1.4404



Artículo	ØD1	R1	Ø int	L	L1	HEX 1	H
<b>ZKIM0402</b>	1/4"	1/8	5.08	32,76	17,78	1/2"	9,65
<b>ZKIM0404</b>	1/4"	1/4"	5.08	37,85	17,78	9/16"	14,22
<b>ZKIM0408</b>	1/4"	1/2"	5.08	44,704	17,78	7/8"	19,05
<b>ZKIM0604</b>	3/8"	1/4"	7.11	39,87	19,3	5/8"	14,22
<b>ZKIM0606</b>	3/8"	3/8"	7.11	39,87	19,3	11/16"	14,22
<b>ZKIM0804</b>	1/2"	1/4"	7.11	43,43	22,09	13/16"	14,22
<b>ZKIM1008</b>	5/8"	1/2"	11,94	49,02	18,6	1" 1/16	19,05
<b>ZKIM0806</b>	1/2"	3/8"	9.65	43,43	22,09	13/16"	14,22
<b>ZKIM0808</b>	1/2"	1/2"	10.41	49,02	22,09	7/8"	19,05
<b>ZKIM06M04</b>	6	1/4"	5	38,1	17,7	14	14,3
<b>ZKIM06M06</b>	6	3/8"	5	38,5	17,7	18	14,3
<b>ZKIM06M08</b>	6	1/2"	5	44,8	17,7	22	19,10
<b>ZKIM08M06</b>	8	3/8"	6.5	39,30	18,6	18	14,3
<b>ZKIM08M08</b>	8	1/2"	6.5	45,6	18,6	22	19,10
<b>ZKIM10M04</b>	10	1/4"	7.1	40,9	19,5	18	14,3
<b>ZKIM10M06</b>	10	3/8"	7.9	40,9	19,5	18	14,3
<b>ZKIM10M08</b>	10	1/2"	7.9	47,5	19,5	22	19,10
<b>ZKIM12M04</b>	12	1/4"	7,10	43,40	22	22	14,30
<b>ZKIM12M06</b>	12	3/8"	9,5	43,40	22	22	14,30
<b>ZKIM12M08</b>	12	1/2"	9.5	49	22	22	19,10
<b>ZKIM16M04</b>	16	1/4"	7.1	44.01	21,81	24	14.3
<b>ZKIM16M06</b>	16	3/8"	9.5	44.1	22	24	14.3
<b>ZKIM16M08</b>	16	1/2"	11.9	49	22	24	19.1
<b>ZKIM16M12</b>	16	3/4"	12.7	50.5	22	27	19.1
<b>ZKIM22M12</b>	22	3/4"	16	52.3	22	30	19.1
<b>ZKIM22M16</b>	22	1"	18	57.71	21,81	35	23.9