

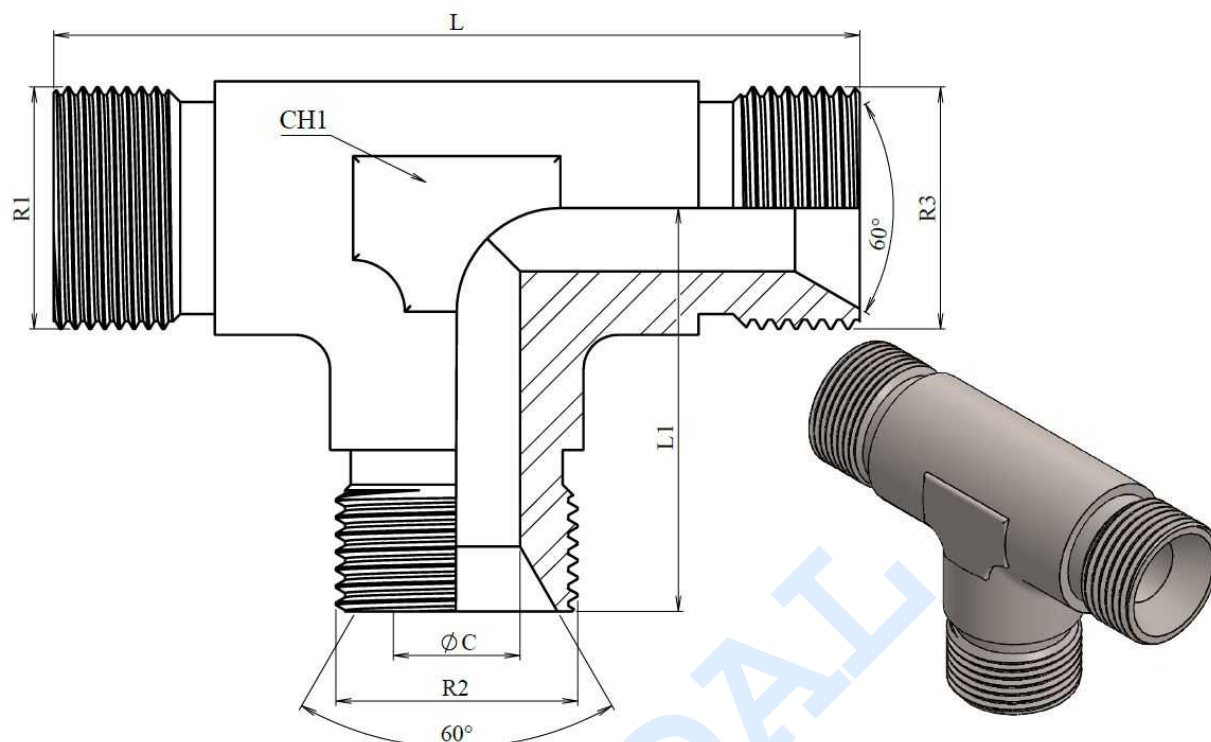
Adaptadores BSP

Te y cruces en forja

## Tes macho - macho - macho BSP cono 60º



Acero Inoxidable AISI 316-L



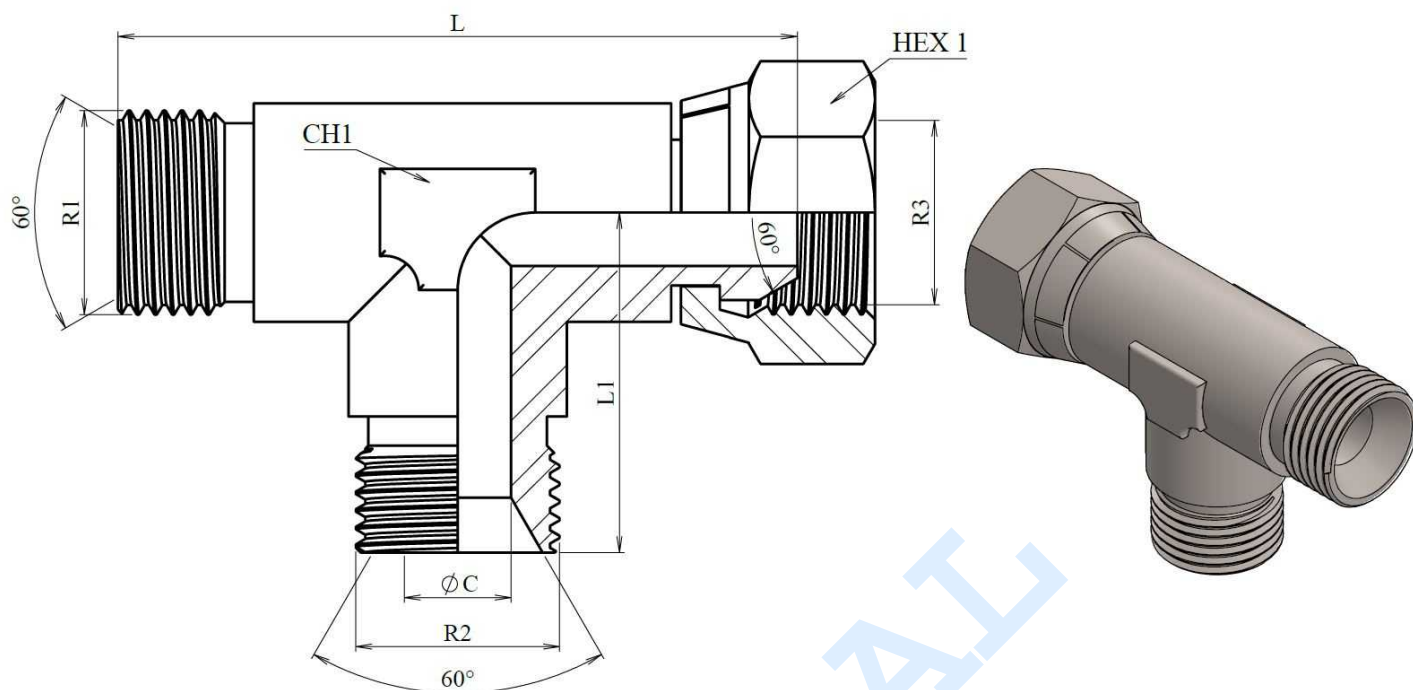
Artículo	R1	R2	R3	L	L1	CH1	ØC
<b>Z122004</b>	1/4" BSP	1/4" BSP	1/4" BSP	50,8	25,4	14	5
<b>Z122006</b>	3/8" BSP	3/8" BSP	3/8" BSP	50,8	25,4	20	8
<b>Z122008</b>	1/2" BSP	1/2" BSP	1/2" BSP	61	30,5	24	11
<b>Z122012</b>	3/4" BSP	3/4" BSP	3/4" BSP	76,2	38,1	28	16
<b>Z122016</b>	1" BSP	1" BSP	1" BSP	89	44,5	36	22
<b>Z122020</b>	1"1/4 BSP	1"1/4 BSP	1"1/4 BSP	101,6	50,8	41	28
<b>Z122024</b>	1"1/2 BSP	1"1/2 BSP	1"1/2 BSP	108	54	41	30

Adaptadores BSP

Te y cruces en forja

## Tes macho - macho - hembra giratoria BSP 60º

Acero Inoxidable AISI 316-L



Artículo	R1	R2	R3	L	L1	HEX 1	CH1	ØC
<b>Z122204</b>	1/4" BSP	1/4" BSP	1/4" BSP	51,2	25,4	19	14	5
<b>Z122206</b>	3/8" BSP	3/8" BSP	3/8" BSP	54,4	25,4	22	20	8
<b>Z122208</b>	1/2" BSP	1/2" BSP	1/2" BSP	67	31,5	27	24	11
<b>Z122212</b>	3/4" BSP	3/4" BSP	3/4" BSP	81,1	38,1	32	28	16
<b>Z122216</b>	1" BSP	1" BSP	1" BSP	91,5	44,5	41	36	22
<b>Z122220</b>	1"1/4 BSP	1"1/4 BSP	1"1/4 BSP	107	52	50	41	28
<b>Z122224</b>	1"1/2 BSP	1"1/2 BSP	1"1/2 BSP	108	54	55	41	30

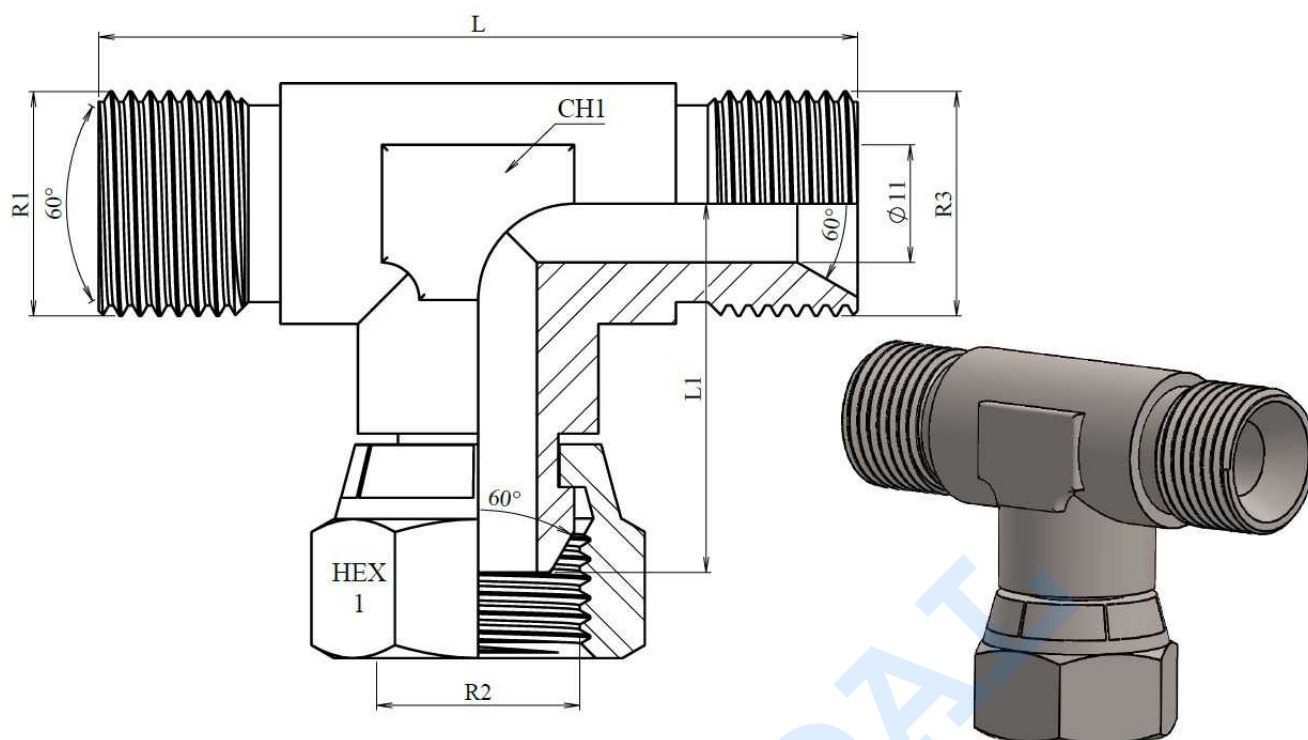
Adaptadores BSP

Te y cruces en forja

## Tes macho - hembra giratoria - macho BSP 60º



Acero Inoxidable AISI 316-L



Artículo	R1	R2	R3	L	L1	HEX 1	CH1	ØC
<b>Z122404</b>	1/4" BSP	1/4" BSP	1/4" BSP	50,8	27	19	14	5
<b>Z122406</b>	3/8" BSP	3/8" BSP	3/8" BSP	53,8	29	22	20	8
<b>Z122408</b>	1/2" BSP	1/2" BSP	1/2" BSP	63	35	27	24	11
<b>Z122412</b>	3/4" BSP	3/4" BSP	3/4" BSP	76,2	43	32	28	16
<b>Z122416</b>	1" BSP	1" BSP	1" BSP	89	50,5	41	36	22
<b>Z122420</b>	1"1/4 BSP	1"1/4 BSP	1"1/4 BSP	101,6	52,9	50	41	28
<b>Z122424</b>	1"1/2 BSP	1"1/2 BSP	1"1/2 BSP	108	54	55	41	30

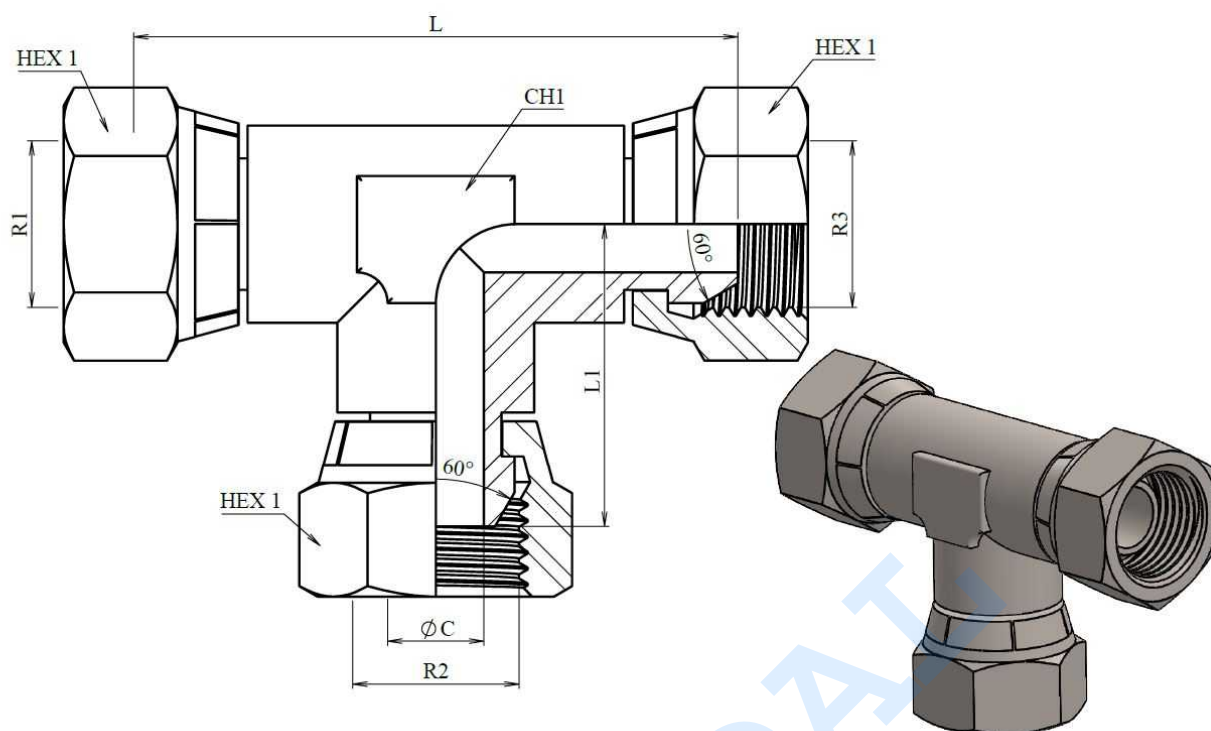
Adaptadores BSP

Te y cruces en forja

## Tes hembras giratorias BSP cono 60º



Acero Inoxidable AISI 316-L



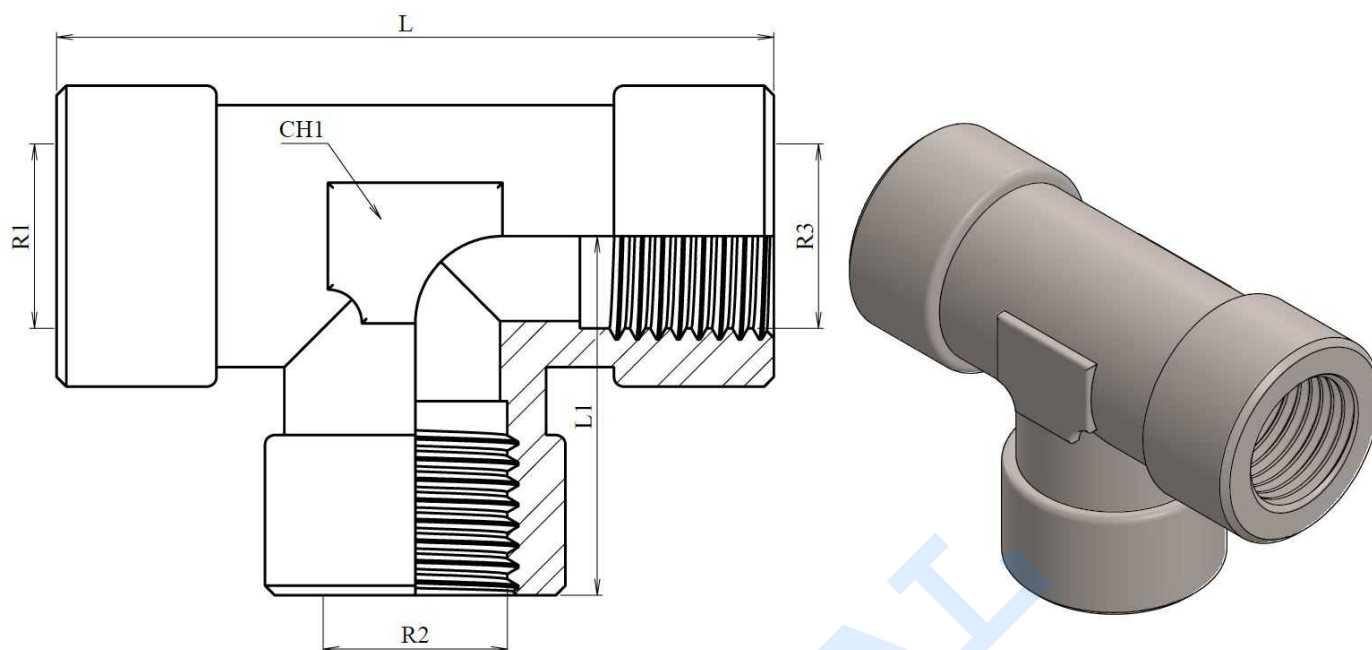
Artículo	R1	R2	R3	L	L1	HEX 1	CH1	ØC
<b>Z122804</b>	1/4" BSP	1/4" BSP	1/4" BSP	54,5	27	19	14	5
<b>Z122806</b>	3/8" BSP	3/8" BSP	3/8" BSP	58	29	22	20	8
<b>Z122808</b>	1/2" BSP	1/2" BSP	1/2" BSP	71	34,5	27	24	11
<b>Z122812</b>	3/4" BSP	3/4" BSP	3/4" BSP	86,5	43,3	32	28	15
<b>Z122816</b>	1" BSP	1" BSP	1" BSP	101	50,5	41	25	22
<b>Z122820</b>	1"1/4 BSP	1"1/4 BSP	1"1/4 BSP	105,8	52,9	50	41	28
<b>Z122824</b>	1"1/2 BSP	1"1/2 BSP	1"1/2 BSP	108	54	55	41	30

Adaptadores BSP

Te y cruces en forja

## Tes hembras fijas BSP

Acero Inoxidable AISI 316-L

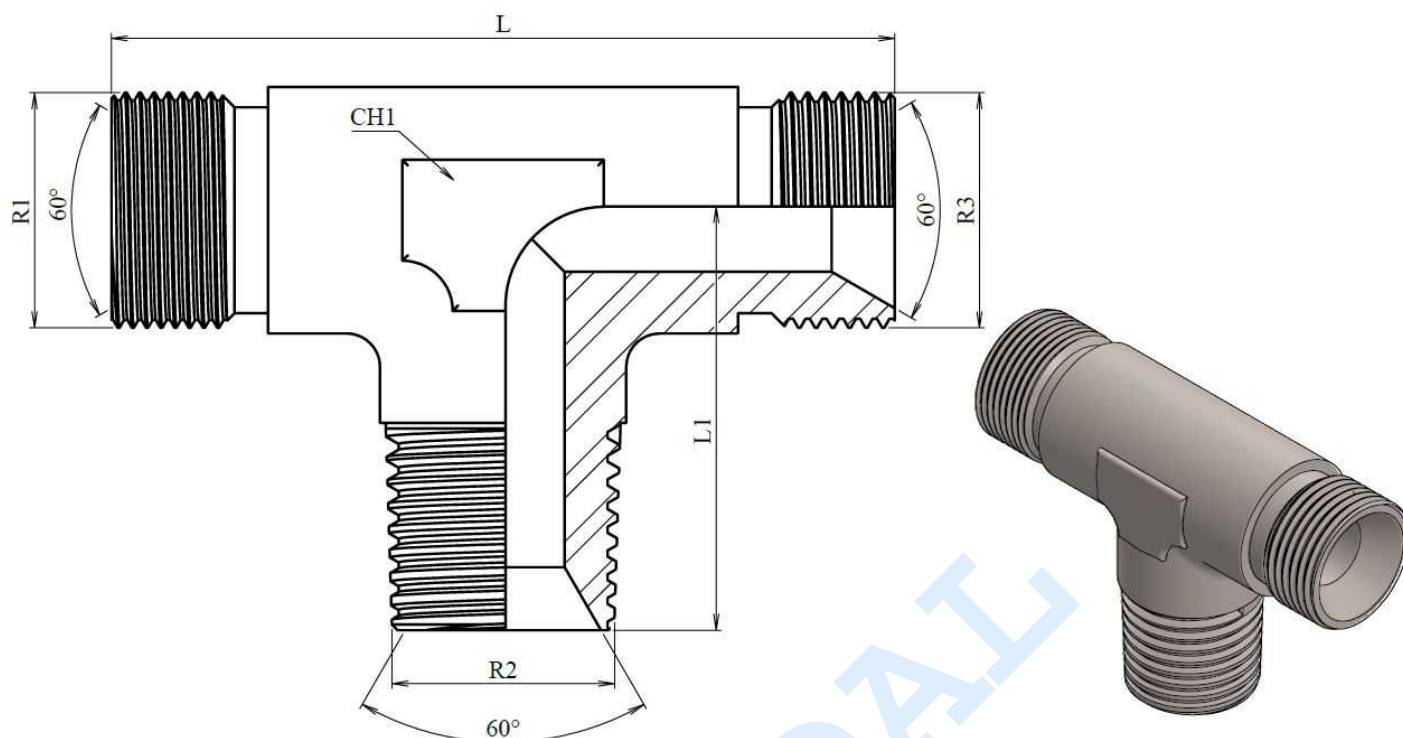


Artículo	R1	R2	R3	L	L1	CH1	ØC
<b>Z122604</b>	1/4" BSP	1/4" BSP	1/4" BSP	57	28,5	20	10
<b>Z122606</b>	3/8" BSP	3/8" BSP	3/8" BSP	70	35	24	12
<b>Z122608</b>	1/2" BSP	1/2" BSP	1/2" BSP	74	37	28	17,5
<b>Z122612</b>	3/4" BSP	3/4" BSP	3/4" BSP	90	45	28	16
<b>Z122616</b>	1" BSP	1" BSP	1" BSP	101,5	50,75	36	25

Adaptadores BSP

Te y cruces en forja

## Tes macho BSP 60º - macho NPT central - macho BSP 60º

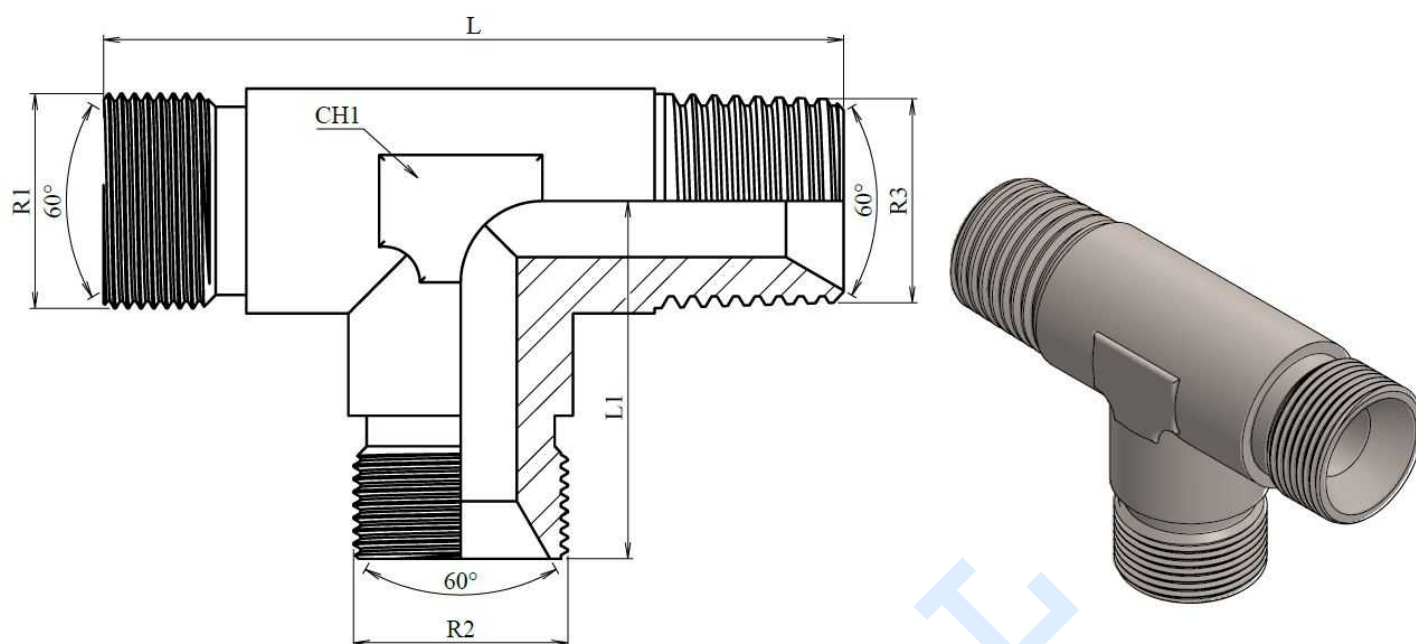


Artículo	R1	R2	R3	L	L1	CH1
<b>Z12210404</b>	1/4" BSP	1/4" NPT	1/4" BSP	52	27	14
<b>Z12210606</b>	3/8" BSP	3/8" NPT	3/8" BSP	60	31	17
<b>Z12210808</b>	1/2" BSP	1/2" NPT	1/2" BSP	61	35,5	24
<b>Z12211212</b>	3/4" BSP	3/4" NPT	3/4" BSP	84	40	27
<b>Z12211616</b>	1" BSP	1" NPT	1" BSP	94	50	36

Adaptadores BSP

Te y cruces en forja

## Tes macho BSP 60º - macho BSP 60º - macho NPT lateral



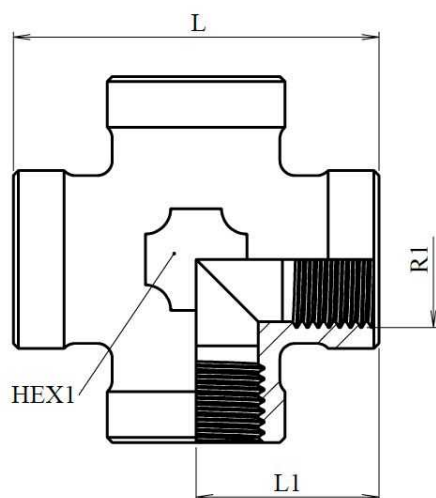
Artículo	R1	R2	R3	L	L1	CH1
<b>Z12230404</b>	1/4" BSP	1/4" BSP	1/4" NPT	51.5	25,5	14
<b>Z12230606</b>	3/8" BSP	3/8" BSP	3/8" NPT	61	29	19
<b>Z12230808</b>	1/2" BSP	1/2" BSP	1/2" NPT	66	30,5	24
<b>Z12231212</b>	3/4" BSP	3/4" BSP	3/4" NPT	82	42	27
<b>Z12231616</b>	1" BSP	1" BSP	1" NPT	97	47	36

Adaptadores BSP

Te y cruces en forja

## Cruz hembra fija BSP

Acero Inoxidable AISI 316-L



Artículo	R1	L	L1	HEX 1
<b>Z122704</b>	1/4" BSP	40	20	14
<b>Z122706</b>	3/8" BSP	52	26	22
<b>Z122708</b>	1/2" BSP	64	32	27
<b>Z122712</b>	3/4" BSP	72	36	33
<b>Z122716</b>	1" BSP	83	41,5	41