

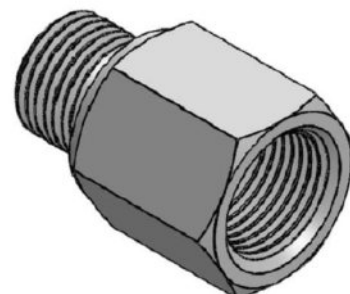
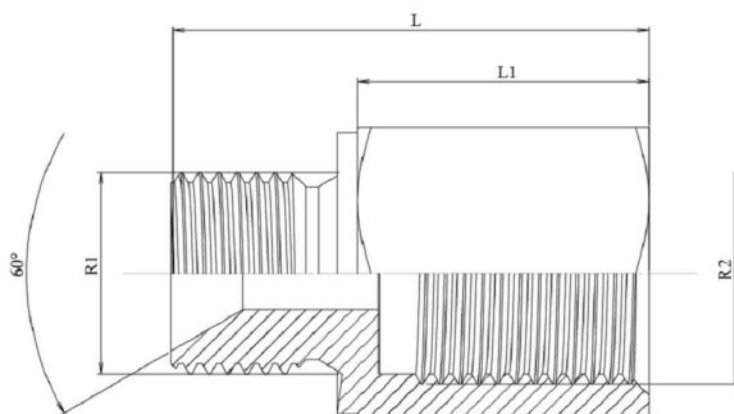
Adaptadores BSP

Uniones rectas macho-hembra

Prolongador macho BSP 60º - hembra fija BSP



Acero Inoxidable AISI 316-L



| Artículo | R1 | R2 | L | L1 | HEX 1 | ØC |
|----------------|-----------|-----------|------|------|-------|------|
| Z106002 | 1/8" BSP | 1/8" BSP | 27 | 18 | 14 | 3,5 |
| Z106004 | 1/4" BSP | 1/4" BSP | 34 | 21 | 19 | 6 |
| Z106006 | 3/8" BSP | 3/8" BSP | 31 | 17 | 22 | 8 |
| Z106008 | 1/2" BSP | 1/2" BSP | 42,5 | 25 | 27 | 11 |
| Z106012 | 3/4" BSP | 3/4" BSP | 45 | 26,5 | 32 | 16 |
| Z106016 | 1" BSP | 1" BSP | 50 | 28,5 | 41 | 22 |
| Z106020 | 1"1/4 BSP | 1"1/4 BSP | 57 | 32 | 50 | 28,5 |
| Z106024 | 1"1/2 BSP | 1"1/2 BSP | 67 | 40 | 55 | 33 |
| Z106032 | 2" BSP | 2" BSP | 68 | 40 | 70 | 46 |

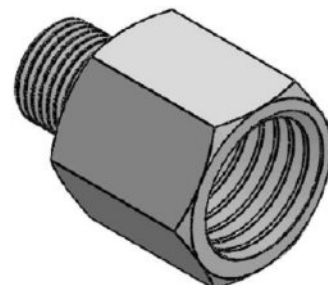
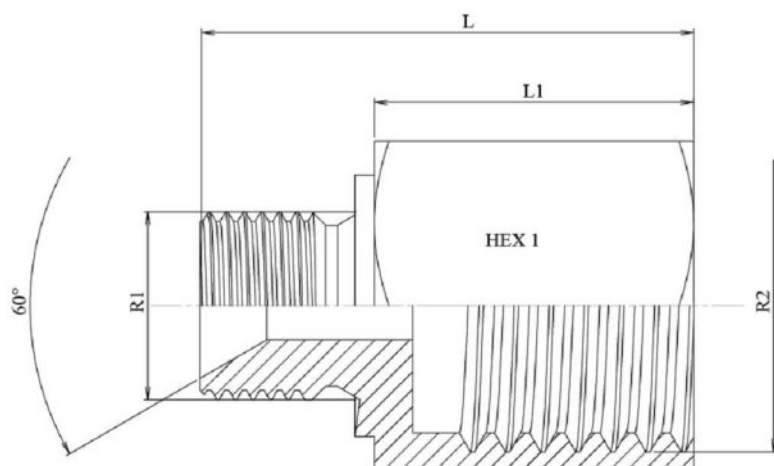
Adaptadores BSP

Uniones rectas macho-hembra

Reductor macho BSP 60° - hembra fija BSP



Acero Inoxidable AISI 316-L



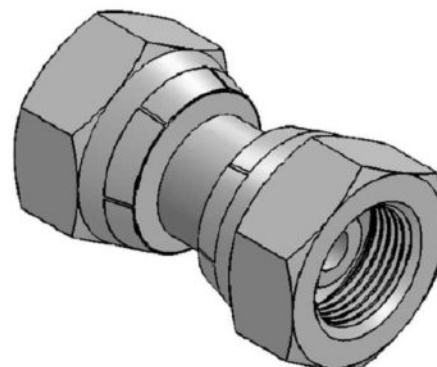
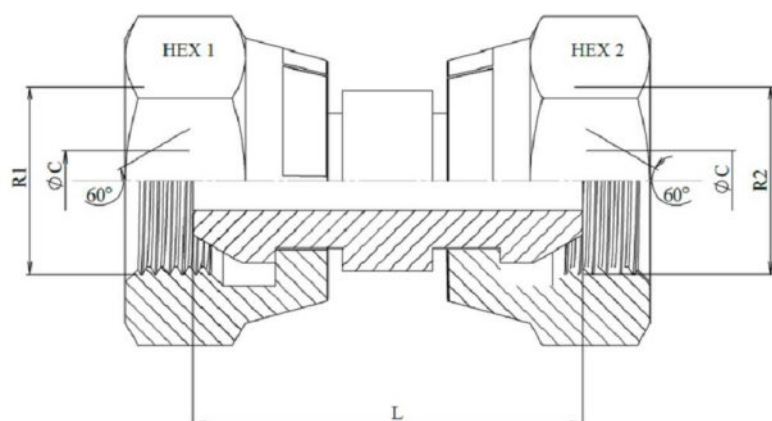
| Artículo | R1 | R2 | L | L1 | HEX 1 | ØC |
|------------------|------------|------------|------|------|-------|------|
| Z10600204 | 1/8" BSP | 1/4" BSP | 30 | 21 | 19 | 3,5 |
| Z10600206 | 1/8" BSP | 3/8" BSP | 26 | 17 | 22 | 3,5 |
| Z10600402 | 1/4" BSP | 1/8" BSP | 31 | 18 | 17 | 6 |
| Z10600406 | 1/4" BSP | 3/8" BSP | 31 | 18 | 22 | 6 |
| Z10600408 | 1/4" BSP | 1/2" BSP | 38 | 25 | 27 | 6 |
| Z10600604 | 3/8" BSP | 1/4" BSP | 35 | 21 | 22 | 8 |
| Z10600608 | 3/8" BSP | 1/2" BSP | 39 | 25 | 27 | 8 |
| Z10600804 | 1/2" BSP | 1/4" BSP | 38,5 | 21 | 27 | 11 |
| Z10600806 | 1/2" BSP | 3/8" BSP | 39,5 | 22 | 27 | 11 |
| Z10600812 | 1/2" BSP | 3/4" BSP | 44 | 26,5 | 32 | 11 |
| Z10600816 | 1/2" BSP | 1" BSP | 45,5 | 28,5 | 41 | 11 |
| Z10601206 | 3/4" BSP | 3/8" BSP | 35,5 | 17 | 32 | 15 |
| Z10601208 | 3/4" BSP | 1/2" BSP | 40,5 | 22 | 32 | 16 |
| Z10601216 | 3/4" BSP | 1" BSP | 47 | 28,5 | 41 | 16 |
| Z10601612 | 1" BSP | 3/4" BSP | 48 | 26,5 | 41 | 22 |
| Z10601620 | 1" BSP | 1"1/4" BSP | 53,5 | 32 | 50 | 22 |
| Z10601624 | 1" BSP | 1"1/2" BSP | 59,5 | 40 | 55 | 22,2 |
| Z10602016 | 1"1/4" BSP | 1" BSP | 53,5 | 28,5 | 50 | 30 |
| Z10602420 | 1"1/2" BSP | 1"1/4" BSP | 59 | 32 | 55 | 33 |
| Z10602432 | 1"1/2" BSP | 2" BSP | 68 | 40 | 70 | 33 |
| Z10603224 | 2" BSP | 1"1/2" BSP | 68 | 40 | 70 | 46 |

Adaptadores BSP

Uniones rectas macho-hembra

Adaptador hembra giratoria - hembra giratoria BSP 60º

Acero Inoxidable AISI 316-L



| Artículo | R1 | R2 | L | HEX 1 | ØC |
|----------------|------------|------------|----|-------|-----|
| Z117204 | 1/4" BSP | 1/4" BSP | 26 | 19 | 5 |
| Z117206 | 3/8" BSP | 3/8" BSP | 28 | 22 | 7 |
| Z117208 | 1/2" BSP | 1/2" BSP | 34 | 27 | 9,5 |
| Z117212 | 3/4" BSP | 3/4" BSP | 39 | 32 | 15 |
| Z117216 | 1" BSP | 1" BSP | 47 | 41 | 19 |
| Z117220 | 1" 1/4 BSP | 1" 1/4 BSP | 51 | 50 | 26 |
| Z117224 | 1" 1/2 BSP | 1" 1/2 BSP | 55 | 55 | 32 |
| Z117232 | 2" BSP | 2" BSP | 55 | 70 | 45 |

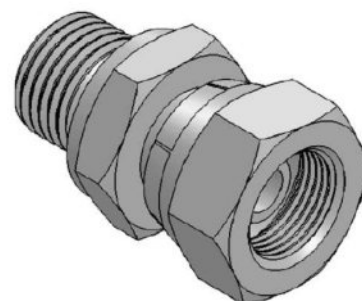
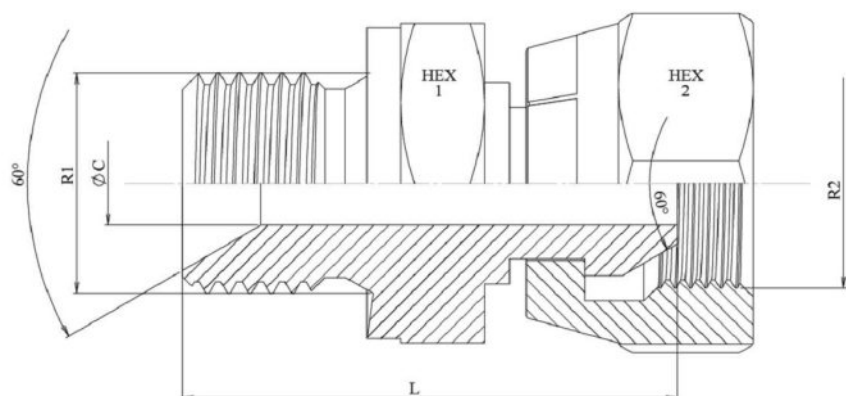
Adaptadores BSP

Uniones rectas macho-hembra

Adaptador macho - hembra giratoria BSP cono 60º



Acero Inoxidable AISI 316-L



| Artículo | R1 | R2 | L | HEX 1 | HEX 2 | ØC |
|-------------------|-----------|-----------|------|-------|-------|------|
| Z117002 | 1/8" BSP | 1/8" BSP | 29,5 | 17 | 19 | 4 |
| Z117004 | 1/4" BSP | 1/4" BSP | 29,5 | 17 | 19 | 6 |
| Z117004H19 | 1/4" BSP | 1/4" BSP | 29,5 | 19 | 19 | 6 |
| Z117006 | 3/8" BSP | 3/8" BSP | 33,5 | 22 | 22 | 8 |
| Z117008 | 1/2" BSP | 1/2" BSP | 39,5 | 27 | 27 | 11 |
| Z117012 | 3/4" BSP | 3/4" BSP | 43,5 | 32 | 32 | 16 |
| Z117016 | 1" BSP | 1" BSP | 51,5 | 41 | 41 | 22 |
| Z117020 | 1"1/4 BSP | 1"1/4 BSP | 56 | 50 | 50 | 28,5 |
| Z117024 | 1"1/2 BSP | 1"1/2 BSP | 59 | 55 | 55 | 32 |
| Z117032 | 2" BSP | 2" BSP | 63 | 70 | 70 | 46 |

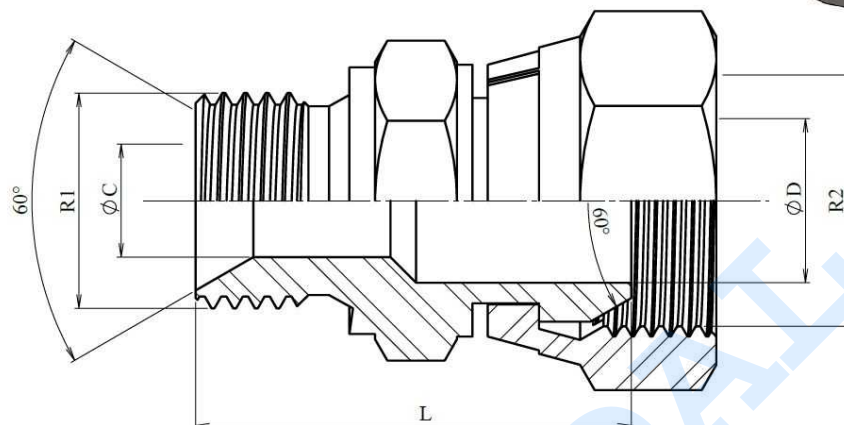
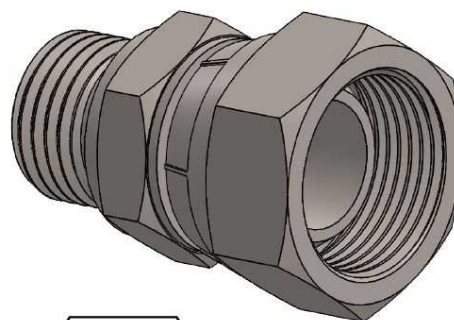
Adaptadores BSP

Uniones rectas macho-hembra

Reductor macho - hembra giratoria BSP cono 60°



Acero Inoxidable AISI 316-L



| Artículo | R1 | R2 | L | HEX 1 | HEX 2 | ØC | ØD |
|------------------|------------|------------|------|-------|-------|------|----|
| Z11730204 | 1/8" BSP | 1/4" BSP | 26 | 14 | 19 | 5 | 5 |
| Z11730406 | 1/4" BSP | 3/8" BSP | 32,5 | 19 | 22 | 6 | 6 |
| Z11730604 | 3/8" BSP | 1/4" BSP | 32,5 | 22 | 19 | 8 | 4 |
| Z11730608 | 3/8" BSP | 1/2" BSP | 36 | 22 | 27 | 8 | 11 |
| Z11730806 | 1/2" BSP | 3/8" BSP | 37,5 | 27 | 22 | 11 | 8 |
| Z11730812 | 1/2" BSP | 3/4" BSP | 42,5 | 27 | 32 | 11 | 16 |
| Z11731216 | 3/4" BSP | 1" BSP | 48,5 | 32 | 41 | 16 | 22 |
| Z11731612 | 1" BSP | 3/4" BSP | 48,5 | 41 | 32 | 22 | 15 |
| Z11731620 | 1" BSP | 1" 1/4 BSP | 52,5 | 41 | 50 | 22 | 26 |
| Z11732016 | 1" 1/4 BSP | 1" BSP | 55 | 50 | 41 | 28,5 | 19 |
| Z11732024 | 1" 1/4 BSP | 1" 1/2 BSP | 59 | 50 | 55 | 28,5 | 32 |
| Z11732420 | 1" 1/2 BSP | 1" 1/4 BSP | 59 | 55 | 50 | 33 | 26 |
| Z11732432 | 1" 1/2 BSP | 2" BSP | 62 | 60 | 70 | 33 | 44 |
| Z11733224 | 2" BSP | 1" 1/2 BSP | 64 | 65 | 55 | 46 | 32 |

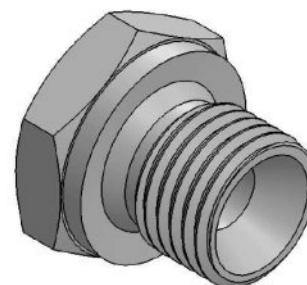
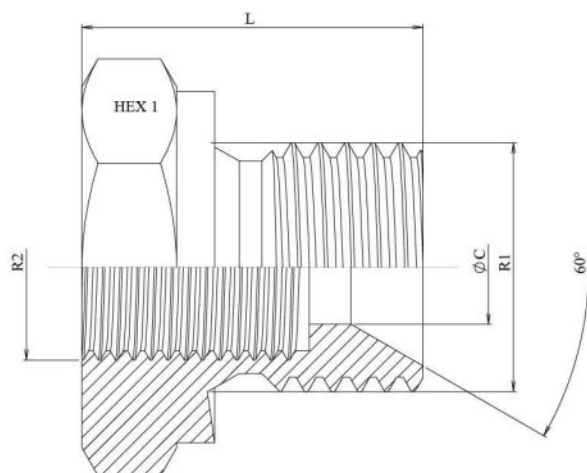
Adaptadores BSP

Uniones rectas macho-hembra

Tapón reductor macho BSP 60° - hembra fija BSP



Acero Inoxidable AISI 316-L



| Artículo | R1 | R2 | L | HEX 1 | ØC |
|------------------|------------|------------|------|-------|------|
| Z11500402 | 1/4" BSP | 1/8" BSP | 18 | 19 | 6 |
| Z11500602 | 3/8" BSP | 1/8" BSP | 21 | 22 | 7 |
| Z11500604 | 3/8" BSP | 1/4" BSP | 21 | 22 | 12 |
| Z11500804 | 1/2" BSP | 1/4" BSP | 25 | 27 | 11 |
| Z11500806 | 1/2" BSP | 3/8" BSP | 25 | 27 | 11 |
| Z11501208 | 3/4" BSP | 1/2" BSP | 26,5 | 32 | 19 |
| Z11501608 | 1" BSP | 1/2" BSP | 31,5 | 41 | 19 |
| Z11501612 | 1" BSP | 3/4" BSP | 31,5 | 41 | 23 |
| Z11502012 | 1" 1/4 BSP | 3/4" BSP | 35 | 50 | 26 |
| Z11502016 | 1" 1/4 BSP | 1" BSP | 35 | 50 | 26 |
| Z11502416 | 1" 1/2 BSP | 1" BSP | 38 | 55 | 30,9 |
| Z11503216 | 2" BSP | 1" BSP | 41 | 65 | 45 |
| Z11503224 | 2" BSP | 1" 1/2 BSP | 41 | 65 | 44 |