

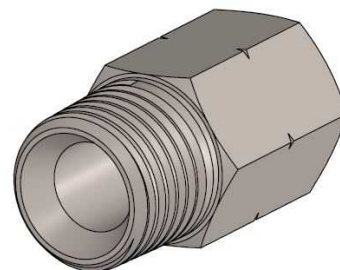
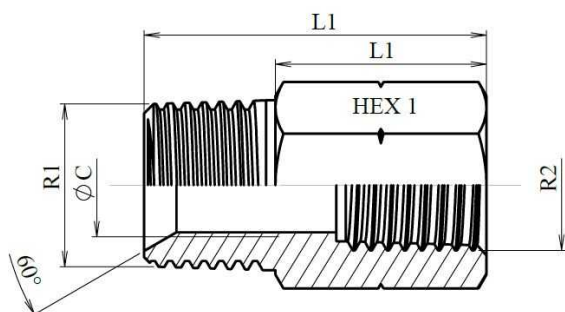
Adaptadores NPT

Uniones rectas macho-hembra

Adaptador macho - hembra fija NPT



Acero Inoxidable AISI 316-L

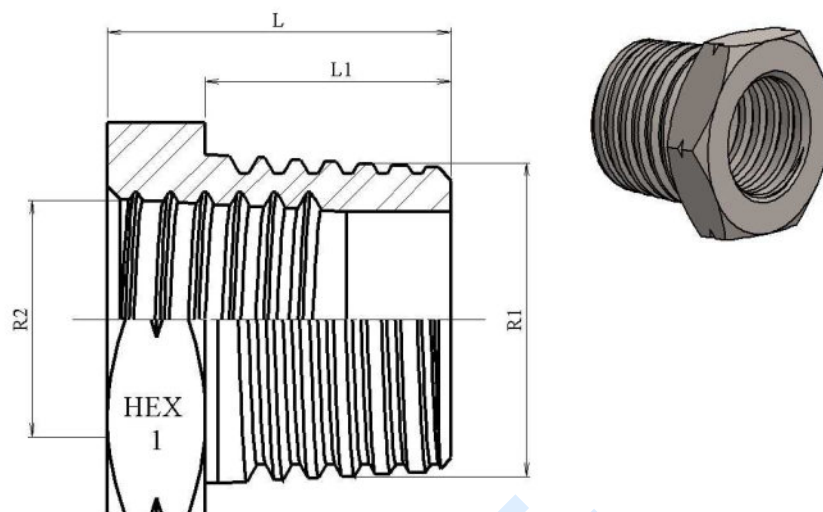


Artículo	R1	R2	L	L1	HEX 1	ØC
ZN10600202	1/8" NPT	1/8" NPT	26,4	15,9	16	5
ZN10600204	1/8" NPT	1/4" NPT	33,5	23	19	4
ZN10600402	1/4" NPT	1/8" NPT	31,5	18	14	7
ZN10600404	1/4" NPT	1/4" NPT	36	22,5	19	7
ZN10600406	1/4" NPT	3/8" NPT	33,5	20	22	7
ZN10600408	1/4" NPT	1/2" NPT	41,5	28,5	30	7
ZN10600604	3/8" NPT	1/4" NPT	36,5	22,5	19	10
ZN10600606	3/8" NPT	3/8" NPT	34	20	22	8
ZN10600608	3/8" NPT	1/2" NPT	42,5	28,5	30	10
ZN10600806	1/2" NPT	3/8" NPT	35,5	17	18	13
ZN10600808	1/2" NPT	1/2" NPT	47,5	29	30	13
ZN10600812	1/2" NPT	3/4" NPT	45,5	27	36	13
ZN10601208	3/4" NPT	1/2" NPT	49	29	30	16
ZN10601212	3/4" NPT	3/4" NPT	47	27	36	16
ZN10601216	3/4" NPT	1" NPT	48,5	28,5	41	17,5
ZN10601612	1" NPT	3/4" NPT	51	27	36	22
ZN10601616	1" NPT	1" NPT	53	29	41	22

Adaptadores NPT

Uniones rectas macho-hembra

Reductor macho - hembra fija NPT

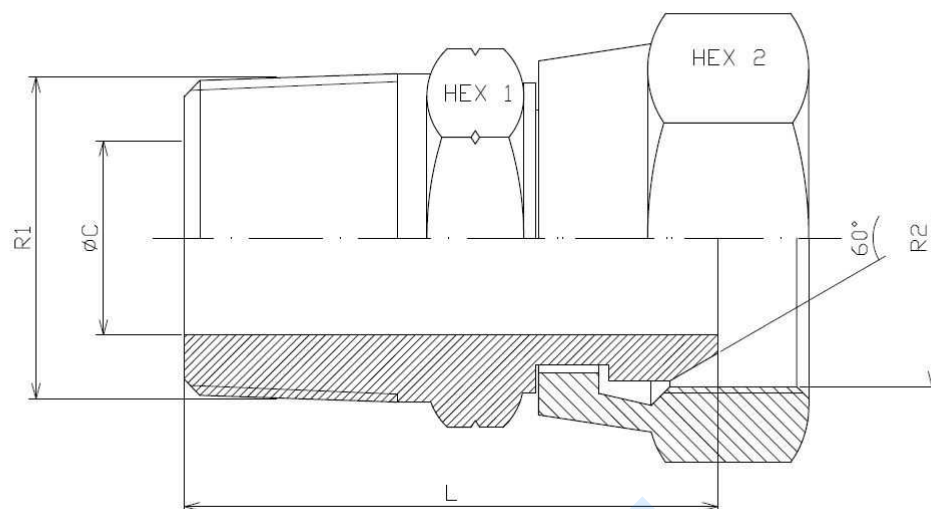


Artículo	R1	R2	L	L1	HEX 1
ZN11500602	3/8" NPT	1/8" NPT	21	14	19
ZN11500604	3/8" NPT	1/4" NPT	21	14	22
ZN11500804	1/2" NPT	1/4" NPT	27,5	18,5	22
ZN11500806	1/2" NPT	3/8" NPT	26	18,5	22
ZN11501204	3/4" NPT	1/4" NPT	28	20	32
ZN11501206	3/4" NPT	3/8" NPT	28	20	32
ZN11501208	3/4" NPT	1/2" NPT	30	20	27
ZN11501606	1" NPT	3/8" NPT	34	24	36
ZN11501608	1" NPT	1/2" NPT	34	24	36
ZN11501612	1" NPT	3/4" NPT	34	24	36
ZN11502016	1" 1/4 NPT	1" NPT	36	26	46
ZN11502416	1" 1/2 NPT	1" NPT	38	27	50
ZN11502420	1" 1/2 NPT	1" 1/4 NPT	38	27	50

Adaptadores NPT

Uniones rectas macho-hembra

Adaptador macho NPT - hembra giratoria NPSM

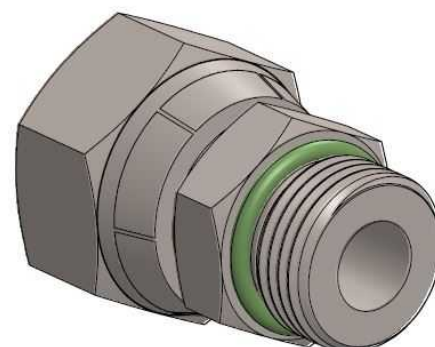
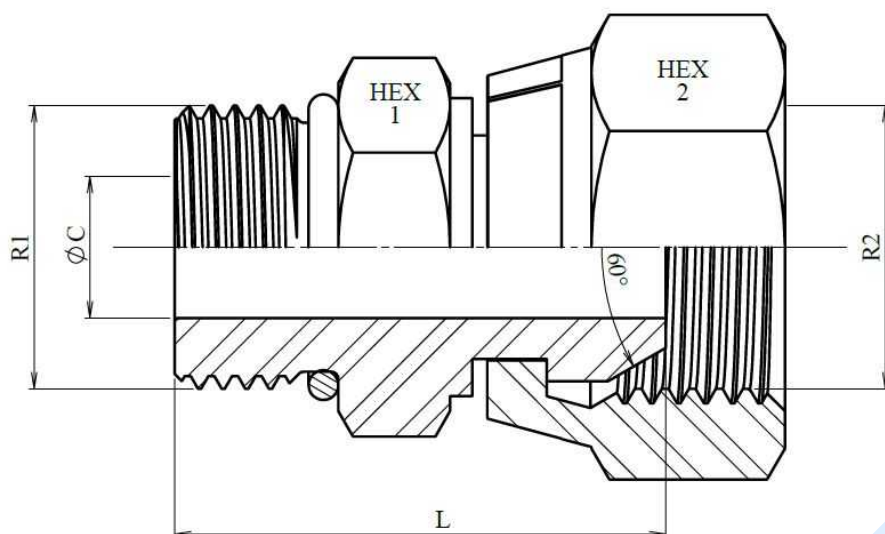


Artículo	R1	R2	L	HEX 1	HEX 2	ØC
ZN11700202	1/8" NPT	1/8" NPSM	25,5	12	14	5
ZN11700404	1/4" NPT	1/4" NPSM	30,5	17	19	5
ZN11700606	3/8" NPT	3/8" NPSM	32,5	19	22	8
ZN11700608	3/8" NPT	1/2" NPSM	35,5	19	27	8
ZN11700808	1/2" NPT	1/2" NPSM	39	22	27	11
ZN11700812	1/2" NPT	3/4" NPSM	42,5	27	32	11
ZN11701212	3/4" NPT	3/4" NPSM	44	27	32	16
ZN11701216	3/4" NPT	1" NPSM		41	41	
ZN11701616	1" NPT	1" NPSM	55	41	41	22
ZN11702020	1" 1/4 NPT	1" 1/4 NPSM	52	41	50	25
ZN11702424	1" 1/2 NPT	1" 1/2 NPSM	64	50	55	32

Adaptadores NPT

Uniones rectas macho-hembra

Adaptador macho UNF - hembra giratoria NPSM



Artículo	R1	R2	L	ØC	HEX 1	HEX 2
ZN11740404	1/4" 18h NPSM	7/16" 20h UNF	22,5	4	14	19
ZN11740606	3/8" 18h NPSM	9/16" 18h UNF	29,5	7	19	22
ZN11740608	1/2" 14h NPSM	9/16" 18h UNF	31,5	7	19	27
ZN11740808	1/2" 14h NPSM	3/4" 16h UNF	33	9,5	22	27
ZN11740812	3/4" 14h NPSM	3/4" 16h UNF	35,5	10	27	32
ZN11741008	1/2" 14h NPSM	7/8" 14h UNF	36	9,5	24	27
ZN11741012	3/4" 14h NPSM	7/8" 14h UNF	38,5	15	27	32
ZN11741212	3/4" 14h NPSM	1"1/16 12h UNF	44,5	15	32	32
ZN11741616	1" 11 1/2h NPSM	1"5/16 12h UNF	46,5	19	41	41
ZN11742020	1"1/4 11-1/2h NPSM	1"5/8 12h UNF	48,5	26	46	50