

Mangueras industriales

Industrial hoses
Tuyaux industriels
Tubi industriali

1



Racores industriales

Industrial fittings
Raccords industriels
Raccordi industriali

2



Inox Corrugado

Stainless steel hose, welding fittings and flanges
Tuyau Inox, raccords et brides à souder
Tubi Inox, raccordi e flange a saldare

3



Baja presión

Low pressure
Basse pression
Tubi a bassa pressione

4



Aire acondicionado

Air conditioning hoses and fittings
Climatisation
Aria condizionata

5



Manguera industrial INDUSTRΔle® 134

Industrial hoses INDUSTRΔle®
Tuyaux industriels INDUSTRΔle®
Tubi industriali INDUSTRΔle®

Manguera industrial TrΔle® GREENLINE 139

Industrial hoses TrΔle® GREENLINE
Tuyaux industriels TrΔle® GREENLINE
Tubi industriali TRΔLE® GREENLINE



01

MANGUERAS INDUSTRIALES

Industrial hoses

Tuyaux industriels

Tubi industriali

Manguera industrial INDUSTRΔle®

Industrial hoses INDUSTRΔle®
Tuyaux industriels INDUSTRΔle®
Tubi industriali INDUSTRΔle®

Mangueras aire-agua ▪ Air-water hoses ▪ Tuyaux air-eau ▪ Tubo acqua-aria | 134



M8000

MM20

MI0101

MF80

MA1220

MI0102

MI0103

Mangueras hidrocarburos ▪ Hydrocarbon hoses ▪ Tuyaux pour hydrocarbures ▪ Tubo idrocarburi | 135



MI0401

MI0404

MI0403

M7000

ML7010

MSB21

Mangueras soldadura ▪ Welding hoses ▪ Tuyaux pour soudure ▪ Tubi saldatura | 136



MI0603

MI0602

MI0601

Mangueras abrasivas ▪ Abrasive hoses ▪ Tuyaux abrasifs ▪ Tubo abrasivo | 137



MI0301

MI0302

MI0303

MI0305

Mangueras productos químicos ▪ Chemical product hoses ▪ Tuyaux pour produits chimiques ▪ Tubo prodotti chimici | 137



MI0701

MI0702

Mangueras alimentarias ▪ Food hoses ▪ Tuyaux alimentaires ▪ Tubo alimentare | 138



MAS

MI0205

MI0206

Manguera industrial TrΔle® GREENLINE

Industrial hoses TrΔle® GREENLINE
Tuyaux industriels TrΔle® GREENLINE
Tubi industriali TRΔLE® GREENLINE

Mangueras aire-agua ▪ Air-water hoses ▪ Tuyaux air-eau ▪ Tubo acqua-aria

139



MW8000

MW1010

MWA1220

Mangueras hidrocarburos ▪ Hydrocarbon hoses ▪ Tuyaux pour hydrocarbures ▪ Tubo idrocarburi

139



MW7000

INDUSTRIAL
HOSES

INDUSTRIAL
FITTINGS

STAINLESS STEEL HOSE,
WELDING FITTINGS & FLANGES

LOW PRESSURE

AIR CONDITIONING HOSES
AND FITTINGS

Manguera industrial INDUSTRΔle®

Industrial hoses INDUSTRΔle®
Tuyaux industriels INDUSTRΔle®
Tubi industriali INDUSTRΔle®

Ariaform aire comprimido y agua-impulsión

Compressed Air hose - impulsion

Ariaform refoulement air comprimé et de l'eau

Tubo aria compressa - mandata



Ø INT. Ø INNER	Ø ext Ø outer	Referencia Part n°	€
6	14	M80000614	
8	15	M80000817	
10	17	M80001017	
13	21	M80001321	
16	26	M80001626	
19	29	M80001929	

Polivalente serie continua

Multi-function. Continuous serie

Tuyau polyvalent air/eau

Polivalente.Serie continua



Ø INT. Ø INNER	Ø ext Ø outer	Referencia Part n°	€
8	15	MM2008	
10	17	MM2010	
13	21	MM2013	
16	24	MM2016	
19	27	MM2019	
25	34	MM2025	
32	44	MM2032	
38	50	MM2038	

Aspiración agua 10 bar

Water suction hose 10 bar

Tuyau aspiration eau 10 bar

Tubo aspirazione acqua 10 bar



Ø INT. Ø INNER	Ø ext Ø outer	Referencia Part n°	€
25	35	MIO1011025	
30	40	MIO1011030	
32	42	MIO1011032	
35	45	MIO1011035	
38	48	MIO1011038	
40	50	MIO1011040	
51	62	MIO1011051	
60	71	MIO1011060	
63,5	76	MIO1011063.5	
70	82	MIO1011070	
76	88	MIO1011076	
80	92	MIO1011080	
90	102	MIO1011090	
102	117	MIO1011102	

Fumigación serie continua

Fumigation hose. Continuous serie

Tuyau fumigation

Fumigazione. Serie continua



Ø INT. Ø INNER	Ø ext Ø outer	Referencia Part n°	€
12,5	21	MF8012	

Aire comprimido y agua - impulsión

Compressed air and water impulsion

Air comprimé et eau- impulsion

Aria compressa e acqua - mandata



Ø INT. Ø INNER	Ø ext Ø outer	Referencia Part n°	€
25	35		
32	45		
38	51		
51	64		
63,5	79,5		
75	91		

Vapor 18 bar, limpieza industrial 210°C

Steam hose 18 bar, industrial cleaning, 210°C

Tuyau vapeur 18 bar, nettoyage industriel 210°C

Vapore 18 bar, lavaggio industriale 210°C



Ø INT. Ø INNER	Ø ext Ø outer	Referencia Part n°	€
13,5	24,5	MIO1021713	
18	31	MIO1021719	
25	38	MIO1021725	
32	45	MIO1021732	
38	53	MIO1021738	
50,8	67	MIO1021751	
76,2	93	MIO1021776	

Vapor 7 bar EPDM blanco FDA - limpieza industrial

Steam hose 7 bar, white EPDM FDA industrial cleaning

Tuyau vapeur 7 bar EPDM blanc FDA nettoyage industriel

Tubo vapore 7 bar EPDM bianco FDA pulizia industriale



Ø INT. Ø INNER	Ø ext Ø outer	Referencia Part n°	€
13	23	MIO1030713	
16	26	MIO1030716	
19	31	MIO1030719	
25	37	MIO1030725	

Manguera industrial INDUSTRΔle®

Industrial hoses INDUSTRΔle®
Tuyaux industriels INDUSTRΔle®
Tubi industriali INDUSTRΔle®

Manguera hidrocarburos 10 bar impulsión

Hydrocarbons hose 10 bar discharge

Tuyau pour hydrocarbures 10 bar impulsion

Tubo idrocarburi 10 bar -mandata



Ø INT. Ø INNER	Ø ext Ø outer	Referencia Part n°	€
6	12	MI04011006	
8	14	MI04011008	
10	17	MI04011010	
13	20	MI04011013	
16	23	MI04011016	
19	27	MI04011019	
25	35	MI04011025	
32	42	MI04011032	

Manguera hidrocarburos 20 bar impulsión

Hydrocarbons hose 20 bar discharge

Tuyau pour hydrocarbures 20 bar impulsion

Tubo idrocarburi 20 bar -mandata



Ø INT. Ø INNER	Ø ext Ø outer	Referencia Part n°	€
6	12	MI04042006	
8	15	MI04042008	
10	17	MI04042010	
13	20	MI04042013	
16	24	MI04042016	
19	28	MI04042019	
25	35	MI04042025	
32	42	MI04042032	

Manguera hidrocarburos 10 bar aspiración

Hydrocarbons hose 10 bar aspiration

Tuyau pour hydrocarbures 10 bar aspiration

Tubo aspirazione 10 bar idrocarburi



Ø INT. Ø INNER	Ø ext Ø outer	Referencia Part n°	€
19	29	MI040310019	
25	35	MI040310025	
32	42	MI040310032	
38	48	MI040310038	
51	61,8	MI040310051	
63	75	MI040310063	
76	89	MI040310076	
101,4	115,4	MI040310102	

Manguera CarbuCORD 16 bar

CarbuCORD hose 16 bar

Tuyau CarbuCORD 16 bar

Tubo CarbuCORD 16 bar



Ø EXT. Ø OUTER	Ø INT. Ø INNER	Referencia Part n°	€
42	30	M70003041	
44	32	M70003243	
55	40	M70004054	
65	50	M70005064	

Manguera SAE 100 R4

SAE 100 R4 hose

Tuyau SAE 100 R4

Tubo R4 SAE 100



DN	Referencia Part n°	€
3/4"	ML701019	*
1"	ML701025	*
1"1/4	ML701032	*
1"1/2	ML701038	*
2"	ML701050	*
2"1/2	ML701063	*

*Ver precios en página 16 / *See prices page 16 / *Voir les prix page 16 / *Vedere prezzi p.16

Manguera EN 854 1TE / SAE 100 R6

EN 854 1TE / SAE 100 R6 Hose

Tuyau EN 854 1TE / SAE 100 R6

Tubi EN 854 1TE / SAE 100 R6



DN	Referencia Part n°	€
1/4"	MSB2104	*
5/16"	MSB2105	*
3/8"	MSB2106	*
1/2"	MSB2108	*
5/8"	MSB2110	*
3/4"	MSB2112	*
1"	MSB2116	*

*Ver precios en página 16 / *See prices page 16 / *Voir les prix page 16 / *Vedere prezzi p.16

Manguera industrial INDUSTRΔle®

Industrial hoses INDUSTRΔle®
Tuyaux industriels INDUSTRΔle®
Tubi industriali INDUSTRΔle®

Soldadura acetileno

Welding hose acetylene

Tuyau pour soudure - acétylène

Tubo saldatura-acetileno



Ø INT. Ø INNER	Ø ext Ø outer	Referencia Part n°	€
6,3	13,3	MI06030603	
8	15	MI06030803	
10	17	MI06031003	

Bitubo (soldadura) oxígeno-acetileno

Twin welding hose - oxygene-acetylene

Tuyau pour soudure jumelé - oxygène-acétylène

Bitubo saldatura -ossigeno-acetileno



Ø INT. Ø INNER	Ø ext Ø outer	Referencia Part n°	€
6,3	12,3	MI0601060612	
8	14	MI0601080814	
10	16	MI0601101016	

Soldadura oxígeno

Welding hose - oxygene

Tuyau pour soudure - oxygène

Tubo saldatura-ossigeno



Ø INT. Ø INNER	Ø ext Ø outer	Referencia Part n°	€
6,3	13,3	MI06020603	
8	15	MI06020803	
10	17	MI06021003	

Manguera industrial INDUSTRΔle®

Industrial hoses INDUSTRΔle®
Tuyaux industriels INDUSTRΔle®
Tubi industriali INDUSTRΔle®

Chorro de arena - impulsión 12 bar

Sandblast hose - impulsion 12 bar

Tuyau sablage - refoulement 12 bar

Tubo scarico - sabbia 12 bar



Ø INT. Ø INNER	Ø ext Ø outer	Referencia Part n°	€
13	27	MI030112013	
19	33	MI030112019	
25	39	MI030112025	
32	48	MI030112032	
38	54	MI030112038	
42	56	MI030112042	

Abrasiva 10 bar aspiración

Abrasive hose - suction 10 bar

Tuyau abrasif - aspiration 10 bar

Tubo abrasivo - aspirazione 10 bar



Ø INT. Ø INNER	Ø ext Ø outer	Referencia Part n°	€
51	65	MI030210051	
60	75	MI030210060	
63.5	79	MI030210063	
76	92	MI030210076	
80	96	MI030210080	
102	118	MI030210102	

Abrasiva 4 bar impulsión

Abrasive hose - delivery 4 bar

Tuyau abrasif - refoulement 4 bar

Tubo abrasivo - scarico 4 bar



Ø INT. Ø INNER	Ø ext Ø outer	Referencia Part n°	€
90	100	MI030305090	
102	112	MI030305102	
110	120	MI030305110	
127	137	MI030305127	
152	162	MI030305152	
203	213	MI030305203	

Abrasiva impulsión 40 bar

Abrasive hose 40 bar

Tuyau abrasif 40 bar

Tubo abrasivo 40 bar



Ø INT. Ø INNER	Ø ext Ø outer	Referencia Part n°	€
25	37	MI030540025	
32	46	MI030540032	
35	49	MI030540035	
38	54	MI030540038	
50	66	MI030540050	
65	83	MI030540065	
76	98	MI030540076	
102	125	MI030540102	

Productos químicos 16 bar EPDM

Chemical products hose 16 bar EPDM

Tuyau produits chimiques 16 bar EPDM

Tubo prodotti chimici 16 bar EPDM



Ø INT. Ø INNER	Ø ext Ø outer	Referencia Part n°	€
19	31	MI070116019	
25	37	MI070116025	
32	44	MI070116032	
38	51	MI070116038	
51	67	MI070116051	
63	79	MI070116063	

Productos químicos 16 bar Polietileno/UPE

Chemical products hose 16 bar Polyethylene /UPE

Tuyau produits chimiques 16 bar Polyéthilène /UPE

Prodotti chimici 16 bar Polietilene/UPE



Ø INT. Ø INNER	Ø ext Ø outer	Referencia Part n°	€
19	31	MI070216019	
25	37	MI070216025	
32	44	MI070216032	
38	51	MI070216038	
50	66	MI070216050	
63	79	MI070216063	
75	91	MI070216075	
100	116	MI070216100	

Manguera industrial INDUSTRΔle®

Industrial hoses INDUSTRΔle®
Tuyaux industriels INDUSTRΔle®
Tubi industriali INDUSTRΔle®

Manguera alimentaria polivalente FDA 10 bar

Multi-function food hose FDA 10 bar

Tuyau alimentaire polyvalent FDA 10 bar

Tubo alimentare polivalente FDA 10 bar



Ø INT. Ø INNER	Ø ext Ø outer	Referencia Part n°	€
25,4	38	MAS025	
32	45	MAS032	
38	52	MAS038	
50,8	66	MAS051	
63,5	78	MAS063	
76,2	93	MAS076	

Bebidas alcohólicas máx. 40% FDA 10 bar

Alcoholic beverages max. 40% FDA 10 bar

Boissons alcoolisées max. 40% bar FDA 10

Bibite alcoliche max. 40% FDA 10 bar



Ø INT. Ø INNER	Ø ext Ø outer	Referencia Part n°	€
25	37	MI020610025	
38	50	MI020610038	
51	63	MI020610051	
76	88	MI020610076	

Leche anti-extrusión espiral poliamida 10 bar

Milk hose anti-extrusion polyamide spiral 10 bar

Tuyau à lait anti-extrusion spirale polyamide 10 bar

Tubo latte anti-estrusione spirale poliammide 10 bar



Ø INT. Ø INNER	Ø ext Ø outer	Referencia Part n°	€
25	38	MI020510025	
32	45	MI020510032	
38	52	MI020510038	
51	66	MI020510051	
63	78	MI020510063	
76	93	MI020510076	

Manguera industrial TrΔle® GREENLINE

Industrial hoses TrΔle® GREENLINE
Tuyaux industriels TrΔle® GREENLINE
Tubi industriali TrΔle® GREENLINE

Aire comprimido y agua-impulsión

Compressed air and water impulsion

Air comprimé et eau-impulsion

Aria compressa e acqua - mandata



Ø INT. Ø INNER	Ø ext Ø outer	Referencia Part n°	€
6	14	MW80000614	
8	15	MW80000815	
10	17	MW80001017	
13	21	MW80001321	

Aspiración agua 10 bar

Water suction hose 10 bar

Tuyau aspiration eau 10 bar

Tubo aspirazione acqua 10 bar



Ø INT. Ø INNER	Ø ext Ø outer	Referencia Part n°	€
25	36,5	MWI01011025	
32	44	MWI01011032	
38	50	MWI01011038	
51	63	MWI01011051	

Agua y aire comprimido- impulsión

Water and compressed air impulsion

Eau et air comprimé-impulsion

Acqua e aria compressa - mandata



Ø INT. Ø INNER	Ø ext Ø outer	Referencia Part n°	€
25	35	MWA122025	
32	43,2	MWA122032	
38	49,2	MWA122040	
51	63,4	MWA122051	

Manguera hidrocarburos 16 bar

Hydrocarbons hose 16 bar

Tuyau pour hydrocarbures 16 bar

Tubo idrocarburi 16 bar



Ø INT. Ø INNER	Ø ext Ø outer	Referencia Part n°	€
32	42	MW70003243	
40	50	MW70004054	
51	62	MW70005064	

CAMLOCK DIN EN 14420-7 148

CAMLOCK DIN EN 14420-7
Raccords DIN EN 14420-7
Raccordi CAMLOCK DIN EN 14420-7

Acoples GEKA 163

GEKA Fittings
Raccords GEKA
Raccordi GEKA

Acoples GUILLEMIN NF E-29572 154

GUILLEMIN NF E-29572
Raccords GUILLEMIN NF E-29572
Raccordi GUILLEMIN NF E-29572

Acoples CAMLOCK MORTERO 164

MORTAR CAMLOCK Fittings
Raccords MORTIER CAMLOCK
Raccordi CAMLOCK MORTAIO

Acoples TW DIN 28450 156

TW DIN 28450 Fittings
Raccords TW DIN 28450
Raccordi TW DIN 28450

Acoples CHORRO DE ARENA 165

SANDBLAST Fittings
Raccords SABLAGE
Raccordi per SABBIAIURA

Acople BARCELONA UNE 23400 158

BARCELONA UNE 23400 Fittings
Raccords BARCELONA UNE 23400
Raccordi BARCELONA UNE 23400

Acoples BAUER 167

BAUER Fittings
Raccords BAUER
Raccordi BAUER

Acoples STORZ DIN 1430 159

STORZ DIN 1430 Fittings
Raccords STORZ DIN 1430
Raccordi STORZ DIN 1430

Acoples PERROT 168

PERROT Fittings
Raccords PERROT
Raccordi PERROT

Acoples EA DIN 3489 160

EA DIN 3489 Fittings
Raccords EA DIN 3489
Raccordi EA DIN 3489

Acoples vapor tipo BOSS 169

Steam fittings BOSS type
Raccords vapeur type BOSS
Raccordi per vapore tipo BOSS

Acoples UA CHICAGO 161

UA CHICAGO Fittings
Raccords UA CHICAGO
Raccordi UA CHICAGO

Acoples vapor EN 14423 170

Steam EN 14423 fittings
Raccords vapeur EN 14423
Raccordi per vapore EN 14423

Acoples EXPRESS NF E-29-573 162

EXPRESS NF E-29-573 Fittings
Raccords EXPRESS NF E-29-573
Raccordi EXPRESS NF E-29-573

Accesorios industriales 171

Industrial accessories
Accessoires industriels
Accessori industriale



02

RACORES INDUSTRIALES

Industrial fittings

Raccords industriels

Raccordi industriali

CAMLOCK DIN EN 14420-7

CAMLOCK DIN EN 14420-7
Raccords DIN EN 14420-7
Raccordi CAMLOCK DIN EN 14420-7

CAMLOCK aluminio ▪ CAMLOCK Unions aluminum ▪ Raccords CAMLOCK aluminium ▪ Raccordi CAMLOCK alluminio | 148



ALA ALB ALC ALD ALE ALF ALDC ALDP

CAMLOCK latón ▪ CAMLOCK Unions brass ▪ Raccords CAMLOCK laiton ▪ Raccordi CAMLOCK ottone | 150



BPA BPB BPC BPD BPE BPF BDDP

CAMLOCK PP ▪ CAMLOCK Unions PP ▪ Raccords CAMLOCK PP ▪ Raccordi CAMLOCK polipropilene | 152



PPA PPB PPC PPD PPE PPF PPDC PPDP

Juntas CAMLOCK ▪ CAMLOCK Seals ▪ Joints CAMLOCK ▪ Guarnizioni per Camlock | 153



JCAMNBR JCAMS

Acoples GUILLEMIN NF E-29572

GUILLEMIN NF E-29572
Raccords GUILLEMIN NF E-29572
Raccordi GUILLEMIN NF E-29572

GUILLEMIN aluminio ▪ GUILLEMIN aluminum ▪ GUILLEMIN aluminium ▪ GUILLEMIN alluminio | 154



ALGU01C ALGU02C ALGU01S ALGU02S ALGU04C ALGU03C ALGU04S ALGU05C

Juntas para GUILLEMIN ▪ Seals for GUILLEMIN ▪ Joints pour GUILLEMIN ▪ Guarnizioni per GUILLEMIN | 155



NBRGU

Acoples TW DIN 28450

TW DIN 28450 Fittings
Raccords TW DIN 28450
Raccordi TW DIN 28450

TW Latón ▪ TW brass ▪ TW laiton ▪ TW Ottone | 156



BRMK

BRVK

BRMB

BRVB

TW aluminio ▪ TW aluminum ▪ TW aluminium ▪ TW alluminio | 156



ALMB

ALVB

Juntas labiales para MK ▪ U-seals for MK ▪ Joints à lèvres pour MK ▪ U-seals per MK | 157



NBRMK

FPMMK

Juntas planas roscadas para VK, MK ▪ Flat seals for TW VK ▪ Joints plats pour TW VK ▪ Guarnizioni piate per TW VK, MB | 157



NBRTWR

PTFEEWR

Juntas planas para MB ▪ Flat seals for MB ▪ Joints plats pour MB ▪ Guarnizioni piate per MB | 157



CSMMB

Juntas toricas para MK y MB ▪ ORING MK ▪ ORING MK ▪ ORING MK | 157



NBRTW

FPMTW

Acople BARCELONA UNE 23400

BARCELONA UNE 23400 Fittings
Raccords BARCELONA UNE 23400
Raccordi BARCELONA UNE 23400

BARCELONA Aluminio ▪ BARCELONA aluminium ▪ BARCELONA aluminium ▪ BARCELONA Alluminio | 158



ALBA01



ALBA03



ALBA05



ALBA02



ALBA04

Juntas BARCELONA ▪ BARCELONA seals ▪ Joints BARCELONA ▪ Guarnizioni BARCELONA | 158



NBRBA

Acoples STORZ DIN 1430

STORZ DIN 1430 Fittings
Raccords STORZ DIN 1430
Raccordi STORZ DIN 1430

STORZ aluminio DIN 1430 ▪ STORZ aluminium DIN 1430 ▪ STORZ aluminium DIN 1430 ▪ STORZ alluminio DIN 1430 | 159



ALST01



ALST03



ALST05



ALST02



ALST04

Juntas STORZ ▪ STORZ Seals ▪ STORZ Joints ▪ Guarnizioni STORZ | 159



NBRST

Acoples EA DIN 3489

EA DIN 3489 Fittings
Raccords EA DIN 3489
Raccordi EA DIN 3489

EA acero ▪ EA steel ▪ EA acier ▪ EA acciaio | 160



EA01



EA02



EA04



EA05

Juntas EA ▪ EA seals ▪ Joints EA ▪ Guarnizioni EA | 160



NBRPEA

Acoples UA CHICAGO

UA CHICAGO Fittings
Raccords UA CHICAGO
Raccordi UA CHICAGO

UA CHICAGO ACERO ▪ UA CHICAGO steel ▪ UA CHICAGO acier ▪ UA CHICAGO acciaio

| 161



UA01

UA02

UA04

UA05

JUNTAS UA CHICAGO ▪ UA CHICAGO seals ▪ Joints UA CHICAGO ▪ Guarnizioni UA CHICAGO

| 161



NBRUA

Acoples EXPRESS NF E-29-573

EXPRESS NF E-29-573 Fittings
Raccords EXPRESS NF E-29-573
Raccordi EXPRESS NF E-29-573

EXPRESS latón ▪ EXPRESS brass ▪ EXPRESS laiton ▪ EXPRESS ottone

| 162



BREX01

BREX02

BREX04

BREX05

Juntas EXPRESS ▪ EXPRESS seals ▪ Joints EXPRESS ▪ Guarnizioni EXPRESS

| 162



NBREX

Acoples GEKA

GEKA Fittings
Raccords GEKA
Raccordi GEKA

GEKA latón ▪ GEKA brass ▪ GEKA laiton ▪ GEKA ottone

| 163



BRGE01

BRGE02

BRGE04

BRGE05

Juntas GEKA ▪ GEKA seals ▪ Joints GEKA ▪ Guarnizioni GEKA

| 163



NBRGE

Acoples CAMLOCK MORTERO

MORTAR CAMLOCK Fittings
Raccords MORTIER CAMLOCK
Raccordi CAMLOCK MORTAIO

CAMLOCK MORTERO acero carbono ▪ Carbon steel MORTAR CAMLOCK ▪ CAMLOCK MORTIER acier carbone ▪ CAMLOCK MORTAIO acciaio al carbonio

164



MT22A



MT22C



MT22D



MT22E

Acoples CHORRO DE ARENA

SANDBLAST Fittings
Raccords SABLAGE
Raccordi per SABBIATURA

CHORRO DE ARENA aluminio ▪ SANDBLAST aluminum ▪ SABLAGE aluminium ▪ SABBIATURA alluminio

165



ALCH05



ALCH01



ALCH07

CHORRO DE ARENA latón ▪ SANDBLAST brass ▪ SABLAGE laiton ▪ SABBIATURA ottone

165



BRCH05



BRCH01



BRCH07

CHORRO DE ARENA nylon ▪ SANDBLAST nylon ▪ SABLAGE nylon ▪ SABBIATURA Nylon

166



NYCH05



NYCH01



NYCH07

Juntas CHORRO DE ARENA ▪ SANDBLAST Seals ▪ SABLAGE Joints ▪ SABBIATURA Guarnizioni

166



NBRCH

Acoples BAUER

BAUER Fittings
Raccords BAUER
Raccordi BAUER

BAUER acero ▪ BAUER carbon steel ▪ BAUER acier ▪ BAUER acciaio

167



BEF



BEM

JUNTA BAUER ▪ BAUER seals ▪ Joints BAUER ▪ Guarnizioni BAUER

167



NBRBE

Acoples PERROT

PERROT Fittings
Raccords PERROT
Raccordi PERROT

PERROT acero ▪ PERROT carbon steel ▪ PERROT acier ▪ PERROT acciaio

| 168



PEF

PEM

Juntas PERROT ▪ PERROT seals ▪ Joints PERROT ▪ Guarnizioni PERROT

| 168



NBRPE

Acoples vapor tipo BOSS

Steam fittings BOSS type
Raccords vapeur type BOSS
Raccordi per vapore tipo BOSS

BOSS acero ▪ BOSS carbon steel ▪ BOSS acier ▪ BOSS acciaio

| 169



B01_3

Acoples vapor EN 14423

Steam EN 14423 fittings
Raccords vapeur EN 14423
Raccordi per vapore EN 14423

EN 144423 acero carbono ▪ EN 14423 steel fittings ▪ Raccords EN 14423 acier ▪ Raccordi EN 14423 acciaio

| 170



AB06

STE01

STE02

Accesorios industriales

Industrial accessories
Accessoires industriels
Accessori industriale

Campana para racor industrial ▪ Crimping Ferrule for industrial fitting ▪ Jupe pour raccord industriel ▪ Boccola per raccordo industriale

| 171



ALCA

Abrazadera para racor industrial ▪ Clamp for industrial fitting ▪ Collier pour raccord industriel ▪ Collare per raccordo industriale

| 171



ALAB01

AB03

AB05

AB04

AB02

CAMLOCK DIN EN 14420-7

CAMLOCK DIN EN 14420-7

Raccords DIN EN 14420-7

Raccordi CAMLOCK DIN EN 14420-7

CAMLOCK alluminio macho - rosca hembra BSP Tipo A

CAMLOCK aluminum male - female threaded BSP Type A

CAMLOCK aluminium -adaptateur mâle - filetage femelle Type A

Tipo A alluminio: Camlock maschio - filetto femmina BSP



DN	ROSCA THREAD	Referencia Part n°	€
12	1/2"	ALA012	
20	3/4"	ALA020	
25	1"	ALA025	
32	1" 1/4	ALA032	
40	1" 1/2	ALA040	
50	2"	ALA050	
65	2" 1/2	ALA065	
80	3"	ALA080	
100	4"	ALA100	

CAMLOCK alluminio hembra - rosca hembra BSP Tipo D

CAMLOCK aluminum female - female threaded BSP Type D

CAMLOCK aluminium -adaptateur femelle Type D

Tipo D alluminio: Camlock femmina - filetto femmina BSP



DN	ROSCA THREAD	Referencia Part n°	€
12	1/2"	ALD012	
20	3/4"	ALD020	
25	1"	ALD025	
32	1" 1/4	ALD032	
40	1" 1/2	ALD040	
50	2"	ALD050	
65	2" 1/2	ALD065	
80	3"	ALD080	
100	4"	ALD100	

CAMLOCK alluminio hembra - rosca macho BSPT Tipo B

CAMLOCK aluminum female - male threaded BSPT Type B

CAMLOCK aluminium -adaptateur femelle - filetage mâle Type B

Tipo B alluminio: Camlock femmina - filetto maschio BSPT



DN	ROSCA THREAD	Referencia Part n°	€
12	1/2"	ALB012	
20	3/4"	ALB020	
25	1"	ALB025	
32	1" 1/4	ALB032	
40	1" 1/2	ALB040	
50	2"	ALB050	
65	2" 1/2	ALB065	
80	3"	ALB080	
100	4"	ALB100	

CAMLOCK alluminio macho - para manguera Tipo E

CAMLOCK aluminum male - serrated hose shank Type E

CAMLOCK aluminium -coupleur mâle Type E

Tipo E alluminio: Camlock maschio con inserto per tubo



DN	MANGUERA HOSE	Referencia Part n°	€
12	1/2"	ALE012	
20	3/4"	ALE020	
25	1"	ALE025	
32	1" 1/4	ALE032	
40	1" 1/2	ALE040	
50	2"	ALE050	
65	2" 1/2	ALE065	
80	3"	ALE080	
100	4"	ALE100	

CAMLOCK alluminio hembra - para manguera Tipo C

CAMLOCK aluminum female - serrated hose shank Type C

CAMLOCK aluminium -coupleur femelle Type C

Tipo C alluminio: Camlock femmina con inserto per tubo



DN	MANGUERA HOSE	Referencia Part n°	€
12	1/2"	ALC012	
20	3/4"	ALC020	
25	1"	ALC025	
32	1" 1/4	ALC032	
40	1" 1/2	ALC040	
50	2"	ALC050	
65	2" 1/2	ALC065	
80	3"	ALC080	
100	4"	ALC100	

CAMLOCK alluminio macho - rosca macho BSPT Tipo F

CAMLOCK aluminum male - male threaded BSPT Type F

CAMLOCK aluminium -adaptateur mâle Type F

Tipo F alluminio: Camlock maschio - filetto maschio BSPT



DN	ROSCA THREAD	Referencia Part n°	€
12	1/2"	ALF012	
20	3/4"	ALF020	
25	1"	ALF025	
32	1" 1/4	ALF032	
40	1" 1/2	ALF040	
50	2"	ALF050	
65	2" 1/2	ALF065	
80	3"	ALF080	
100	4"	ALF100	

CAMLOCK DIN EN 14420-7

CAMLOCK DIN EN 14420-7
Raccords Din EN 14420-7
Raccordi CAMLOCK DIN EN 14420-7

CAMLOCK aluminio hembra - tapón Tipo DC

CAMLOCK aluminum cap Type DC

CAMLOCK aluminium -bouchon femelle Type DC

Tipo DC alluminio: tappo Camlock femmina



DN	Referencia Part n°	€
12	ALDC012	
20	ALDC020	
25	ALDC025	
32	ALDC032	
40	ALDC040	
50	ALDC050	
65	ALDC065	
80	ALDC080	
100	ALDC100	

CAMLOCK aluminio macho - tapón tipo DP

CAMLOCK aluminum male - plug Type DC

CAMLOCK aluminium -bouchon mâle Type DP

Tipo DP alluminio: tappo Camlock maschio



DN	Referencia Part n°	€
12	ALDP012	
20	ALDP020	
25	ALDP025	
32	ALDP032	
40	ALDP040	
50	ALDP050	
65	ALDP065	
80	ALDP080	
100	ALDP100	

CAMLOCK DIN EN 14420-7

CAMLOCK DIN EN 14420-7

Raccords DIN EN 14420-7

Raccordi CAMLOCK DIN EN 14420-7

CAMLOCK latón macho - rosca hembra Tipo A

CAMLOCK brass -adaptor, female threaded Type A

CAMLOCK laiton -adapteur mâle - filetage femelle Type A

Tipo A ottone: Camlock maschio - filetto femmina BSP



DN	ROSCA THREAD	Referencia Part n°	€
12	1/2"	BRA012	
20	3/4"	BRA020	
25	1"	BRA025	
32	1" 1/4	BRA032	
40	1" 1/2	BRA040	
50	2"	BRA050	
65	2" 1/2	BRA065	
80	3"	BRA080	
100	4"	BRA100	

CAMLOCK latón hembra - rosca macho Tipo B

CAMLOCK brass -coupling, male threaded Type B

CAMLOCK laiton -adapteur femelle - filetage mâle Type B

Tipo B ottone: Camlock femmina - filetto maschio BSPT



DN	ROSCA THREAD	Referencia Part n°	€
12	1/2"	BRB012	
20	3/4"	BRB020	
25	1"	BRB025	
32	1" 1/4	BRB032	
40	1" 1/2	BRB040	
50	2"	BRB050	
65	2" 1/2	BRB065	
80	3"	BRB080	
100	4"	BRB100	

CAMLOCK latón hembra para manguera Tipo C

CAMLOCK brass -coupling with serrated hose shank Type C

CAMLOCK laiton -coupleur femelle Type C

Tipo C ottone: Camlock femmina con inserto per tubo



DN	MANGUERA HOSE	Referencia Part n°	€
12	1/2"	BRC012	
20	3/4"	BRC020	
25	1"	BRC025	
32	1" 1/4	BRC032	
40	1" 1/2	BRC040	
50	2"	BRC050	
65	2" 1/2	BRC065	
80	3"	BRC080	
100	4"	BRC100	

CAMLOCK latón hembra BSP Tipo D

CAMLOCK brass -coupling, female threaded Type D

CAMLOCK laiton -adapteur femelle Type D

Tipo D ottone: Camlock femmina - filetto femmina BSP



DN	ROSCA THREAD	Referencia Part n°	€
12	1/2"	BRD012	
20	3/4"	BRD020	
25	1"	BRD025	
32	1" 1/4	BRD032	
40	1" 1/2	BRD040	
50	2"	BRD050	
65	2" 1/2	BRD065	
80	3"	BRD080	
100	4"	BRD100	

CAMLOCK latón macho para manguera Tipo E

CAMLOCK brass -adaptor, with serrated hose shank Type E

CAMLOCK laiton -coupleur mâle Type E

Tipo E ottone: Camlock maschio con inserto per tubo



DN	MANGUERA HOSE	Referencia Part n°	€
12	1/2"	BRE012	
20	3/4"	BRE020	
25	1"	BRE025	
32	1" 1/4	BRE032	
40	1" 1/2	BRE040	
50	2"	BRE050	
65	2" 1/2	BRE065	
80	3"	BRE080	
100	4"	BRE100	

CAMLOCK latón macho BSPT Tipo F

CAMLOCK brass -adaptor, male threaded Type F

CAMLOCK laiton -adapteur mâle Type F

Tipo F ottone: Camlock maschio - filetto maschio BSPT



DN	ROSCA THREAD	Referencia Part n°	€
12	1/2"	BRF012	
20	3/4"	BRF020	
25	1"	BRF025	
32	1" 1/4	BRF032	
40	1" 1/2	BRF040	
50	2"	BRF050	
65	2" 1/2	BRF065	
80	3"	BRF080	
100	4"	BRF100	

CAMLOCK DIN EN 14420-7

CAMLOCK DIN EN 14420-7
Raccords DIN EN 14420-7
Raccordi CAMLOCK DIN EN 14420-7

CAMLOCK latón hembra -tapón Tipo DC

CAMLOCK brass - cap Type DC

CAMLOCK laiton -bouchon femelle Type DC

Tipo DC ottone: tappo Camlock femmina



DN	Referencia Part n°	€
12	BRDC012	
20	BRDC020	
25	BRDC025	
32	BRDC032	
40	BRDC040	
50	BRDC050	
65	BRDC065	
80	BRDC080	
100	BRDC100	

CAMLOCK latón macho -tapón Tipo DP

CAMLOCK brass - plug Type DC

CAMLOCK laiton -bouchon mâle Type DP

Tipo DP ottone: tappo Camlock maschio



DN	Referencia Part n°	€
12	BRDP012	
20	BRDP020	
25	BRDP025	
32	BRDP032	
40	BRDP040	
50	BRDP050	
65	BRDP065	
80	BRDP080	
100	BRDP100	

CAMLOCK DIN EN 14420-7

CAMLOCK DIN EN 14420-7

Raccords DIN EN 14420-7

Raccordi CAMLOCK DIN EN 14420-7

CAMLOCK PP Adaptador macho - rosca hembra Tipo A BSP

CAMLOCK PP-Adaptor, female thread BSP Type A

CAMLOCK PP-Adapteur mâle - filetage femelle Type A BSP

Tipo A polipropilene: Camlock maschio - filetto femmina BSP



DN	ROSCA THREAD	Referencia Part n°	€
12	1/2"	PPA012	
20	3/4"	PPA020	
25	1"	PPA025	
32	1"1/4	PPA032	
40	1"1/2	PPA040	
50	2"	PPA050	
65	2"1/2	PPA065	
80	3"	PPA080	
100	4"	PPA100	

CAMLOCK PP Adaptador hembra - rosca macho Tipo B BSPT

CAMLOCK PP-Coupling, female thread BSPT Type B

CAMLOCK PP-Adapteur femelle - filetage mâle Type B BSPT

Tipo B polipropilene: Camlock femmina - filetto maschio BSPT



DN	ROSCA THREAD	Referencia Part n°	€
12	1/2"	PPB012	
20	3/4"	PPB020	
25	1"	PPB025	
32	1"1/4	PPB032	
40	1"1/2	PPB040	
50	2"	PPB050	
65	2"1/2	PPB065	
80	3"	PPB080	
100	4"	PPB100	

CAMLOCK PP Conexión hembra para manguera Tipo C

CAMLOCK PP-Coupling with serrat hose shank Type C

CAMLOCK PP-Coupleur femelle Type C

Tipo C polipropilene: Camlock femmina con inserto per tubo



DN	MANGUERA HOSE	Referencia Part n°	€
12	1/2"	PPC012	
20	3/4"	PPC020	
25	1"	PPC025	
32	1"1/4	PPC032	
40	1"1/2	PPC040	
50	2"	PPC050	
65	2"1/2	PPC065	
80	3"	PPC080	
100	4"	PPC100	

CAMLOCK PP Adaptador hembra Tipo D BSP

CAMLOCK PP-Coupling, female thread BSP Type D

CAMLOCK PP-Adapteur femelle Tipe D BSP

Tipo D polipropilene: Camlock femmina - filetto femmina BSP



DN	ROSCA THREAD	Referencia Part n°	€
12	1/2"	PPD012	
20	3/4"	PPD020	
25	1"	PPD025	
32	1"1/4	PPD032	
40	1"1/2	PPD040	
50	2"	PPD050	
65	2"1/2	PPD065	
80	3"	PPD080	
100	4"	PPD100	

CAMLOCK PP Conexión macho para manguera Tipo E

CAMLOCK PP-Adaptor, with serrat hose shank Type E

CAMLOCK PP-Coupleur mâle Type E

Tipo E polipropilene: Camlock maschio con inserto per tubo



DN	MANGUERA HOSE	Referencia Part n°	€
12	1/2"	PPE012	
20	3/4"	PPE020	
25	1"	PPE025	
32	1"1/4	PPE032	
40	1"1/2	PPE040	
50	2"	PPE050	
65	2"1/2	PPE065	
80	3"	PPE080	
100	4"	PPE100	

CAMLOCK PP Adaptador macho Tipo F BSPT

CAMLOCK PP-Adaptor, male thread BSPT Type F

CAMLOCK PP-Adapteur mâle Type F BSPT

Tipo F polipropilene: Camlock maschio - filetto maschio BSPT



DN	ROSCA THREAD	Referencia Part n°	€
12	1/2"	PPF012	
20	3/4"	PPF020	
25	1"	PPF025	
32	1"1/4	PPF032	
40	1"1/2	PPF040	
50	2"	PPF050	
65	2"1/2	PPF065	
80	3"	PPF080	
100	4"	PPF100	

CAMLOCK DIN EN 14420-7

CAMLOCK DIN EN 14420-7
Raccords DIN EN 14420-7
Raccordi CAMLOCK DIN EN 14420-7

CAMLOCK PP Tapón hembra Tipo DC

CAMLOCK PP-Caps Type DC

CAMLOCK PP-Bouchon femelle Type DC

Tipo DC polipropilene: tappo Camlock femmina



DN	Referencia Part n°	€
12	PPDC012	
20	PPDC020	
25	PPDC025	
32	PPDC032	
40	PPDC040	
50	PPDC050	
65	PPDC065	
80	PPDC080	
100	PPDC100	

CAMLOCK PP Tapón macho tipo DP

CAMLOCK PP-Plug Type DP

CAMLOCK PP-Bouchon mâle Type DP

Tipo DP polipropilene: tappo Camlock maschio



DN	Referencia Part n°	€
12	PPDP012	
20	PPDP020	
25	PPDP025	
32	PPDP032	
40	PPDP040	
50	PPDP050	
65	PPDP065	
80	PPDP080	
100	PPDP100	

Juntas CAMLOCK NBR

CAMLOCK NBR Seal

Joint CAMLOCK NBR

Guarnizione in NBR per CAMLOCK



	Referencia Part n°	€
12	JCAMNBR012	*
20	JCAMNBR020	*
25	JCAMNBR025	*
32	JCAMNBR032	*
40	JCAMNBR040	*
50	JCAMNBR050	*
65	JCAMNBR065	*
80	JCAMNBR080	*
100	JCAMNBR100	*

*Ver precios en Tarifa Inox / *See prices in Stainless steel Catalogue / *Voir prix dans le Catalogue Acier Inox / *Prezzi in Acciaio Inossidabile

Junta CAMLOCK silicona

CAMLOCK Silicone Seal

Joint CAMLOCK silicône

Guarnizione in silicone per CAMLOCK



	Referencia Part n°	€
12	JCAMS012	*
20	JCAMS020	*
25	JCAMS025	*
32	JCAMS032	*
40	JCAMS040	*
50	JCAMS050	*
65	JCAMS065	*
80	JCAMS080	*
100	JCAMS100	*

*Ver precios en Tarifa Inox / *See prices in Stainless steel Catalogue / *Voir prix dans le Catalogue Acier Inox / *Prezzi in Acciaio Inossidabile

CAMLOCK ACERO INOXIDABLE | STAINLESS STEEL



Para una amplia gama de aplicaciones como agua, petróleo y productos químicos
For a wide range of applications such as water, petroleum and chemical liquids

Acoples GUILLEMIN NF E-29572

GUILLEMIN NF E-29572
Raccords GUILLEMIN NF E-29572
Raccordi GUILLEMIN NF E-29572

GUILLEMIN aluminio con cierre -rosca hembra BSP

GUILLEMIN aluminium with closure-BSP Female thread

GUILLEMIN aluminium avec fermeture-Filetage Femelle BSP

GUILLEMIN alluminio con chiusura -Filetto femmina



DN	ROSCA THREAD	Referencia Part n°	€
20	3/4"	ALGU01C020	
25	1"	ALGU01C025	
32	1" 1/4	ALGU01C032	
40	1" 1/2	ALGU01C040	
50	2"	ALGU01C050	
65	2" 1/2	ALGU01C065	
80	3"	ALGU01C080	
100	4"	ALGU01C100	

GUILLEMIN aluminio con cierre -rosca macho BSP

GUILLEMIN aluminium with closure- BSP Male thread

GUILLEMIN aluminium avec fermeture -Filetage Male BSP

GUILLEMIN alluminio con chiusura-Filetto maschio



DN	ROSCA THREAD	Referencia Part n°	€
20	3/4"	ALGU02C020	
25	1"	ALGU02C025	
32	1" 1/4	ALGU02C032	
40	1" 1/2	ALGU02C040	
50	2"	ALGU02C050	
65	2" 1/2	ALGU02C065	
80	3"	ALGU02C080	
100	4"	ALGU02C100	

GUILLEMIN aluminio sin cierre -rosca hembra BSP

GUILLEMIN aluminium without closure -BSP Female thread

GUILLEMIN aluminium sans fermeture -Filetage Femelle BSP

GUILLEMIN alluminio senza chiusura-Filetto femmina



DN	ROSCA THREAD	Referencia Part n°	€
20	3/4"	ALGU01S020	
25	1"	ALGU01S025	
32	1" 1/4	ALGU01S032	
40	1" 1/2	ALGU01S040	
50	2"	ALGU01S050	
65	2" 1/2	ALGU01S065	
80	3"	ALGU01S080	
100	4"	ALGU01S100	

GUILLEMIN aluminio sin cierre -rosca macho BSP

GUILLEMIN aluminium without closure-BSP Male thread

GUILLEMIN aluminium sans fermeture -Filetage Male BSP

GUILLEMIN alluminio senza chiusura-Filetto maschio



DN	ROSCA THREAD	Referencia Part n°	€
20	3/4"	ALGU02S020	
25	1"	ALGU02S025	
32	1" 1/4	ALGU02S032	
40	1" 1/2	ALGU02S040	
50	2"	ALGU02S050	
65	2" 1/2	ALGU02S065	
80	3"	ALGU02S080	
100	4"	ALGU02S100	

GUILLEMIN aluminio con cierre -tapón

GUILLEMIN aluminium with closure-Plug

GUILLEMIN aluminium avec fermeture -Bouchon

GUILLEMIN alluminio con chiusura-Tappo



DN	Referencia Part n°	€
20	ALGU04C020	
25	ALGU04C025	
32	ALGU04C032	
40	ALGU04C040	
50	ALGU04C050	
65	ALGU04C065	
80	ALGU04C080	
100	ALGU04C100	

GUILLEMIN aluminio con cierre-reductor

GUILLEMIN aluminium with closure-Reducer

GUILLEMIN aluminium avec fermeture -Réduction

GUILLEMIN alluminio con chiusura-Riduzione



DN	Referencia Part n°	€
40-32	ALGU03C040032	
50-40	ALGU03C050040	
65-50	ALGU03C065050	
80-65	ALGU03C080065	
100-80	ALGU03C100080	

GUILLEMIN aluminio sin cierre -tapón

GUILLEMIN aluminium without closure-Plug

GUILLEMIN aluminium sans fermeture-Bouchon

GUILLEMIN alluminio senza chiusura-Tappo



DN	Referencia Part n°	€
32	ALGU04S032	
40	ALGU04S040	
50	ALGU04S050	
65	ALGU04S065	
80	ALGU04S080	
100	ALGU04S100	

Acoples GUILLEMIN NF E-29572

GUILLEMIN NF E-29572
Raccords GUILLEMIN NF E-29572
Raccordi GUILLEMIN NF E-29572

GUILLEMIN aluminio con cierre -para manguera

GUILLEMIN aluminium with closure-For hose

GUILLEMIN aluminium avec fermeture-Pour tuyau

GUILLEMIN alluminio con chiusura-Per tubo



Ø ESPIGA(mm) Ø TAIL (mm)	TAMAÑO SIZE	Referencia Part n°	€
40	40	ALGU05C040040	
45	40	ALGU05C040045	
50	50	ALGU05C050050	
55	50	ALGU05C050055	
65	65	ALGU05C065065	
80	80	ALGU05C080080	
100	100	ALGU05C100100	

GUILLEMIN -junta NBR

GUILLEMIN -NBR joint

GUILLEMIN -joint NBR

GUILLEMIN -Guarnizioni NBR



DN	Referencia Part n°	€
20	NBRGU020	
25	NBRGU025	
32	NBRGU032	
40	NBRGU040	
50	NBRGU050	
65	NBRGU065	
80	NBRGU080	
100	NBRGU100	

GUILLEMIN ACERO INOXIDABLE | STAINLESS STEEL



EN 14420-8 | NF E-29572

Ver ficha técnica | Check technical sheet

Aplicaciones de presión y aspiración en un amplio rango de industrias

Pressure and suction purposes in a wide range of industries

Acoples TW DIN 28450

TW DIN 28450 Fittings
Raccords TW DIN 28450
Raccordi TW Din 28450

TW latón -Rosca hembra - acople hembra BSP

TW brass -Female thread - female coupling

TW laiton -Filetage Femelle - accouplement Femelle

BSP

TW ottone -Filetto femmina- accoppiamento femmina

BSP



DN	Referencia Part n°	€
2"	BRMK05032	
3"	BRMK08048	
4"	BRMK10064	

TW latón -Rosca hembra - acople macho BSP

TW brass -Female thread - male coupling

TW laiton - Filetage Femelle - accouplement Male BSP

TW ottone -Filetto femmina- accoppiamento maschio

BSP



DN	∅	Referencia Part n°	€
2"	70.5	BRVK05032	
3"	102	BRVK08048	
4"	128	BRVK10064	

TW latón -Tapón - acople hembra

TW brass -Plug - Female coupling

TW laiton -Bouchon - accouplement Femelle

TW ottone -Tappo- accoppiamento femmina



DN	Referencia Part n°	€
2"	BRMB050	
3"	BRMB080	
4"	BRMB100	

TW latón -Tapón - acople macho

TW brass -Plug - Male coupling

TW laiton -Bouchon - accouplement Mâle

TW ottone -Tappo- accoppiamento maschio



DN	∅	Referencia Part n°	€
2"	70.5	BRVB050	
3"	102	BRVB080	
4"	128	BRVB100	

TW aluminio-Tapón - acople hembra

TW aluminum -Female Dust Cap coupling

TW aluminium -Bouchon - accouplement Femelle

TW alluminio -Tappo- accoppiamento femmina



DN	Referencia Part n°	€
2"	ALMB050	
3"	ALMB080	
4"	ALMB100	

TW aluminio -Tapón - acople macho

TW aluminum - Male Dust Plug coupling

TW aluminium -Bouchon - accouplement Mâle

TW alluminio -Tappo- accoppiamento maschio



DN	∅	Referencia Part n°	€
2"	70.5	ALVB050	
3"	102	ALVB080	
4"	128	ALVB100	

TW



Para el transporte de líquidos, sólidos y gases, excepto gas licuado y vapor.
For the transport of liquids, solids and gases, except liquefied gas and steam.

DIN 28450 | EN 14420-6

Ver ficha técnica | Check technical sheet

● **Inox | Stainless Steel**

● **Aluminio | Aluminium**

● **Latón | Brass**

Acoples TW DIN 28450

TW DIN 28450 Fittings
Raccords TW DIN 28450
Raccordi TW DIN 28450

Juntas NBR

NBR U-seals

Joints à lèvres NBR

Tenute a labbro NBR



DN	Referencia Part n°	€
2"	NBRMK050	
3"	NBRMK080	

Juntas labiales FPM

FPM U-seals

Joints à lèvres FPM

Tenute a labbro FPM



DN	Referencia Part n°	€
2"	FPMMK050	
3"	FPMMK080	

Juntas planas roscada NBR

NBR Flat seals

Joints plats NBR

Guarnizioni piatte NBR



DN	Referencia Part n°	€
2"	NBRTWR050	
3"	NBRTWR080	
4"	NBRTWR100	

Juntas planas roscada PTFE

PTFE Flat seals

Joints plats PTFE

Guarnizioni piatte PTFE



DN	Referencia Part n°	€
2"	PTFEEWR050	
3"	PTFEEWR080	
4"	PTFEEWR100	

Juntas planas CSM

Flat seals CSM

Joints plats CSM

Guarnizioni piatte CSM



DN	Referencia Part n°	€
2"	CSMMB050	
3"	CSMMB080	

Juntas toricas NBR

ORING NBR

ORING NBR

ORING NBR



DN	Referencia Part n°	€
4"	NBRTWO100	

Juntas toricas FPM

ORING FPM

ORING FPM

ORING FPM



DN	Referencia Part n°	€
4"	FPMTWO100	

Acople BARCELONA UNE 23400

BARCELONA UNE 23400 Fittings
Raccords BARCELONA UNE 23400
Raccordi BARCELONA UNE 23400

BARCELONA aluminio -Rosca hembra BSP

BARCELONA aluminium- Female thread BSP

BARCELONA aluminium- Filetage femelle BSP

BARCELONA Alluminio- Filetto femmina BSP



ROSCA THREAD	TAMAÑO SIZE	Referencia Part n°	€
1"	25	ALBA0102516	
1" 1/2	45	ALBA0104524	
2" 1/2	70	ALBA0107040	

BARCELONA aluminio -Reductor

BARCELONA aluminium- Reducer

BARCELONA aluminium- Reducteur

BARCELONA Alluminio- Riduttore



TAMAÑO SIZE	Referencia Part n°	€
70-45	ALBA03070045	
45-25	ALBA03045025	

BARCELONA aluminio -Para manguera

BARCELONA aluminium- For hose

BARCELONA aluminium- Pour tuyau

BARCELONA Alluminio- Per tubo



TAMAÑO SIZE	Referencia Part n°	€
25	ALBA05025025	
45	ALBA05045045	
70	ALBA05070070	

BARCELONA aluminio -Rosca macho BSP

BARCELONA aluminium- Male thread BSP

BARCELONA aluminium- Filetage mâle BSP

BARCELONA Alluminio- Filetto maschio BSP



ROSCA THREAD	TAMAÑO SIZE	Referencia Part n°	€
1"	25	ALBA0202516	
1" 1/2	45	ALBA0204524	
2" 1/2	70	ALBA0207040	

BARCELONA aluminio -Tapón

BARCELONA aluminium- Dust Cap

BARCELONA aluminium- Bouchon

BARCELONA Alluminio- Tappo



TAMAÑO SIZE	Referencia Part n°	€
25	ALBA04025	
45	ALBA04045	
70	ALBA04070	

Juntas NBR BARCELONA

NBR BARCELONA seals

Joints NBR BARCELONA

Guarnizioni NBR BARCELONA



TAMAÑO SIZE	Referencia Part n°	€
25	NBRBA025	
45	NBRBA045	
70	NBRBA070	

BARCELONA

● *Aluminio | Aluminium*



Para aplicaciones de incendios
For firefighting use

UNE 23400

Ver ficha técnica | Check technical sheet



Acoples STORZ DIN 1430

STORZ DIN 1430 Fittings
Raccords STORZ DIN 1430
Raccordi STORZ DIN 1430

STORZ aluminio- Rosca hembra BSP

STORZ aluminium- Female thread BSP

STORZ aluminium- Filetage femelle BSP

STORZ Alluminio- Filetto femmina BSP



DN	ROSCA THREAD	Referencia Part n°	€
25	1"	ALST01025D16	
38	1"1/2	ALST0103824	
52	2"	ALST01052C32	
65	2"1/2	ALST0106540	
75	3"	ALST01075B48	
110	4"	ALST01110A64	

STORZ aluminio- Reductor

STORZ aluminium- Reducer

STORZ aluminium- Reducteur

STORZ Alluminio- Riduttore



DN	Referencia Part n°	€
25-52	ALST03052C025D	
52-75	ALST03075B052C	
65-110	ALST03110A065	
75-110	ALST03110A075B	

STORZ aluminio- Para manguera

STORZ aluminium- For hose

STORZ aluminium- Pour tuyau

STORZ Alluminio- Per tubo



DN	Referencia Part n°	€
25	ALST05025D	
38	ALST05038038	
52	ALST05052C052	
65	ALST05065065	
75	ALST05075B075	
100	ALST05110A100	

STORZ aluminio- Rosca macho BSP

STORZ aluminium- Male thread BSP

STORZ aluminium- Filetage mâle BSP

STORZ Alluminio- Filetto maschio BSP



DN	ROSCA THREAD	Referencia Part n°	€
25	1"	ALST02025D16	
38	1"1/2	ALST0203820	
52	2"	ALST02052C32	
65	2"1/2	ALST0206540	
75	3"	ALST02075B48	
110	4"	ALST02110A64	

STORZ aluminio- Tapón

STORZ aluminium- Cap

STORZ aluminium- Bouchon

STORZ Alluminio- Tappo



DN	Referencia Part n°	€
25	ALST04025D	
38	ALST04038	
52	ALST04052C	
65	ALST04065	
75	ALST04075B	
100	ALST04110A	

Juntas NBR STORZ

STORZ - NBR Seals

Joints STORZ - NBR

STORZ - Guarnizioni NBR



DN	Referencia Part n°	€
25	NBRST025D	
38	NBRST038	
52	NBRST052C	
65	NBRST065	
75	NBRST075B	
100	NBRST110A	

STORZ

● Aluminio | Aluminium



Para aplicaciones de incendios, agricultura...
For firefighting, agriculture and delivery use

DIN 1430

Ver ficha técnica | Check technical sheet



Acoples EA DIN 3489

FA DIN 3489 Fittings
Raccords EA DIN 3489
Raccordi EA DIN 3489

EA acero- Rosca hembra BSP

EA steel- Female thread BSP

EA acier- Filetage femelle BSP

EA acciaio - Filetto femmina BSP



ROSCA THREAD	Referencia Part n°	€
1/2"	EA0108	
3/4"	EA0112	
1"	EA0116	

EA acero- Rosca macho BSP

EA steel- Male thread BSP

EA acier- Filetage mâle BSP

EA acciaio - Filetto maschio BSP



ROSCA THREAD	Referencia Part n°	€
1/2"	EA0208	
3/4"	EA0212	
1"	EA0216	

EA acero- Tapón

EA steel- Cap

EA acier- Bouchon

EA acciaio - Tappo



DESCRIPCION DESCRIPTION	Referencia Part n°	€
CAP	EA04	

EA acero- Para manguera c/collar

EA steel- For hose

EA acier- Pour tuyau avec collier

EA acciaio - Per tubo



DN	Referencia Part n°	€
13	EA0513	
16	EA0516	
19	EA0519	
25	EA0525	

Juntas NBR EA

EA NBR seals

Joints NBR EA

Guarnizioni EA NBR



TAMAÑO SIZE	Referencia Part n°	€
ALL	NBREA	

Air European (EA)

● Acero Carbono | Carbon Steel



Para aplicaciones de agua y aire comprimido

For water and compressed air applications

DIN 3489

Ver ficha técnica | Check technical sheet



Acoples UA CHICAGO

UA CHICAGO Fittings
Raccords UA CHICAGO
Raccordi UA CHICAGO

UA CHICAGO acero- Rosca hembra NPT

UA CHICAGO steel- Female thread NPT

UA CHICAGO acier- Filetage femelle NPT

UA CHICAGO acciaio - Filetto femmina NPT



ROSCA THREAD	Referencia Part n°	€
1/4" NPT	UA0104	
3/8" NPT	UA0106	
1/2" NPT	UA0108	
3/4" NPT	UA0112	
1" NPT	UA0116	
1" 1/4" NPT	UA0120	
1" 1/2" NPT	UA0124	
2" NPT	UA0132	

UA CHICAGO acero- Rosca macho NPT

UA CHICAGO steel- Male thread NPT

UA CHICAGO acier- Filetage mâle NPT

UA CHICAGO acciaio - Filetto maschio NPT



ROSCA THREAD	Referencia Part n°	€
1/4" NPT	UA0204	
3/8" NPT	UA0206	
1/2" NPT	UA0208	
3/4" NPT	UA0212	
1" NPT	UA0216	
1 1/4" NPT	UA0220	
1 1/2" NPT	UA0224	
2" NPT	UA0232	

UA CHICAGO acero- Tapón

UA CHICAGO steel- Cap

UA CHICAGO acier- Bouchon

UA CHICAGO acciaio - Tappo



DESCRIPCION DESCRIPTION	Referencia Part n°	€
Two claw plug	UA0402	

UA CHICAGO acero- Para manguera c/collar

UA CHICAGO steel- For hose

UA CHICAGO acier- Pour tuyau avec collier

UA CHICAGO acciaio - Per tubo



DN	Referencia Part n°	€
6	UA0507	
10	UA0510	
13	UA0513	
19	UA0519	
25	UA0525	
32	UA0532	
38	UA0538	
50	UA0550	

NBR JUNTAS UA CHICAGO

UA CHICAGO NBR seals

Joints NBR UA CHICAGO

Guarnizioni UA CHICAGO NBR



TAMAÑO SIZE	Referencia Part n°	€
ALL	NBRUA02	

Acoples EXPRESS NF E-29-573

EXPRESS NF E-29-573 Fittings
Raccords EXPRESS NF E-29-573
RACCORDI EXPRESS NF E-29-573

EXPRESS latón- Rosca hembra BSP

EXPRESS brass- Female thread BSP

EXPRESS laiton- Filetage femelle BSP

EXPRESS ottone - Filetto femmina BSP



ROSCA THREAD	Referencia Part n°	€
1/4"	BREX0104	
3/8"	BREX0106	
1/2"	BREX0108	
3/4"	BREX0112	
1"	BREX0116	
1" 1/4"	BREX0120	

EXPRESS latón- Rosca macho BSP

EXPRESS brass- Male thread BSP

EXPRESS laiton- Filetage mâle BSP

EXPRESS ottone - Filetto maschio BSP



ROSCA THREAD	Referencia Part n°	€
1/4"	BREX0204	
3/8"	BREX0206	
1/2"	BREX0208	
3/4"	BREX0212	
1"	BREX0216	
1" 1/4"	BREX0220	

EXPRESS latón- Tapón

EXPRESS brass- Cap

EXPRESS laiton- Bouchon

EXPRESS ottone - Tappo



DESCRIPCION DESCRIPTION	Referencia Part n°	€
CAP	BREX04	

EXPRESS latón- Para manguera

EXPRESS brass- For hose

EXPRESS laiton- Pour tuyau

EXPRESS ottone - Per tubo



Ø EXT. Ø OUTER	TAMAÑO SIZE	Referencia Part n°	€
9	7-9	BREX0508	
10	8-10	BREX0510	
12	11-13	BREX0513	
14	13-16	BREX0514	
17	16-18	BREX0517	
20	19-21	BREX0519	
26	25-27	BREX0525	
31	30-32	BREX0532	

Juntas NBR EXPRESS

NBR EXPRESS seals

Joints NBR EXPRESS

Guarnizioni EXPRESS



TAMAÑO SIZE	Referencia Part n°	€
ALL	NBEX	

EXPRESS

● Latón | Brass



Para aplicaciones de agua y aire comprimido

For water and compressed air applications

NF E-29573

Ver ficha técnica | Check technical sheet



Acoples GEKA

GEKA Fittings
Raccorde GEKA
Raccordi GEKA

GEKA latón -Rosca hembra BSP

GEKA brass- Female thread BSP

GEKA laiton- Filetage femelle BSP

GEKA ottone - Filetto femmina BSP



ROSCA THREAD	Referencia Part n°	€
3/8"	BRGE0106	
1/2"	BRGE0108	
3/4"	BRGE0112	
1"	BRGE0116	
1"1/4	BRGE0120	
1"1/2	BRGE0124	

GEKA latón -Rosca macho BSP

GEKA brass- Male thread BSP

GEKA laiton- Filetage mâle BSP

GEKA ottone - Filetto maschio BSP



ROSCA THREAD	Referencia Part n°	€
3/8"	BRGE0206	
1/2"	BRGE0208	
3/4"	BRGE0212	
1"	BRGE0216	
1"1/4	BRGE0220	
1"1/2	BRGE0224	

GEKA latón -Tapón

GEKA brass- Plug

GEKA laiton- Bouchon

GEKA ottone - Tappo



DESCRIPCION DESCRIPTION	Referencia Part n°	€
Plug	BRGE04	

GEKA

● Latón | Brass



Para aplicaciones de agricultura, jardinería, construcción y servicios públicos
For agricultural, gardening, construction and public service applications

GEKA latón -Para manguera

GEKA brass- For hose

GEKA laiton- Pour tuyau

GEKA ottone - Per tubo



DN	Referencia Part n°	€
10	BRGE0510	
13	BRGE0513	
16	BRGE0516	
19	BRGE0519	
25	BRGE0525	
32	BRGE0532	
38	BRGE0538	

Juntas NBR GEKA

NBR GEKA seals

Joints NBR GEKA

Guarnizioni NBR GEKA



TAMAÑO SIZE	Referencia Part n°	€
ALL	NBRGE	



Acoples CAMLOCK MORTERO

MORTAR CAMLOCK Fittings
Raccords MORTIER CAMLOCK
Raccordi CAMLOCK MORTAIO

CAMLOCK MORTERO acero Tipo A BSP

A Type steel MORTAR CAMLOCK BSP

CAMLOCK MORTIER acier Type A BSP

CAMLOCK MORTAIO acciaio Tipo A BSP



DN	SERIE	ROSCA THREAD	Referencia Part n°	€
25	22	1"	MT22A2516	
27	22	1"	MT22A2716	
35	22	1" 1/4	MT22A3520	
35	22	1" 1/2	MT22A3524	
50	22	2"	MT22A5032	
35	23.5	1" 1/4	MT23A3520	
35	23.5	1" 1/2	MT23A3524	
50	23.5	2"	MT23A5032	

CAMLOCK MORTERO acero Tipo C

C Type steel MORTAR CAMLOCK

CAMLOCK MORTIER acier Type C

CAMLOCK MORTAIO acciaio Tipo C



DN	SERIE	Referencia Part n°	€
27	22	MT22C2725	
35	22	MT22C3535	
50	22	MT22C5050	
35	23.5	MT23C3535	
50	23.5	MT23C5050	

CAMLOCK MORTERO acero Tipo D BSP

D Type steel MORTAR CAMLOCK BSP

CAMLOCK MORTIER acier Type D BSP

CAMLOCK MORTAIO acciaio Tipo D BSP



DN	SERIE	ROSCA THREAD	Referencia Part n°	€
25	22	1"	MT22D2516	
27	22	1"	MT22D2716	
35	22	1" 1/4	MT22D3520	
35	22	1" 1/2	MT22D3524	
50	22	2"	MT22D5032	
35	23.5	1" 1/4	MT23D3520	
35	23.5	1" 1/2	MT23D3524	
50	23.5	2"	MT23D5032	

CAMLOCK MORTERO acero Tipo E

E Type steel MORTAR CAMLOCK

CAMLOCK MORTIER acier Type E

CAMLOCK MORTAIO acciaio Tipo E



DN	SERIE	Referencia Part n°	€
25	22	MT22E2525	
27	22	MT22E2725	
35	22	MT22E3535	
50	22	MT22E5050	
35	23.5	MT23E3535	
50	23.5	MT23E5050	

Acoples CHORRO DE ARENA

SANDBLAST Fittings

Raccords SABLAGE

Raccordi per SABBIAIATURA

CHORRO DE ARENA aluminio acople - para manguera

SANDBLAST aluminum -for hose

SABLAGE aluminium -pour le tuyau

Raccordo SABBIAIATURA alluminio -per tubo



DN	Referencia Part n°	€
19	ALCH0519	
25	ALCH0525	
32	ALCH0532.1	
32	ALCH0532	
38	ALCH0538	

CHORRO DE ARENA latón acople - para manguera

SANDBLAST brass -for hose

SABLAGE laiton -pour le tuyau

Raccordo SABBIAIATURA ottone -per tubo



DN	Referencia Part n°	€
19	BRCH0519*	
25	BRCH0525	
32	BRCH0532	
38	BRCH0538	

* Hasta fin de existencias / Until end of stock / Jusqu'à la fin du stock / Fino ad esaurimento

CHORRO DE ARENA aluminio acople - rosca hembra BSP

SANDBLAST aluminum -Female thread BSP

SABLAGE aluminium -Filetage femelle BSP

Raccordo SABBIAIATURA alluminio -Filetto femmina BSP



ROSCA THREAD	Referencia Part n°	€
1" 1/4	ALCH0120	
1" 1/2	ALCH0124	

CHORRO DE ARENA latón acople - rosca hembra BSP

SANDBLAST brass -Female thread BSP

SABLAGE laiton -Filetage femelle BSP

Raccordo SABBIAIATURA ottone -Filetto femmina BSP



ROSCA THREAD	Referencia Part n°	€
1" 1/4	BRCH0120	
1" 1/2	BRCH0124	

CHORRO DE ARENA aluminio para manguera - rosca hembra BSP

SANDBLAST aluminum -for hose-Female thread BSP

SABLAGE aluminium -Filetage femelle BSP pour tuyau

Raccordo SABBIAIATURA alluminio -per tubo- Filetto femmina BSP



DN	ROSCA THREAD	Referencia Part n°	€
19	1" 1/4	ALCH071219	
25	1" 1/4	ALCH071625	
32	1" 1/4	ALCH072032	
38	1" 1/4	ALCH072438	

CHORRO DE ARENA latón para manguera - rosca hembra BSP

SANDBLAST brass -for hose-Female thread BSP

SABLAGE laiton -Filetage femelle BSP pour tuyau

Raccordo SABBIAIATURA ottone -per tubo- Filetto femmina BSP



DN	ROSCA THREAD	Referencia Part n°	€
19	1" 1/4	BRCH071219	
25	1" 1/4	BRCH071625	
32	1" 1/4	BRCH072032	
38	1" 1/4	BRCH072438	

CHORRO DE ARENA

SAND BLAST

● Aluminio | Aluminium

● Latón | Brass



Para aplicaciones de chorro de arena y gunitados

For sandblasting and build-up applications



Acoples CHORRO DE ARENA

SANDBLAST Fittings
Raccords SABLAGE
Raccordi per SABBIAIATURA

CHORRO DE ARENA nylon acople - para manguera

SANDBLAST nylon for hose

SABLAGE nylon pour le tuyau

Raccordo SABBIAIATURA nylon per tubo



DN	Referencia Part n°	€
19	NYCH0519	
25	NYCH0525	
32	NYCH0532	
38	NYCH0538	

Juntas NBR CHORRO DE ARENA

SANDBLAST NBR Seals

SABLAGE Joints NBR

SABBIAIATURA - Guarnizioni NBR



TAMAÑO SIZE	Referencia Part n°	€
ALL	NBRCH	

CHORRO DE ARENA nylon acople - rosca hembra BSP

SANDBLAST nylon female thread BSP

SABLAGE nylon filetage femelle BSP

Raccordo SABBIAIATURA nylon filetto femmina BSP



ROSCA THREAD	Referencia Part n°	€
1" 1/4	NYCH0120	
1" 1/2	NYCH0124	

CHORRO DE ARENA nylon para manguera - rosca hembra BSP

SANDBLAST nylon for hose female thread BSP

SABLAGE nylon filetage femelle BSP pour tuyau

Raccordo SABBIAIATURA nylon per tubo filetto femmina BSP



DN	ROSCA THREAD	Ø INT. Ø INNER	Referencia Part n°	€
25	1" 1/4	39	NYCH071625	
32	1" 1/4	50	NYCH072032	
38	1" 1/4	55	NYCH072438	

Acoples BAUER

BAUER Fittings
Raccords BAUER
Raccordi BAUER

BAUER acero hembra

BAUER carbon steel female

BAUER acier femelle

BAUER acciaio femmina



DN	Ø ROTULA Ø BALL	Referencia Part n°	€
2"	50	BEF050	
3"	76	BEF076	
4"	108	BEF108	

BAUER acero macho

BAUER carbon steel male

BAUER acier mâle

BAUER acciaio maschio



DN	Ø ROTULA Ø BALL	Referencia Part n°	€
2"	50	BEM050	
3"	76	BEM076	
4"	108	BEM108	

Juntas NBR BAUER

NBR BAUER seals

Joints NBR BAUER

Guarnizioni NBR BAUER



DN	Referencia Part n°	€
2"	NBRBE050	
3"	NBRBE076	
4"	NBRBE108	

Acoples PERROT

PERROT Fittings

Raccordi PERROT

Raccordi PERROT

PERROT acero hembra

PERROT carbon steel female

PERROT acier femelle

PERROT acciaio femmina



DN	Ø OUTER Ø EXT.	Referencia Part n°	€
2"	52,3	PEF050	
3"	77,4	PEF089	
4"	102,4	PEF108	

Juntas NBR PERROT

NBR PERROT seals

Joints NBR PERROT

Guarnizioni NBR PERROT



DN	Referencia Part n°	€
2"	NBRPE050	
3"	NBRPE089	
4"	NBRPE108	

PERROT acero macho

PERROT carbon steel male

PERROT acier mâle

PERROT acciaio maschio



DN	Ø OUTER Ø EXT.	Referencia Part n°	€
2"	52,3	PEM050	
3"	77,4	PEM089	
4"	102,4	PEM108	

Acoples vapor tipo BOSS

Steam fittings BOSS type
Raccords vapeur type BOSS
Raccordi per vapore tipo BOSS

BOSS acero kit BSP

BOSS carbon steel kit BSP

BOSS acier kit BSP

BOSS acciaio kit BSP



DN	ROSCA THREAD	Referencia Part n°	€
1/2"	1/2" BSP	B00813	
3/4"	3/4" BSP	B01219	
1"	1" BSP	B01625	
1"1/4	1" 1/4 BSP	B02032	
1"1/2	1"1/2 BSP	B02438	
2"	2" BSP	B03251	

STD FITTINGS
+
STD FERRULES
+
HOSES
INDUS TrΔle®

CONEXIÓN STD
+
CASQUILLO STD
+
MANGUERA
INDUS TrΔle®

Datos de tablas de prensado siempre actualizados en nuestra web: www.dicsaes.com | Crimping information always updated on our: [website www.dicsaes.com](http://www.dicsaes.com)

Acoples vapor EN 14423

Steam EN 14423 fittings
Raccords vappeur EN 14423
Raccordi per vapore EN 14423

Abrazadera EN 14423 acero

EN 14423 clamp steel

Collier EN 14423 acier

Collare EN 14423 acciaio



DN	Ø INT. Ø INNER	Referencia Part n°	€
13X6	24-26	AB06024026	
19X7	32-34	AB06032034	
25X7.5	39-41	AB06039041	
32X8	47-50	AB06047050	
38X8	53-56	AB06053056	
50X9	67-69	AB06067069	

Hembra Espiga EN 14423 acero

Female-hose tail EN 14423 steel

Femelle à douille EN 14423 acier

Femmina con inserto EN 14423 acciaio



DN	ROSCA THREAD	Referencia Part n°	€
13	1/2" BSP	STE0208	
19	3/4" BSP	STE0212	
25	1" BSP	STE0216	
32	1" 1/4 BSP	STE0220	
38	1" 1/2 BSP	STE0224	
50	2" BSP	STE0232	

Macho Espiga EN 14423 acero

Male-hose tail EN 14423 steel

Mâle à douille EN 14423 acier

Maschio con inserto EN 14423 acciaio



DN	ROSCA THREAD	Referencia Part n°	€
13	1/2" BSPT	STE0108	
19	3/4" BSPT	STE0112	
25	1" BSPT	STE0116	
32	1" 1/4 BSPT	STE0120	
38	1" 1/2 BSPT	STE0124	
50	2" BSPT	STE0132	

VAPOR BOSS STEAM BOSS

● Acero Carbono | Carbon Steel



Adecuado para las conexiones de manguera de vapor, y también ampliamente utilizado para aire comprimido, agua, gas petróleo licuado y fluidos químicos, etc.

Suitable for steam hose connections, and widely used for compressed air, water, liquid petroleum gas, chemical fluids, etc.

Ver ficha técnica | Check technical sheet



Accesorios industriales

Industrial accessories

Accessoires industriels

Accessori industriale

Campana aluminio para racor industrial - cierre 45°

Crimping Ferrule 45° closure (aluminium)

Jupe aluminium pour raccord industriel -fermeture 45°

Boccola in alluminio per raccordo industriale-chiusura 45°



Ø INT. Ø INNER	Referencia Part n°	€
11	ALCA011000	
12,9	ALCA012900	
13,4	ALCA013400	
14,5	ALCA014500	
15,5	ALCA015500	
17,5	ALCA017500	
18,5	ALCA018500	
20,5	ALCA020500	
21,5	ALCA021500	
24,5	ALCA024500	
26,5	ALCA026500	
27,5	ALCA027500*	
28,5	ALCA028500	
30	ALCA030000	
33	ALCA033000	
36	ALCA036000	
39	ALCA039000	
46	ALCA046000	
43	ALCA043000	
48	ALCA048000	
50	ALCA050000	
54	ALCA054000	
56,5	ALCA056500	
63	ALCA063000	
67	ALCA067000	
84	ALCA083000	
98	ALCA099000	
123	ALCA121000	

* Hasta fin de existencias / Until end of stock / Jusqu'à la fin du stock / Fino ad esaurimento

Abrazadera EN 14420-3 aluminio

Clamp EN 14420-3 aluminium

Collier EN 14420-3 aluminium

Collare EN 14420-3 alluminio



Ø MANGUERA Ø HOSE	Ø INT. Ø INNER	Referencia Part n°	€
13x5	21-25 mm	ALAB01021025	
19X6	29-33 mm	ALAB01029033	
25x5	34-37 mm	ALAB01034037	
25x6	36-39 mm	ALAB01036039	
32X5	41-44 mm	ALAB01041044	
32x6	42-46 mm	ALAB01042046	
32x8/35x6	46-50 mm	ALAB01046050	
38X5	47-51 mm	ALAB01047051	
38X6,5	49-53 mm	ALAB01049053	
38x8	52-56 mm	ALAB01052056	
38x10	56-60 mm	ALAB01056060	
50X5,5	62-64 mm	ALAB01060064	
50x8	63-67 mm	ALAB01063067	
50X10	68-72 mm	ALAB01068072	
63x6	74-77 mm	ALAB01074077	
63X8	77-81 mm	ALAB01077081	
65x10	84-87 mm	ALAB01084087	
75x6	87-90 mm	ALAB01087090	
75x8	89-94 mm	ALAB01089094	
75X10	94-98 mm	ALAB01094098	
100x8	114-119 mm	ALAB01114119	

Abrazadera EXPRESS acero

Clamp EXPRESS steel

Collier EXPRESS acier

Collare EXPRESS acciaio



Ø INT. Ø INNER	Referencia Part n°	€
19-21 mm	AB031921	
22-24 mm	AB032224	
25-27 mm	AB032527	
28-30 mm	AB032830	
31-33 mm	AB033133	
34-36 mm	AB033436	
37-39 mm	AB033739	

Abrazadera tipo BOSS acero

Clamp BOSS type steel

Collier type BOSS acier

Collare tipo BOSS acciaio



Ø INT. Ø INNER	Nº TORNILLOS Nº BOLTS	Referencia Part n°	€
24-27 mm	2	AB05024027	
30-33 mm	2	AB05030033	
38-43 mm	2	AB05038043	
38-43 mm	4	AB05438043	
43-49 mm	4	AB05043049	
54-60 mm	4	AB05054060	
63-71 mm	4	AB05063071	

Abrazadera DIN 20039 A acero

Clamp DIN 20039 A steel

Collier DIN 20039 A acier

Collare DIN 20039 A acciaio



Ø INT. Ø INNER	Referencia Part n°	€
22-29 mm	AB04022029	
28-34 mm	AB04028034	
32-40 mm	AB04032040	

Accesorios industriales

Industrial accessories
Accessoires industriels
Accessori industriale

Abrazadera alta presión W1 acero

Clamp high pressure W1 steel

Collier haute pression W1 acier

Collare alta pressione W1 acciaio



Ø INT. Ø INNER	Referencia Part n°	€
17-19mm	AB02017019	
20-22mm	AB02020022	
23-25mm	AB02023025	
26-28mm	AB02026028	
29-31mm	AB02029031	
32-35mm	AB02032035	
36-39mm	AB02036039	
40-43mm	AB02040043	
44-47mm	AB02044047	
48-51mm	AB02048051	
52-55mm	AB02052055	
56-59mm	AB02056059	
60-63mm	AB02060063	
64-67mm	AB02064067	
68-73mm	AB02068073	
74-79mm	AB02074079	
80-85mm	AB02080085	
86-91mm	AB02086091	
92-97mm	AB02092097	
98-103mm	AB02098103	
104-112mm	AB02104112	
113-121mm	AB02113121	
122-130mm	AB02122130	
131-139mm	AB02131139	
140-148mm	AB02140148	
149-161mm	AB02149161	
162-174mm	AB02162174	
175-187mm	AB02175187	
188-200mm	AB02188200	

CAMPANAS Y ABRAZADERAS

FERRULES AND CLAMPS

Soluciones perfectas para asegurar la conexión

Perfect solutions to ensure the connection



ALTA PRESIÓN W1



TIPO BOSS



DIN 2817
EN14420-3



DIN 20039 A



TIPO EXPRESS

● Acero Carbono | Carbon Steel

● Inox | Stainless Steel

● Aluminio | Aluminium

● Latón | Brass

Manguera Inox ISO 10380 | **180**

Stainless steel hose ISO 10380

Tuyau Inox ISO 10380

Tubi inox ISO 10380

Racores soldables | **182**

Welding fittings

Raccords à souder

Raccordi a saldare

Bridas soldables | **188**

Welding flanges

Brides à souder

Flange a saldare



03

| INOX CORRUGADO

Convolute Stainless Steel

Inox onduleux

inox corrugato

Manguera Inox ISO 10380

Stainless steel hose ISO 10380

Tuyau Inox ISO 10380

Tubi inox ISO 10380

Mangueras Inox Corrugado y Malla Inox ▪ Convoluted stainless steel hoses and AISI 304 Braid ▪ Tuyaux inox onduleux et Tresse Inox ▪ Tubi Inox corrugato e Maglia Inox

180



M93211

M93161304

M93161

M93161304..EF

M93162304

M304

M316

Racores soldables

Welding fittings
Raccords à souder
Raccordi a saldare

Racores soldables BSP ▪ BSP Welding fittings ▪ Raccords à souder BSP ▪ Raccordi a saldare BSP

182



Racores soldables JIC 37° ▪ JIC 37° Welding fittings ▪ Raccords à souder JIC 37° ▪ Raccordi a saldare JIC 37°

184



Racores soldables métricos ▪ Metric Welding fittings ▪ Raccords à souder métriques ▪ Raccordi a saldare metrici

185



Cono y tuerca ▪ Nipple and nut ▪ Collet et écrou ▪ Ogiva e dado

187



Racores para soldar >2" ▪ Welding fittings >2" ▪ Raccords à souder >2" ▪ Raccordi a saldare > 2"

187



INDUSTRIAL
HOSES

Bridas soldables

Welding flanges
brides a souder
Flange a saldare

INDUSTRIAL
FITTINGS

Bridas fijas para soldar ▪ Fixed Forged flanges ▪ Brides DIN à souder fixes ▪ Flangia a saldare | 188



BDM102642

BANCAM150

BDM102656

BANCAM1200

STAINLESS STEEL HOSE
WELDING FITTINGS / FLANGES

Conjunto brida DIN 2642 ▪ DIN 2642 swivel flanges set ▪ Ensemble brides tournantes DIN 2642 ▪ Flangia girevole DIN 2642 | 189



BPN102642

ABAR02642

ABTUB

LOW PRESSURE

Conjunto brida DIN 2656 ▪ DIN 2656 swivel flanges set ▪ Ensemble brides tournantes DIN 2656 ▪ Flangia girevole DIN 2656 | 190



BPN102656

ABAR02656

ABTUB

AIR CONDITIONING
HOSES AND FITTINGS

Conjunto brida ANSI-ASA ▪ ANSI-ASA swivel flanges set ▪ Ensemble brides ANSI-ASA ▪ Flangia girevole ANSI-ASA | 191



BANSAS0150

BANSAS0300

ABTUB

ABAROANSA

Manguera Inox ISO 10380

Stainless steel hose ISO 10380
Tuyau Inox ISO 10380



Inox corrugado AISI 321 con una malla AISI 304

Convuluted S.S. AISI 321 hose with one braid S.S. AISI 304

Inox onduleux AISI 321 avec une tresse inox AISI 304

Tubo Inox corrugato AISI 321 con treccia AISI 304



DN	Ø INT. Ø INNER	Referencia Part n°	€
1/4"	6.2	M93211006	
3/8"	10.3	M93211010	
1/2"	12.2	M93211012	
5/8"	16.2	M93211016	
3/4"	20.2	M93211020	
1"	25.4	M93211025	
1" 1/4	34.3	M93211032	
1" 1/2	40.1	M93211040	
2"	50.3	M93211050	
2" 1/2	65.6	M93211065	
3"	80.3	M93211080	
4"	100.8	M93211100	

Inox corrugado AISI 316 con una malla AISI 304 extra flexible

Convuluted S.S. AISI 316 hose with one braid S.S. AISI 304 extra flexible

Inox onduleux AISI 316 avec une tresse inox AISI 304 extra flexible

Tubo Inox corrugato AISI 316 con treccia AISI 304 (extra-flessibile)



DN	Ø INT. Ø INNER	Referencia Part n°	€
3/4"	20	M93161304020EF	
1"	25	M93161304025EF	
1" 1/4	34.3	M93161304032EF	
1" 1/2	39.8	M93161304040EF	
2"	50	M93161304050EF	

Inox corrugado AISI 316 con dos mallas AISI 304

Convuluted S.S. AISI 316 hose with two braids S.S. AISI 304

Inox onduleux AISI 316 avec deux tresses inox AISI 304

Tubo Inox corrugato AISI 316 con due trecce AISI 304



DN	Ø INT. Ø INNER	Referencia Part n°	€
1/4"	6.2	M93162304006	
3/8"	10.3	M93162304010	
1/2"	12.2	M93162304012	
3/4"	20.2	M93162304020	
1"	25.4	M93162304025	
1" 1/4	34.3	M93162304032	
1" 1/2	40.1	M93162304040	
2"	50.3	M93162304050	
2" 1/2	65.6	M93162304065	
3"	80.3	M93162304080	
4"	100.8	M93162304100	

Inox corrugado AISI 316 con una malla AISI 304

Convuluted S.S. AISI 316 hose with one braid S.S. AISI 304

Inox onduleux AISI 316 avec une tresse inox AISI 304

Tubo Inox corrugato AISI 316 con treccia AISI 304



DN	Ø INT. Ø INNER	Referencia Part n°	€
1/4"	6.2	M93161304006	
3/8"	10.3	M93161304010	
1/2"	12.2	M93161304012	
5/8"	16.2	M93161304016	
3/4"	20.2	M93161304020	
1"	25.4	M93161304025	
1" 1/4	34.3	M93161304032	
1" 1/2	40.1	M93161304040	
2"	50.3	M93161304050	
2" 1/2	65.6	M93161304065	
3"	80.3	M93161304080	
4"	100.8	M93161304100	

Inox corrugado AISI 316 con una malla AISI 316

Convuluted S.S. AISI 316 hose with one braid S.S. AISI 316

Inox onduleux AISI 316 avec une tresse inox AISI 316

Tubo Inox corrugato AISI 316 con treccia AISI 316



DN	Ø INT. Ø INNER	Referencia Part n°	€
1/4"	6.2	M93161006	
3/8"	10.3	M93161010	
1/2"	12.2	M93161012	
3/4"	20.2	M93161020	
1"	25.4	M93161025	
1" 1/4	34.3	M93161032	
1" 1/2	40.1	M93161040	
2"	50.3	M93161050	
2" 1/2	65.6	M93161065	
3"	80.3	M93161080	
4"	100.8	M93161100	



**MANGUERAS SOBRE REELS DE MADERA
BAJO CONSULTA / ON REQUEST
CONVOLUTED METAL HOSE ON REELS**



Manguera Inox ISO 10380

Stainless steel hose ISO 10380

Tuyau Inox ISO 10380

Tubi inox ISO 10380

Malla inox 304

AISI 304 braid

Tresse inox 304

Treccia acciaio Inox 304



Ø INT. Ø INNER	Referencia Part n°	€
9,6	M304009.6	
12,3	M304012.3	
14,3	M304014.3	
16,7	M304016.7	
21,6	M304021.6	
26,8	M304026.8	
32,2	M304032.2	
41,1	M304041.1	
49,8	M304049.8	
60,3	M304060.3	
80,8	M304080.8	

Malla inox 316

AISI 316 braid

Tresse inox 316

Treccia acciaio Inox 316



Ø INT. Ø INNER	Referencia Part n°	€
9,6	M316009.6	
12,3	M316012.3	
14,3	M316014.3	
16,7	M316016.7	
21,6	M316021.6	
26,8	M316026.8	
32,2	M316032.2	
41,1	M316041.1	
49,8	M316049.8	
60,3	M316060.3	
80,8	M316080.8	



Amplia variedad de manguera inoxidable corrugado para instalaciones en el sector químico, centrales eléctricas y plantas petroquímicas.

Wide range of convoluted stainless steel hoses for a variety of facilities, such as chemical sector, power plant, oil and gas.

INDUSTRIAL
HOSES

INDUSTRIAL
FITTINGS

STAINLESS STEEL HOSE
WELDING FITTINGS/FLANGES

LOW PRESSURE

AIR CONDITIONING
HOSES AND FITTINGS

Racores soldables

Welding fittings

Raccords à souder

Raccordi a saldare



Casquillo soldable Inox corrugado

Convuluted SS welding ferrule

Jupe à souder Inox convoluté

Boccola a saldare per tubo Inox corrugato



DN	Ø INT. Ø INNER	Referencia Part n°	€
1/4"	14	810700400	*
1/4"	12	810700401	*
3/8"	19	810700600	*
3/8"	17	810700601	*
1/2"	22	810700800	*
1/2"	19	810700801	*
5/8"	25	810701000	*
3/4"	30	810701200	*
3/4"	32	810701201	*
1"	35	810701500	*
1"	37	810701600	*
1"1/4	47,8	810702000	*
1"1/4	44,3	810702001	*
1"1/2	56,3	810702400	*
2"	66	810703201	*
2"1/2	84,9	810704000	*
2"1/2	95,6	810704001	*
3"	100	810704801	*
4"	125	810706400	*

*Ver precios en catálogo de inoxidable / *Prices in Stainless Steel Catalogue / *Prix dans le Catalogue Acier Inox / *Prezzi in Acciaio Inossidabile

Macho fijo BSP asiento plano - soldable con guía

Welding fixed male BSP flat seat with guide

Mâle fixe BSP fond plat à souder avec guide

Maschio BSP faccia piana a saldare con guida



DN	ROSCA THREAD	Referencia Part n°	€
1/4"	1/4" BSP	A103304	
3/8"	3/8" BSP	A103306	
1/2"	1/2" BSP	A103308	
3/4"	3/4" BSP	A103312	
1"	1" BSP	A103316	
1"1/4	1"1/4 BSP	A103320	
1"1/2	1"1/2 BSP	A103324	
2"	2" BSP	A103332	

Macho cónico BSPT con guía

Welding adaptor BSPT with guide

Mamelon hexagonal BSPT conique à souder (bw) + guide

Maschio conico BSPT a saldare con guida



DN	ROSCA THREAD	Referencia Part n°	€
1/4"	1/4" BSPT	A103204	
3/8"	3/8" BSPT	A103206	
1/2"	1/2" BSPT	A103208	
3/4"	3/4" BSPT	A103212	
1"	1" BSPT	A103216	
1"1/4	1"1/4 BSPT	A103220	
1"1/2	1"1/2 BSPT	A103224	
2"	2" BSPT	A103232	
2"1/2	2"1/2 BSPT	A103240	

Macho BSP cono 60° con guía

Welding adaptor BSP 60° with guide

Mamelon hexagonal BSP à souder (bw) + guide

Maschio BSP 60° a saldare con guida



DN	ROSCA THREAD	Referencia Part n°	€
1/4"	1/4" BSP	A103504	
3/8"	3/8" BSP	A103506	
1/2"	1/2" BSP	A103508	
3/4"	3/4" BSP	A103512	
1"	1" BSP	A103516	
1"1/4	1"1/4 BSP	A103520	
1"1/2	1"1/2 BSP	A103524	
2"	2" BSP	A103532	

Empalme liso soldable rosca BSP (60°)

Welding union BSP male (60°)

Embout mâle lisse à souder gaz cyl BSP (60°)

Mezzo nipples tondo a saldare BSP 60°



ROSCA THREAD	Referencia Part n°	€
1/8" BSP	A129002	
1/4" BSP	A129004	
3/8" BSP	A129006	
1/2" BSP	A129008	
3/4" BSP	A129012	
1" BSP	A129016	
1"1/4 BSP	A129020	
1"1/2 BSP	A129024	
2" BSP	A129032	

Macho fijo NPT - soldable con guía

Welding fixed male NPT flat seat with guide

Mâle fixe NPT à souder avec guide

Maschio conico NPT a saldare con guida



DN	ROSCA THREAD	Referencia Part n°	€
1/4"	1/4" NPT	A103404	
3/8"	3/8" NPT	A103406	
1/2"	1/2" NPT	A103408	
3/4"	3/4" NPT	A103412	
1"	1" NPT	A103416	
1"1/4	1"1/4 NPT	A103420	
1"1/2	1"1/2 NPT	A103424	
2"	2" NPT	A103432	

Racores soldables

Welding fittings

Raccordi a saldare

Raccordi a saldare

Hembras giratorias prensada BSP 60° - soldable con guía

Welding BSP swivel female 60° with guide

Femelle tournante BSP 60° à souder avec guide

Femmina girevole BSP 60° a saldare con guida



DN	ROSCA THREAD	Referencia Part n°	€
1/4"	1/4" BSP	A128104	
3/8"	3/8" BSP	A128106	
1/2"	1/2" BSP	A128108	
3/4"	3/4" BSP	A128112	
1"	1" BSP	A128116	
1" 1/4	1" 1/4 BSP	A128120	
1" 1/2	1" 1/2 BSP	A128124	

Hembras giratorias prensada 90° BSP 60° - soldable

Welding 90° BSP swivel female 60°

Femelle tournante 90° à souder

Femmina girevole 90° BSP 60° a saldare



DN	ROSCA THREAD	Referencia Part n°	€
1/4"	1/4" BSP	A103704	
3/8"	3/8" BSP	A103706	
1/2"	1/2" BSP	A103708	
3/4"	3/4" BSP	A103712	
1"	1" BSP	A103716	
1" 1/4	1" 1/4 BSP	A103720	
1" 1/2	1" 1/2 BSP	A103724	
2"	2" BSP	A103732	

Hembras giratorias prensada 45° BSP 60° - soldable

Welding 45° BSP swivel female 60°

Femelle tournante 45° à souder

Femmina girevole 45° BSP 60° a saldare



DN	ROSCA THREAD	Referencia Part n°	€
1/4"	1/4" BSP	A103804	
3/8"	3/8" BSP	A103806	
1/2"	1/2" BSP	A103808	
3/4"	3/4" BSP	A103812	
1"	1" BSP	A103816	
1" 1/4	1" 1/4 BSP	A103820	
1" 1/2	1" 1/2 BSP	A103824	
2"	2" BSP	A103832	

Hembras giratorias prensada BSP asiento plano - soldable con guía

Welding BSP swivel female flat seat

Femelle tournante BSP à souder fond plat

Femmina girevole BSP faccia piana a saldare con guida



DN	ROSCA THREAD	Referencia Part n°	€
1/4"	1/4" BSP	A128204	
3/8"	3/8" BSP	A128206	
1/2"	1/2" BSP	A128208	
3/4"	3/4" BSP	A128212	
1"	1" BSP	A128216	
1" 1/4	1" 1/4 BSP	A128220	
1" 1/2	1" 1/2 BSP	A128224	
2"	2" BSP	A128232	4

Hembras giratorias prensada 90° BSP asiento plano - soldable

Welding 90° BSP swivel female 60° flat seat

Femelle tournante 90° à souder fond plat

Femmina girevole 90° BSP faccia piana a saldare



DN	ROSCA THREAD	Referencia Part n°	€
1/4"	1/4" BSP	A103904	
3/8"	3/8" BSP	A103906	
1/2"	1/2" BSP	A103908	
3/4"	3/4" BSP	A103912	
1"	1" BSP	A103916	
1" 1/4	1" 1/4 BSP	A103920	
1" 1/2	1" 1/2 BSP	A103924	
2"	2" BSP	A103932	

Hembras giratorias prensada 45° BSP asiento plano - soldable

Welding 45° BSP swivel female 60° flat seat

Femelle tournante 45° à souder fond plat

Femmina girevole 45° BSP faccia piana a saldare



DN	ROSCA THREAD	Referencia Part n°	€
1/4"	1/4" BSP	A104004	
3/8"	3/8" BSP	A104006	
1/2"	1/2" BSP	A104008	
3/4"	3/4" BSP	A104012	
1"	1" BSP	A104016	
1" 1/4	1" 1/4 BSP	A104020	
1" 1/2	1" 1/2 BSP	A104024	
2"	2" BSP	A104032	

Racores soldables

Welding fittings
Raccords à souder
Raccordi a saldare



Hembra giratoria prensada JIC 37° - soldable con guía

Welding crimped JIC 37° swivel female with guide

Embout à sertir femelle tournante JIC37° à souder

Femmina girevole JIC 37° a saldare con guida



DN	ROSCA THREAD	Referencia Part n°
1/4"	7/16" 20h UNF	A12830704
1/4"	1/2" 20h UNF	A12830804
3/8"	9/16" 18h UNF	A12830906
3/8"	3/4" 16h UNF	A12831206
1/2"	3/4" 16h UNF	A12831208
1/2"	7/8" 14h UNF	A12831408
3/4"	1" 1/16 12h UNF	A12831712
1"	1" 5/16 12h UNF	A12832116
1" 1/4	1" 5/8 12h UNF	A12832620
1" 1/2	1" 7/8 12h UNF	A12833024

Macho JIC 37° - soldable con guía

Welding JIC 37° male with guide

Mâle JIC 37° à souder avec guide

Maschio JIC 37° a saldare con guida



DN	ROSCA THREAD	Referencia Part n°	€
1/4"	7/16" 20h UNF	A10360704	
1/4"	1/2" 20h UNF	A10360804	
3/8"	9/16" 18h UNF	A10360906	
3/8"	3/4" 16h UNF	A10361206	
1/2"	3/4" 16h UNF	A10361208	
1/2"	7/8" 14h UNF	A10361408	
5/8"	7/8" 14h UNF	A10361410	
3/4"	1" 1/16 12h UNF	A10361712	
1"	1" 5/16 12h UNF	A10362116	
1" 1/4	1" 5/8 12h UNF	A10362620	
1" 1/4	1" 7/8 12h UNF	A10363020	

Hembra giratoria 90° prensada JIC 37° - soldable

Welding 90° JIC 37° swivel female

Femelle tournante 90° JIC 37° à souder

Femmina girevole 90° JIC 37° a saldare



DN	ROSCA THREAD	Referencia Part n°	€
1/4"	7/16" 20h UNF	A10410704	
1/4"	1/2" 20h UNF	A10410804	
3/8"	9/16" 18h UNF	A10410906	
1/2"	3/4" 16h UNF	A10411208	
1/2"	7/8" 14h UNF	A10411408	
3/4"	1" 1/16 12h UNF	A10411712	
1"	1" 5/16 12h UNF	A10412116	
1" 1/4	1" 5/8 12h UNF	A10412620	
1" 1/2	1" 7/8 12h UNF	A10413024	

Hembra giratoria 45° prensada JIC 37° - soldable

Welding 45° JIC 37° swivel female

Femelle tournante 45° JIC 37° à souder

Femmina girevole 45° JIC 37° a saldare



DN	ROSCA THREAD	Referencia Part n°	€
1/4"	7/16" 20h UNF	A10420704	
1/4"	1/2" 20h UNF	A10420804	
3/8"	9/16" 18h UNF	A10420906	
1/2"	3/4" 16h UNF	A10421208	
1/2"	7/8" 14h UNF	A10421408	
3/4"	1" 1/16 12h UNF	A10421712	
1"	1" 5/16 12h UNF	A10422116	
1" 1/4	1" 5/8 12h UNF	A10422620	
1" 1/2	1" 7/8 12h UNF	A10423024	



Racores soldables

Raccords à souder
Raccordi a saldare

Boquilla para soldar

Welding nipple

Collet cône Métrique (DIN 2353) à souder (BW) o'ring

Ogiva a saldare



TUBO PIPE	SERIE SERIES	Referencia Part n°	€
15X2,5	L	ORIL 15	*
18X2,5	L	ORIL 18	*
22X2,5	L	ORIL 22	*
28X3	L	ORIL 28	*
35X4	L	ORIL 35	*
42X3	L	ORIL 42	*
6X2	L/S	ORIS 6	*
8X2	L/S	ORIS 8	*
8X1,5	L/S	ORIS 8X1,5*	*
10X2	L/S	ORIS 10X2	*
12X2	L/S	ORIS 12	*
12X2,5	L/S	ORIS 12X2,5	*
14X2	L/S	ORIS 14X2*	*
14X3	S	ORIS 14X3	*
16X3	S	ORIS 16X3	*
20X2,5	S	ORIS 20X2,5	*
20X3	S	ORIS 20X3	*
20X4	S	ORIS 20X4	*
25X4	S	ORIS 25X4	*
30x4	S	ORIS 30X4	*
30x5	S	ORIS 30X5	*
38x5	S	ORIS 38X5	*

* Hasta fin de existencias / Until end of stock / Jusqu'à la fin du stock / Fino ad esaurimento

** Ver precios en pág. 233 / *See prices page 233 / *Voir les prix page 233 / *Vedere prezzi p. 233

Boquilla para soldar cono metal

Metal cone welding nipple

Collet cône Métrique conique en métal

Ogiva a saldare (senza O'ring)



TUBO PIPE	SERIE	Referencia Part n°	€
15x2,5	L	CMORIL 15	*
18x,2,5	L	CMORIL 18	*
22x2,5	L	CMORIL 22	*
28x3	L	CMORIL 28	*
35x4	L	CMORIL 35	*
42x3	L	CMORIL 42	*
6x2	L/S	CMORIS 6	*
8x2	L/S	CMORIS 8	*
10x2	L/S	CMORIS 10	*
12x2	L/S	CMORIS 12	*
14x3	S	CMORIS 14	*
16x3	S	CMORIS 16	*
20x3	S	CMORIS 20	*
25x4	S	CMORIS 25	*
30x5	S	CMORIS 30	*
38x5	S	CMORIS 38	*

Tuerca Métrica DIN 3870

Nuts DIN 3870

Écrou Métrique DIN 3870

Dadi Metrici DIN 3870



TUBO PIPE	SERIE SERIES	ROSCA THREAD	Referencia Part n°	€
4	LL	M8x1	MLL 4 M 8X1	*
6	LL	M10x1	MLL 6 M 10X1	*
8	LL	M12x1	MLL 8 M 12X1	*
6	L	M12x1,5	ML 6 M 12X1,5	*
8	L	M14x1,5	ML 8 M 14X1,5	*
10	L	M16x1,5	ML 10 M 16X1,5	*
12	L	M18x1,5	ML 12 M 18X1,5	*
15	L	M22x1,5	ML 15 M 22X1,5	*
18	L	M26x1,5	ML 18 M 26X1,5	*
22	L	M30x2	ML 22 M 30X2	*
28	L	M36x2	ML 28 M 36X2	*
35	L	M45x2	ML 35 M 45X2	*
42	L	M52x2	ML 42 M 52X2	*
6	S	M14x1,5	MS 6 M 14X1,5	*
8	S	M16x1,5	MS 8 M 16X1,5	*
10	S	M18x1,5	MS 10 M 18X1,5	*
12	S	M20x1,5	MS 12 M 20X1,5	*
14	S	M22x1,5	MS 14 M 22X1,5	*
16	S	M24x1,5	MS 16 M 24X1,5	*
20	S	M30x2	MS 20 M 30X2	*
25	S	M36x2	MS 25 M 36X2	*
30	S	M42x2	MS 30 M 42X2	*
38	S	M52x2	MS 38 M 52X2	*

* Ver precios en página 222 / *See prices page 222 / *Voir les prix page 222 / *Vedere prezzi p. 222

Racor recto para soldar

Metric weldable straight couplings

Raccord droit à souder

Raccordo diritto a saldare



TUBO PIPE	SERIE	Referencia Part n°	€
6	L	STA ASL 6	*
8	L	STA ASL 8	*
10	L	STA ASL 10	*
12	L	STA ASL 12	*
15	L	STA ASL 15	*
18	L	STA ASL 18	*
22	L	STA ASL 22	*
28	L	STA ASL 28	*
35	L	STA ASL 35	*
42	L	STA ASL 42	*
6	S	STA ASS 6	*
8	S	STA ASS 8	*
10	S	STA ASS 10	*
12	S	STA ASS 12	*
14	S	STA ASS 14	*
16	S	STA ASS 16	*
20	S	STA ASS 20	*
25	S	STA ASS 25	*
30	S	STA ASS 30	*
38	S	STA ASS 38	*

* Ver precios en pág. 233 / *See prices page 233 / *Voir les prix page 233 / *Vedere prezzi p. 233

Racores soldables

Welding fittings

Raccords à souder

Raccordi a saldare



Hembra giratoria 45 prensada métrica - soldable

Metric weldable swivel female 45°

Femelle tournante 45° métrique à souder

Femmina girevole 45° metrica a saldare



Hembra giratoria 90 prensada métrica - soldable

Metric weldable swivel female 90°

Femelle tournante 90° métrique à souder

Femmina girevole 90° metrica a saldare



TUBO PIPE	ROSCA THREAD	SERIE SERIES	Referencia Part n°	€
6	12X1,5	L	A10531206	
8	14x1,5	L	A10531408	
10	16X1,5	L	A10531610	
12	18X1,5	L	A10531812	
15	22X1,5	L	A10532215	
18	26X1,5	L	A10532618	
22	30X2	L	A10533022	
28	36X2	L	A10533628	
35	45X2	L	A10534535	
42	52X2	L	A10535242	
6	14x1,5	S	A10531406	
8	16X1,5	S	A10531608	
10	18X1,5	S	A10531810	
12	20X1,5	S	A10532012	
14	22X1,5	S	A10532214	
16	24x1,5	s	A10532416	
20	30X2	S	A10533020	
25	36X2	S	A10533625	
30	42X2	S	A10534230	
38	52X2	S	A10535238	

TUBO PIPE	SERIE SERIES	ROSCA THREAD	Referencia Part n°	€
6	L	12X1,5	A10521206	
8	L	14X1,5	A10521408	
10	L	16X1,5	A10521610	
12	L	18X1,5	A10521812	
15	L	22X1,5	A10522215	
18	L	26X1,5	A10522618	
22	L	30X2	A10523022	
28	L	36X2	A10523628	
35	L	45X2	A10524535	
42	L	52X2	A10525242	
6	S	14X1,5	A10521406	
8	S	16X1,5	A10521608	
10	S	18X1,5	A10521810	
12	S	20X1,5	A10522012	
14	S	22X1,5	A10522214	
16	S	24X1,5	A10522416	
20	S	30X2	A10523020	
25	S	36X2	A10523625	
30	S	42X2	A10524230	
38	S	52X2	A10525238	



Racores soldables

Welding fittings

Raccords à souder

Raccordi a saldare

Cono ajuste sin guía

Welding nipple without guide

Collet à souder sans guide

Ogiva a saldare BSP



DN	ROSCA THREAD	Referencia Part n°	€
1/4"	1/4" BSP	A127304	
3/8"	3/8" BSP	A127306	
1/2"	1/2" BSP	A127308	
3/4"	3/4" BSP	A127312	
1"	1" BSP	A127316	
1"1/4"	1"1/4 BSP	A127320	
1"1/2"	1"1/2 BSP	A127324	
2"	2" BSP	A127332	

Espiga lisa métrica recta

Metric standpipe

Embout lisse métrique droit

Estremità tubolare diritta Metrica



Ø EXT. Ø OUTER	Ø INT. Ø INNER	Referencia Part n°	€
7	10	KL0010	
9	12	KL0012	
10	14	KL0014	
12	15	KL0015	
12	16	KL0016	
14	18	KL0018	
14	20	KL0020	
18	22	KL0022	

Tuerca para cono ajuste 60° BSP

BSP nut for welding nipple 60° cone

Écrou BSP pour collet à souder bw (60°)

Dado BSP per ogiva cono 60° a saldare



ROSCA THREAD	Referencia Part n°	€
1/4" BSP	A127004	
3/8" BSP	A127006	
1/2" BSP	A127008	
3/4" BSP	A127012	
1" BSP	A127016	
1"1/4 BSP	A127020	
1"1/2 BSP	A127024	
2" BSP	A127032	

Cono ajuste BSP 60° con guía >2"

Welding nipple with 60° cone for BSP nut with guide >2"

Collet à souder BSP cône 60° avec guide >2"

Ogiva cono 60° a saldare con guida per dado BSP > 2"



DN	ROSCA THREAD	Referencia Part n°	€
2"1/2	2"1/2 BSP	Z127840	*
3"	3" BSP	Z127848	*
4"	4" BSP	Z127864	*

*Ver precios en catálogo de inoxidable / *Prices in Stainless Steel Catalogue / *Prix dans le Catalogue Acier Inox / *Prezzi in Acciaio Inossidabile

Macho BSPT soldar microfundido AISI-316 >2"

Micro-casting BSPT welding male AISI-316 >2"

Mâle BSPT à souder en acier moulé AISI-316 >2"

Maschio BSPT a saldare microfuso AISI-316 >2"



DN	ROSCA THREAD	Referencia Part n°	€
2"1/2	2"1/2 BSPT	ZM103240	*
3"	3" BSPT	ZM103248	*
4"	4" BSPT	ZM103264	*

*Ver precios en catálogo de inoxidable / *Prices in Stainless Steel Catalogue / *Prix dans le Catalogue Acier Inox / *Prezzi in Acciaio Inossidabile

Tuercas BSP Microfundido AISI-316 >2"

Micro-casting BSP nuts AISI-316 >2"

Écrous BSP en acier moulé AISI-316 >2"

Dadi BSP microfusi AISI-316 >2"



ROSCA THREAD	Referencia Part n°	€
2" 1/2 BSP	Z127040	*
3" BSP	Z127048	*
4" BSP	Z127064	*

*Ver precios en catálogo de inoxidable / *Prices in Stainless Steel Catalogue / *Prix dans le Catalogue Acier Inox / *Prezzi in Acciaio Inossidabile

Bridas soldables

Welding flanges

Flange a saldare



Brida fija DIN 2633/EN-1092-1 PN 10/16

Fixed forged flange DIN 2633/EN-1092-1 PN 10/16

Bride fixe avec collerette DIN 2633/EN-1092-1 PN 10/16 à souder

Flangia fissa a saldare DIN 2633/EN-1092-1 PN 10/16



DN	Referencia Part n°	€
3/8"	BPN16263306	
1/2"	BPN16263308	
3/4"	BPN16263312	
1"	BPN16263316	
1"1/4	BPN16263320	
1"1/2	BPN16263324	
2"	BPN16263332	
2"1/2	BPN16263340	
3"	BPN16263348	
4"	BPN16263364	

Brida fija DIN 2635/EN-1092-1 PN 40

Fixed forged flange DIN 2635/EN-1092-1 PN 40

Bride fixe avec collerette DIN 2635/EN-1092-1 PN 40 à souder

Flangia fissa a saldare DIN 2635/EN-1092-1 PN 40



DN	Referencia Part n°	€
3/8"	BPN40263506	
1/2"	BPN40263508	
3/4"	BPN40263512	
1"	BPN40263516	
1"1/4	BPN40263520	
1"1/2	BPN40263524	
2"	BPN40263532	
2"1/2	BPN40263540	
3"	BPN40263548	
4"	BPN40263564	

Brida ANSI-ASA Neck 150 LBS

Flange ANSI-ASA w.Neck 150 LBS

Bride ANSI-ASA w. Neck 150 LBS

Flangia ANSI-ASA 150 LBS



DN	Referencia Part n°
1/2"	BANSAWN15008
3/4"	BANSAWN15012
1"	BANSAWN15016
1"1/4	BANSAWN15020
1"1/2	BANSAWN15024
2"	BANSAWN15032
2"1/2	BANSAWN15040
3"	BANSAWN15048
4"	BANSAWN15064

Brida ANSI-ASA Neck 300 LBS

Flange ANSI-ASA w.Neck 300 LBS

Bride ANSI-ASA w. Neck 300 LBS

Flangia ANSI-ASA Neck 300 LBS



DN	Referencia Part n°
1/2"	BANSAWN30008
3/4"	BANSAWN30012
1"	BANSAWN30016
1"1/4	BANSAWN30020
1"1/2	BANSAWN30024
2"	BANSAWN30032
2"1/2	BANSAWN30040
3"	BANSAWN30048
4"	BANSAWN30064

Bridas soldables

Welding flanges

Flange a saldare

Brida loca DIN 2642/EN-1092-1 PN 10/16

Swivel forged flange DIN 2642/EN-1092-1 PN 10/16

Bride plate tournante DIN 2642/EN-1092-1 PN 10/16 à souder

Flangia girevole a saldare DIN 2642/EN-1092-1 PN 10/16



DN	Referencia Part n°	€
3/8"	BPN10264206	
1/2"	BPN10264208	
3/4"	BPN10264212	
1"	BPN10264216	
1"1/4	BPN10264220	
1"1/2	BPN10264224	
2"	BPN10264232	
2"1/2	BPN10264240	
3"	BPN10264248	
4"	BPN10264264	

Aro para brida DIN 2642/EN-1092-1

Ring for flange DIN 2642/EN-1092-1

Collet épais pour bride DIN 2642/EN-1092-1

Anello per flangia DIN 2642/EN-1092-1



DN	Referencia Part n°
3/8"	ABARO264206
1/2"	ABARO264208
3/4"	ABARO264212
1"	ABARO264216
1"1/4	ABARO264220
1"1/2	ABARO264224
2"	ABARO264232
2"1/2	ABARO264240
3"	ABARO264248
4"	ABARO264264

Tubo soldar brida ANSI-DIN

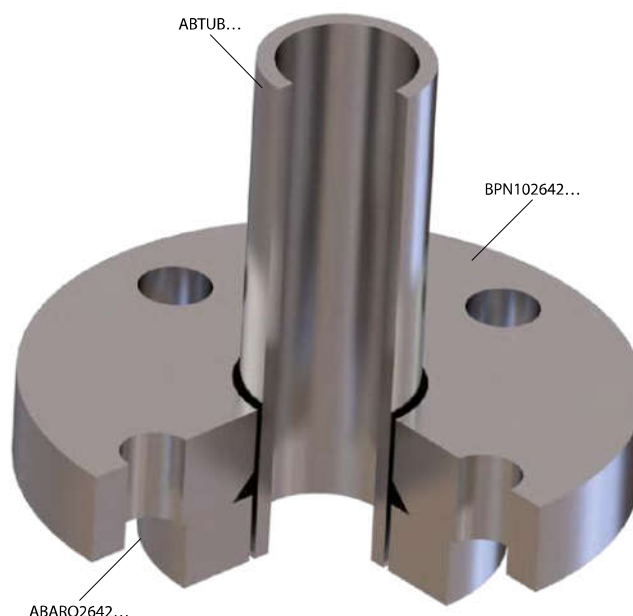
Tube for welding flanges ANSI-DIN

Tube à souder brides ANSI-DIN

Tubo per flangia a saldare ANSI-DIN



DN	Referencia Part n°	€
3/8"	ABTUB006	
1/2"	ABTUB008	
3/4"	ABTUB012	
1"	ABTUB016	
1"1/4	ABTUB020	
1"1/2	ABTUB024	
2"	ABTUB032	
2"1/2	ABTUB040	
3"	ABTUB048	
4"	ABTUB064	



Bridas soldables

Welding flanges

Brides à souder

Flange a saldare



Brida loca DIN 2642/EN-1092-1 PN 40

Swivel forged flange DIN 2656/EN-1092-1 PN 40

Bride plate tournante DIN 2656/EN-1092-1 PN 40 à souder

Flangia girevole a saldare DIN 2656/EN-1092-1 PN 40



DN	Referencia Part n°
3/8"	BPN40265606
1/2"	BPN40265608
3/4"	BPN40265612
1"	BPN40265616
1"1/4	BPN40265620
1"1/2	BPN40265624
2"	BPN40265632
2"1/2	BPN40265640
3"	BPN40265648
4"	BPN40265664

Tubo soldar brida ANSI-DIN

Tube for welding flanges ANSI-DIN

Tube à souder brides ANSI-DIN

Tubo per flangia a saldare ANSI-DIN



DN	Referencia Part n°	€
3/8"	ABTUB006	
1/2"	ABTUB008	
3/4"	ABTUB012	
1"	ABTUB016	
1"1/4	ABTUB020	
1"1/2	ABTUB024	
2"	ABTUB032	
2"1/2	ABTUB040	
3"	ABTUB048	
4"	ABTUB064	

Aro para brida DIN 2656/EN-1092-1

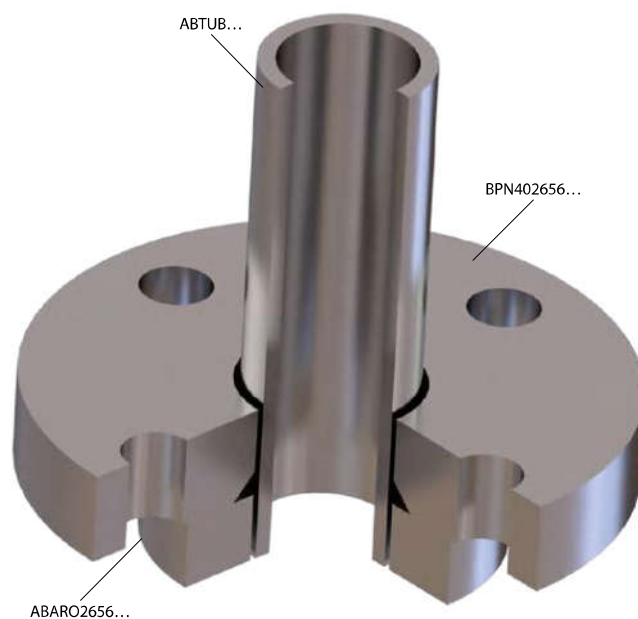
Ring for flange DIN 2656/EN-1092-1

Collet épais pour bride DIN 2656/EN-1092-1

Anello per flangia DIN 2656/EN-1092-1



DN	Referencia Part n°	€
3/8"	ABARO265606	
1/2"	ABARO265608	
3/4"	ABARO265612	
1"	ABARO265616	
1"1/4	ABARO265620	
1"1/2	ABARO265624	
2"	ABARO265632	
2"1/2	ABARO265640	
3"	ABARO265648	





Bridas soldables

Welding flanges
Brides à souder
Flange a saldare

Brida loca ANSI-ASA 150 LBS

Swivel flange ANSI-ASA 150 LBS

Bride tourn. ANSI-ASA 150 LBS

Flangia ANSI-ASA 150 LBS



DN	Referencia Part n°	€
1/2"	BANSASO15008	
3/4"	BANSASO15012	
1"	BANSASO15016	
1"1/4	BANSASO15020	
1"1/2	BANSASO15024	
2"	BANSASO15032	
2"1/2	BANSASO15040	
3"	BANSASO15048	
4"	BANSASO15064	

Brida loca ANSI-ASA 300 LBS

Swivel flange ANSI-ASA 300 LBS

Bride tourn. ANSI-ASA 300 LBS

Flangia ANSI-ASA 300 LBS



DN	Referencia Part n°	€
1/2"	BANSASO30008	
3/4"	BANSASO30012	
1"	BANSASO30016	
1"1/4	BANSASO30020	
1"1/2	BANSASO30024	
2"	BANSASO30032	
2"1/2	BANSASO30040	
3"	BANSASO30048	
4"	BANSASO30064	

Tubo soldar brida ANSI-DIN

Tube for welding flanges ANSI-DIN

Tube à souder brides ANSI-DIN

Tubo per flangia a saldare ANSI-DIN



DN	Referencia Part n°	€
3/8"	ABTUB006	
1/2"	ABTUB008	
3/4"	ABTUB012	
1"	ABTUB016	
1"1/4	ABTUB020	
1"1/2	ABTUB024	
2"	ABTUB032	
2"1/2	ABTUB040	
3"	ABTUB048	
4"	ABTUB064	

Aro para brida ANSI-ASA 150/300 LBS

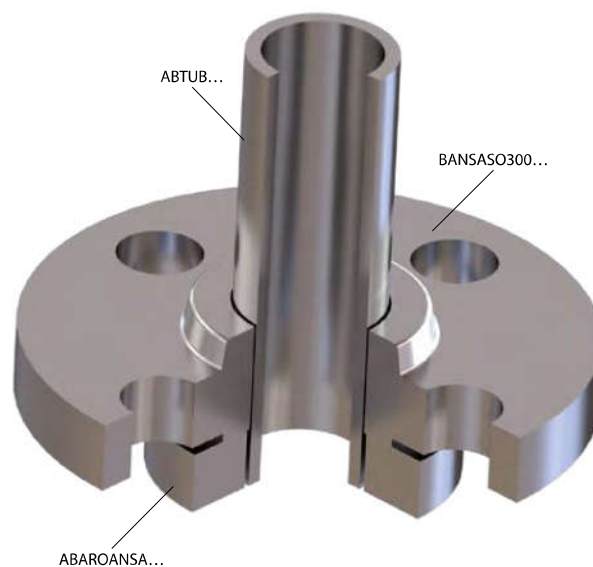
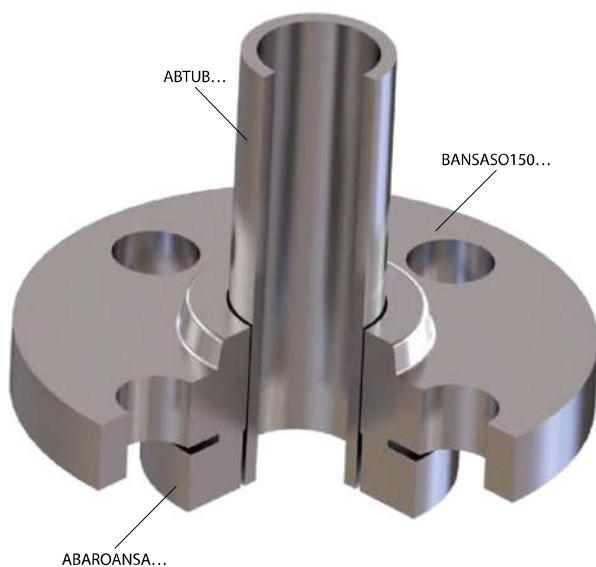
Ring for welding flanges ANSI-ASA 150/300 LBS

Collet épais pour bride ANSI-ASA 150/300 LBS

Anello per flangia ANSI-ASA 150/300 LBS



DN	Referencia Part n°	€
1/2"	ABAROANSA08	
3/4"	ABAROANSA12	
1"	ABAROANSA16	
1"1/4	ABAROANSA20	
1"1/2	ABAROANSA24	
2"	ABAROANSA32	
2"1/2	ABAROANSA40	
3"	ABAROANSA48	
4"	ABAROANSA64	



Mangueras baja presión 196

Low pressure hoses
Tuyaux basse pression
Tubi bassa pressione

Racores baja presión 197

Low pressure fittings
Raccords basse pression
Raccordi bassa pressione



04

| BAJA PRESIÓN

Low pressure

Basse pression

Tubi a bassa pressione

Mangueras baja presión

Low pressure hoses
Tuyaux basse pression
Tubi bassa pressione

Mangueras de caucho sintético ▪ Synthetic rubber hoses (diesel oil) ▪ Tuyaux de caoutchouc synthétique (gas-oil) ▪
Tubi di caucciú sintetico (diesel)

196



M100

M110

Racores baja presión

Low pressure fittings
Raccords basse pression

Casquillos (campanillas) ▪ Sleeves ▪ Jupes basse pression ▪ Boccole

197



Conexiones BSP ▪ BSP Fittings ▪ Embouts BSP basse pression ▪ Raccordi BSP

197



D5062

D5060

D5052

D5050

D5070

D5091

Conexiones Métricas ▪ Metric fittings ▪ Embouts Métriques basse pression ▪ Raccordi Metrici

198



D5062

D5060

D5082

D5080

D5070

D5090

D5085

D5020

Mangueras baja presión

Low pressure hoses
Tuyaux basse pression
Tubi bassa pressione



Manguera de caucho sint. con una malla de ac. galvanizado (gasoil)

Synth. rubber hose with a galvanized steel braided (gasoil)

Tuyau de caoutchouc synthétique avec une tresse d'acier galvanisé (gasoil)

Tubo di caucciú sintético con una treccia di acciaio galvanizzato (gasolio)



Ø INT. Ø INNER	Referencia Part n°	€
5	M10005	
6	M10006	
7	M10007	
8	M10008	
9	M10009	
12	M10012	
14	M10014	
15	M10015	
18	M10018	
20	M10020	
22	M10022	
26	M10025	
30	M10030	
40	M10040	
50	M10050	

Manguera de caucho sint. con una malla textil de alta tenacidad (gasoil y gasolina)

Synth. rubber hose with a textile braided high toughness (gasoil and gasoline)

Tuyau de caoutchouc synthétique avec une tresse textile d'haute tenacité (gasoil et essence)

Tubo di caucciú sintético con una treccia tessile ad alta resistenza (gasolio e benzina)



Ø INT. Ø INNER	Referencia Part n°	€
4	M11004	
5	M11005	
6	M11006	
7	M11007	
8	M11008	
9	M11009	
12	M11012	4

Máquina prensar baja presión | Low pressure crimping machine | Presse basse pression | Macchina pressatubi bassa pressione

Mordazas incluidas | Included dies | Mors inclus | Morsetti inclusi
Ø10-13-16 mm.

Ø máx. | Ø max. | Ø max. | Ø massimo

25 mm.

Apertura | Opening | Overture | Apertura

+21 mm.

Peso | Weight | Poids | Peso

12 kg.

Dimensiones | Dimensions | Dimensions | Dimensioni

500 x 180 x 310 mm.

PBHP 25 N





Racores baja presión

Low pressure fittings
Raccords basse pression
Raccordi bassa pressione

Campana acero para manguera de baja presión

Sleeves for low pressure hose (steel)

Jupe acier doux malléable pour tuyau basse pression

Boccola in acciaio sottile per tubo bassa pressione



Ø EXT. Ø OUTER	Ø INT. Ø INNER	Referencia Part n°	€
11,6	10,5	A50101050000	
13,7	12,4	A50101200000	
14,7	13,5	A50101350000	
15,6	14,5	A50101450000	
16,5	15,5	A50101550000	
18,8	17,3	A50101700000	
19,5	18,5	A50101850000	
22,9	20,5	A50102050000	
23,9	22,5	A50102250000	
26,2	24,5	A50102450000	
28	26,4	A50102600000	
30	28	A50102800000	
32,2	30	A50103000000	
35,5	33,5	A50103300000	
38,2	36	A50103600000	
45,2	42,2	A50104200000	
60,8	56	A50105600000	
65,5	61	A50106100000	
70,3	66,5	A50106650000	
76,7	71	A50107100000	

Campana aluminio para racor industrial - cierre 45°

Crimping ferrule 45° closure (aluminium)

Jupe aluminium pour raccord industriel - fermeture 45°

Boccola alluminio per raccordo industriale - chiusura 45°



Ø INT. Ø INNER	Referencia Part n°	€
11	ALCA011000	*
12,9	ALCA012900	*
13,4	ALCA013400	*
14,5	ALCA014500	*
15,5	ALCA015500	*
17,5	ALCA017500	*
18,5	ALCA018500	*
20,5	ALCA020500	*
21,5	ALCA021500	*
24,5	ALCA024500	*
26,5	ALCA026500	*
27,5	ALCA027500*	*
28,5	ALCA028500	*
30	ALCA030000	*
33	ALCA033000	*
36	ALCA036000	*
39	ALCA039000	*
46	ALCA046000	*
43	ALCA043000	*
48	ALCA048000	*
50	ALCA050000	*
54	ALCA054000	*
56,5	ALCA056500	*
63	ALCA063000	*
67	ALCA067000	*
84	ALCA083000	*
98	ALCA099000	*
123	ALCA121000	*

Ver precios en p.171 / See prices in p.171 / Prix à la p.171 / Vedere prezzi p.171

* Hasta fin de existencias / Until end of stock / Jusqu'à la fin du stock / Fino ad esaurimento

Macho BSP rosca cilíndrica asiento cónico 60°

BSP Cylindrical male low pressure 60° cone

Embout mâle fixe BSP cône 60° basse pression

Portagomma maschio cilindrico BSP 60°



DN	ROSCA THREAD	Referencia Part n°	€
5-6	1/4"	D50420405000	
7-8	1/4"	D50420407000	
8-9	1/4"	D50420408000*	
7-8	3/8"	D50420607000	
9-10	3/8"	D50420609000	
12-13	3/8"	D50420612000	
12-13	1/2"	D50420812000	
15-16	1/2"	D50420815000	
15-16	3/4"	D50421216000	
19-20	3/4"	D50421220000	
19-20	1"	D50421620000	
25	1"	D50421625000	
30	1"1/4	D50422030000	
40	1"1/2	D50422440000	
50	2"	D50423250000	

* Hasta fin de existencias / Until end of stock / Jusqu'à la fin du stock / Fino ad esaurimento

Macho BSP rosca cilíndrica asiento plano

Low pressure BSP cylindrical male flat seat

Embout mâle gaz fond plat basse pression

Portagomma maschio cilindrico BSP sede piana



DN	ROSCA THREAD	Referencia Part n°	€
5-6	1/8"	D50400205000	
5-6	1/4"	D50400405000	
7-8	1/4"	D50400407000	
7-8	3/8"	D50400607000	
9-10	3/8"	D50400609000	
12-13	1/2"	D50400812000	
15-16	1/2"	D50400815000	
15-16	3/4"	D50401216000	
19-20	3/4"	D50401220000	
19-20	1"	D50401620000	
25	1"	D50401625000	
30	1"1/4	D50402030000	
40	1"1/2	D50402440000	
50	2"	D50403250000	

Racores baja presión

Low pressure fittings

Raccordi bassa pressione



Boquilla asiento cónico 60° (BSP) baja presión

BSP Nipple 60° cone low pressure

Nipple embout femelle BSP 60° basse pression

Portagomma cono 60° BSP



DN	TUERCA NUT	Referencia Part n°	€
5-6	1/4"	D50520405000	
7-8	1/4"	D50520407000	
7-8	3/8"	D50520607000	
9-10	3/8"	D50520609000	
12-13	1/2"	D50520812000	
15-16	1/2"	D50520815000	
15-16	3/4"	D50521216000	
19-20	3/4"	D50521220000	
19-20	1"	D50521620000	
25	1"	D50521625000	
30	1"1/4	D50522030000	
40	1"1/2	D50522440000	
50	2"	D50523250000	

Boquilla asiento plano (BSP) baja presión

BSP Nipple flat seat

Nipple embout femelle fond plat BSP basse pression

Portagomma sede piana BSP



DN PIPE	TUERCA NUT	Referencia Part n°	€
5-6	1/4"	D50500405000	
7-8	1/4"	D50500407000	
9-10	3/8"	D50500609000	
12-13	1/2"	D50500812000	
15-16	1/2"	D50500815000	
15-16	3/4"	D50501216000	
19-20	3/4"	D50501220000	
19-20	1"	D50501620000	
25	1"	D50501625000	
30	1"1/4	D50502030000	
40	1"1/2	D50502440000	
50	2"	D50503250000	

Tuerca BSP

BSP Nut

Ecrou BSP

Dado BSP



ROSCA THREAD	Referencia Part n°
1/4" BSP	D50300400000
3/8" BSP	D50300600000
1/2" BSP	D50300800000
3/4" BSP	D50301200000
1" BSP	D50301600000
1"1/4 BSP	D50302000000
1"1/2 BSP	D50302400000
2" BSP	D50303200000

4

Codo 90° baja gas cono 60°

90° BSP Swivel female 60° cone low pressure

Embout femelle 90° gaz cyl BSP 60° basse pression

Portagomma femmina 90° BSP 60°



DN PIPE	ROSCA THREAD	Referencia Part n°	€
5-6	1/4"	D50910405000	
7-8	1/4"	D50910407000	
9-10	3/8"	D50910609000	
12-13	1/2"	D50910812000	
15-16	1/2"	D50910815000	
15-16	3/4"	D50911216000	
19-20	3/4"	D50911220000	
19-20	1"	D50911620000	
25	1"	D50911625000	
30	1"1/4	D50912030000	

Macho rosca métrica asiento cónico 60° baja presión

Metric cylindrical male 60° cone

Embout mâle DIN métrique cône 60° basse pression

Portagomma maschio metrico 60°



DN	ROSCA THREAD	Referencia Part n°	€
5-6	10X1	D50621005000	
7-8	12X1,5	D50621207000	
9-10	14X1,5	D50621409000	
9-10	16X1,5	D50621609000	
12-13	16X1,5	D50621612000	
9-10	18X1,5	D50621810000	
12-13	22X1,5	D50622212000	
15-16	22X1,5	D50622215000	
12-13	26X1,5	D50622612000	
15-16	26X1,5	D50622615000	

Macho rosca métrica asiento plano baja presión

Metric cyl male flat seat low pressure

Embout mâle métrique fond plat basse pression

Portagomma maschio metrico sede piana



DN	ROSCA THREAD	Referencia Part n°
5-6	10X1	D50601005000
7-8	12X1,5	D50601207000
9-10	14X1,5	D50601409000
9-10	16X1,5	D50601609000
12-13	16X1,5	D50601612000
9-10	18X1,5	D50601810000
12-13	22X1,5	D50602212000
15-16	22X1,5	D50602215000
12-13	26X1,5	D50602612000
15-16	26X1,5	D50602615000



Racores baja presión

Low pressure fittings
Racords basse pression
Raccordi bassa pressione

Boquilla asiento cónico 60° (Métrica) baja presión

Metric nipple 60° cone low pressure

Nipple pour embout femelle DIN métrique cône 60° basse pression

Portagomma cono 60° metrico



DN	TUERCA NUT	Referencia Part n°	€
5-6	10X1	D50821005000	
7-8	12X1,5	D50821207000	
9-10	14X1,5	D50821409000	
9-10	16X1,5	D50821609000	
9-10	18X1,5	D50821810000	
12-13	22X1,5	D50822212000	
15-16	22X1,5	D50822215000	
12-13	26X1,5	D50822612000	
15-16	26X1,5	D50822615000	

Boquilla asiento plano (Métrica) baja presión

Metric nipple flat seat low pressure

Nipple pour embout femelle métrique fond plat basse pression

Portagomma sede piana metrica



DN	TUERCA NUT	Referencia Part n°	€
5-6	10X1	D50801005000	
7-8	12X1,5	D50801207000	
9-10	14X1,5	D50801409000	
9-10	16X1,5	D50801609000	
9-10	18X1,5	D50801810000	
12-13	22X1,5	D50802212000	
15-16	22X1,5	D50802215000	
12-13	26X1,5	D50802612000	
15-16	26X1,5	D50802615000	

Tuerca Métrica

Metric nut

Écrou métrique

Dado Metrico



ROSCA THREAD	Referencia Part n°	€
10X1	D50701000000	
12X1,5	D507012000000	
14X1,5	D507014000000	
16X1,5	D507016000000	
18X1,5	D507018000000	
22X1,5	D507022000000	
26X1,5	D507026000000	

Boquilla 90° asiento cónico 60° (Métrica) baja presión

90° Swivel female Metric cylindrical 60° cone low pressure

Embout femelle 90° métrique cône 60° basse pression

Portagomma femmina 90° metrica 60°



DN	ROSCA THREAD	Referencia Part n°	€
7-8	12X1,5	D50901207000	
9-10	14X1,5	D50901409000	
9-10	16X1,5	D50901609000	

Espiga lisa métrica baja presión

Metric standpipe low pressure

Embout lisse métrique basse pression

Estremità tubolare Metrica bassa pressione



DN	TUBO PIPE	Referencia Part n°	€
5-6	4	D50850405000	
5-6	6	D50850606000	
5-6	8	D50850806000	
7-8	8	D50850808000	
7-8	10	D50851008000	
9-10	10	D50851010000	
12-13	12	D50851212000	
15-16	15	D50851515000	
15-16	18	D50851815000	

Orientable métrico baja presión

Low pressure metric banjo

Embout banjo métrique basse pression

Raccordo ad occhio Metrico bassa pressione




DN	Ø	Referencia Part n°	€
5-6	8	D50200805	
7-8	8	D50200807	
5-6	10	D50201005	
7-8	10	D50201007	
9-10	10	D50201009	
5-6	12	D50201205	
7-8	12	D50201207	
9-10	12	D50201209	
5-6	14	D50201405	
7-8	14	D50201407	
9-10	14	D50201409	

Manguera aire acondicionado **204**

Air conditioning hose
Tuyau Freon
Tubo Freon

Racores aire acondicionado **205**

Air conditioning fittings
Raccords climatisation
Raccordi aria condizionata



05

| AIRE ACONDICIONADO

Air conditioning hoses and fittings

Climatisation

Aria condizionata

Manguera aire acondicionado

Air conditioning hose

Tuyau Freon

Tube Freon

Mangueras Freón ▪ Air conditioning hose ▪ Tuyau Freon ▪ Tubo Freon

| 204



MSB25

Racores aire acondicionado

Air conditioning fittings
Raccords climatisation
Raccordi aria condizionata

INDUSTRIAL
HOSES

INDUSTRIAL
FITTINGS

STAINLESS STEEL HOSE
WELDING FITTINGS/FLANGES

I / W PRESSURE

AIR CONDITIONING
HOSES AND FITTINGS

Rotalock sin válvula ▪ Rotalock without valve ▪ Raccords Rotalock sans vanne ▪ Raccordi Rotalock senza valvola | 205



Rotalock con válvula ▪ Rotalock with valve ▪ Raccords Rotalock avec vanne ▪ Raccordi Rotalock con valvola | 205



Racores de unión ▪ Couplings ▪ Raccord union ▪ Raccordi di unione | 205



Hembras con junta tórica sin válvula ▪ Swivel female with green joint ▪ Femelles tournantes avec joint vert sans vanne ▪ Femmine con o´ring senza valvola | 206



Hembras con junta tórica con válvula ▪ Swivel female with green joint with valve ▪ Femelles tournantes avec joint vert et avec vanne ▪ Femmine con o´ring e valvola | 206



Machos con junta tórica ▪ Males with green joint ▪ Mâles avec joint vert ▪ Maschi con o´ring | 206



Conexiones rosca SAE ▪ Swivel females SAE ▪ Femelles tournantes SAE ▪ Raccordi SAE | 207



Conexiones con válvula para Freón 12 ▪ Fittings with valve for air conditioning 12 ▪ Embouts climatisation pour Freón 12 avec vanne ▪ Raccordi con valvola per Freon 12 | 207



Juntas tóricas ▪ Joints ▪ Joints toriques ▪ O´ring | 207



*FREON

Manguera aire acondicionado

Air conditioning hose
Tuyau Freon
Tubo Freon



Freón TrAde®

Air conditioning TrAde®

Tuyaux Freon TrAde®

Tubo Freon TrAde®



DN	Referencia Part n°	€
8 5/16"	MSB2506	
10,3 13/32"	MSB2508	
13 1/2"	MSB2510	
16 5/8"	MSB2512	

Mangueras Freón Barrier N (polivalente)

Air Conditioning Barrier N Hose Freon



SAE J51
SAE J2064-C



-30 / 95 °C

- Está compuesta por Nitrilo, Nylon y Neopreno. Cubierta exterior de EPDM resistente al calor, abrasión y al exterior.

Tube: Nitrile, Nylon and Neoprene. Outer cover of EPDM, heat, abrasion and ozone resistant.

- Refrigerantes / refrigerants
R134a-R404-R410

Prensa manual

Manual crimping machine

Prensa Freón. Ref. V001040
(sin juegos de mordazas)
Air conditioning hose crimping machine (without clamps)

PM16ELBOW-8J Die set

Prensas eléctricas

Electric crimping machine

Disponemos de garras de freón para las prensas
SE 25 - PE 25 / 28 / 32 / 38 / 50 / 58 / 4-50 - PE 180 - PES 50...
We have air conditioning clamps for the following machines
SE 25 - PE 25 / 28 / 32 / 38 / 50 / 58 / 4-50 - PE 180 - PES 50...

Racores aire acondicionado

Air conditioning fittings

Raccords climatisation

Raccordi aria condizionata

Hembra recta con junta Rotalock

Straight female with Rotalock joint

Femelle climatisation droite Rotalock avec raccord tube 'o' compresseur

Femmina diritta con guarnizione Rotalock



DN	ROSCA THREAD	Referencia Part n°	€
13/32"	1" 14h UNS	FXR 1108	
1/2"	1" 14h UNS	FXR 1110	
5/8"	1" 14h UNS	FXR 1112	

Hembra 90° con junta Rotalock

90° Female with Rotalock joint

Femelle climatisation 90° Rotalock avec raccord tube 90° 'o' compresseur

Femmina a 90° con guarnizione Rotalock



DN	ROSCA THREAD	Referencia Part n°	€
13/32"	1" 14h UNS	FX90 1108	
1/2"	1" 14h UNS	FX90 1110	
5/8"	1" 14h UNS	FX90 1112	

Hembra 45° con junta Rotalock

45° Female with Rotalock joint

Femelle climatisation 45° Rotalock avec raccord tube 45° 'o' compresseur

Femmina a 45° con guarnizione Rotalock



DN	ROSCA THREAD	Referencia Part n°	€
13/32"	1" 14h UNS	FX45 1108	
1/2"	1" 14h UNS	FX45 1110	
5/8"	1" 14h UNS	FX45 1112	

Hembra especial 90° con junta Rotalock

90° Special female with Rotalock joint

Femelle climatisation spéciale 90° rotalock avec raccord tube 90° spécial 'o' compresseur

Femmina a 90° speciale con guarnizione Rotalock



DN	ROSCA THREAD	Referencia Part n°	€
13/32"	1" 14h UNS	FXA90 1108	
1/2"	1" 14h UNS	FXA90 1110	

Hembra recta con junta Rotalock y válvula 134

Straight female with Rotalock joint and 134 valve

Femelle droite Rotalock avec joint et vanne pour 134

Femmina diritta con guarnizione Rotalock e valvola 134



DN	ROSCA THREAD	Referencia Part n°	€
13/32"	1" 14h UNS	134 FXRV 1108	
1/2"	1" 14h UNS	134 FXRV 1110	
5/8"	1" 14h UNS	134 FXRV 1112	

Hembra 45° con junta Rotalock y válvula 134

45° Female with Rotalock joint and 134 valve

Femelle 45° Rotalock avec joint et vanne pour 134

Femmina a 45° con guarnizione Rotalock e valvola 134



DN	ROSCA THREAD	Referencia Part n°	€
13/32"	1" 14h UNS	134 FX45V 1108	
1/2"	1" 14h UNS	134 FX45V 1110	

Hembra 90° con junta Rotalock y válvula 134

90° Female with Rotalock joint and 134 valve

Femelle 90° Rotalock avec joint et vanne pour 134

Femmina a 90° con guarnizione Rotalock e valvola 134



DN	ROSCA THREAD	Referencia Part n°	€
13/32"	1" 14h UNS	134 FX90V 1108	
1/2"	1" 14h UNS	134 FX90V 1110	
5/8"	1" 14h UNS	134 FX90V 1112	

Hembra especial 90° con junta Rotalock y válvula 134

90° special Female with Rotalock joint and 134 valve

Femelle climatisation spéciale 90° Rotalock avec joint et vanne pour 134

Femmina a 90° speciale con guarnizione Rotalock e valvola 134



DN	ROSCA THREAD	Referencia Part n°	€
13/32"	1" 14h UNS	134 FXAV90 1108	
1/2"	1" 14h UNS	134 FXAV90 1110	

Racor de unión con válvula 134

134 valve coupling

Raccord d'union climatisation avec vanne pour splicer vanne pour 134

Raccordo di unione tubi con valvola 134



DN	Referencia Part n°	€
5/16"	134 URTV 0006	
13/32"	134 URTV 0008	
1/2"	134 URTV 0010	
5/8"	134 URTV 0012	

Racor de unión

Hose-hose coupling

Raccord d'union climatisation splicer

Raccordo di unione tubo-tubo



DN	Referencia Part n°	€
5/16"	URT 0006	
13/32"	URT 0008	
1/2"	URT 0010	
5/8"	URT 0012	

Racores aire acondicionado

Air conditioning fittings
Raccords climatisation
Raccordi aria condizionata

Hembra giratoria recta con junta verde

Straight swivel female with green joint

Femelle tournante avec joint vert

Femmina diritta con o'ring verde



DN	ROSCA THREAD	Referencia Part n°	€
5/16"	5/8" 18h UNF	FOR 0606	
13/32"	3/4" 16h UNF	FOR 0808	
1/2"	7/8" 14h UNF	FOR 1010	
5/8"	7/8" 14h UNF	FOR 1012	
5/8"	1"1/16 12h UNF	FOR 1212	

Hembra giratoria 45° con junta verde

45° swivel female with green joint

Femelle tournante 45° avec joint vert

Femmina a 45° con o'ring verde



DN	ROSCA THREAD	Referencia Part n°	€
5/16"	5/8" 18h UNF	FO45 0606	
13/32"	3/4" 16h UNF	FO45 0808	
1/2"	7/8" 14h UNF	FO45 1010	
5/8"	7/8" 14h UNF	FO45 1012	
5/8"	1"1/16 12h UNF	FO45 1212	

Hembra giratoria 90° con junta verde

90° swivel female with green joint

Femelle tournante 90° avec joint vert

Femmina a 90° con o'ring verde



DN	ROSCA THREAD	Referencia Part n°	€
5/16"	5/8" 18h UNF	F090 0606	
13/32"	3/4" 16h UNF	F090 0808	
1/2"	7/8" 14h UNF	F090 1010	
5/8"	7/8" 14h UNF	F090 1012	
5/8"	1"1/16 12h UNF	F090 1212	

Hembra giratoria recta con válvula

Straight swivel female with green joint and valve

Femelle tournante avec joint vert et vanne pour 134

Femmina diritta con o'ring verde e valvola 134



DN	ROSCA THREAD	Referencia Part n°	€
5/16"	5/8" 18h UNF	FORV 0606	
13/32"	3/4" 16h UNF	FORV 0808	
1/2"	7/8" 14h UNF	FORV 1010	
5/8"	7/8" 14h UNF	FORV 1012	
5/8"	1"1/16 12h UNF	FORV 1212	

Hembra giratoria 90° con válvula

90° Swivel female with green joint and valve

Femelle tournante 90° avec joint vert et vanne pour 134

Femmina a 90° con o'ring verde e valvola 134



DN	ROSCA THREAD	Referencia Part n°	€
5/16"	5/8" 18h UNF	FO90V 0606	
13/32"	3/4" 16h UNF	FO90V 0808	
1/2"	7/8" 14h UNF	FO90V 1010	
5/8"	7/8" 14h UNF	FO90V 1012	
5/8"	1"1/16 12h UNF	FO90V 1212	

Hembra giratoria 45° con válvula

45° Swivel female with green joint and valve

Femelle tournante 45° avec joint vert et vanne pour 134

Femmina a 45° con o'ring verde e valvola 134



DN	ROSCA THREAD	Referencia Part n°	€
5/16"	5/8" 18h UNF	FO45V 0606	
13/32"	3/4" 16h UNF	FO45V 0808	
1/2"	7/8" 14h UNF	FO45V 1010	
5/8"	7/8" 14h UNF	FO45V 1012	
5/8"	1"1/16 12h UNF	FO45V 1212	

Macho recto con junta tórica

Straight male with green joint

Mâle tournant avec joint vert

Maschio diritto con o'ring



DN	ROSCA THREAD	Referencia Part n°	€
5/16"	5/8" 18h UNF	MOR 0606	
13/32"	3/4" 18h UNF	MOR 0808	
1/2"	7/8" 18h UNF	MOR 1010	
5/8"	7/8" 18h UNF	MOR 1012	
5/8"	1"1/16 16h UNF	MOR 1212	

Macho 45° con junta tórica

45° Male with green joint

Mâle tournant 45° avec joint vert

Maschio a 45° con o'ring



DN	ROSCA THREAD	Referencia Part n°	€
5/16"	5/8" 18h UNF	MO45 0606	
13/32"	3/4" 18h UNF	MO45 0808	
1/2"	7/8" 18h UNF	MO45 1010	
5/8"	7/8" 18h UNF	MO45 1012	
5/8"	1"1/16 16h UNF	MO45 1212	

Racores aire acondicionado

Air conditioning fittings

Raccords climatization

Raccordi aria condizionata

Macho 90° con junta tórica

90° Male with green joint

Mâle tournant 90° avec joint vert

Maschio a 90° con o'ring



DN	ROSCA THREAD	Referencia Part n°	€
5/16"	5/8" 18h UNF	MO90 0606	
13/32"	3/4" 18h UNF	MO90 0808	
1/2"	7/8" 18h UNF	MO90 1010	
5/8"	7/8" 18h UNF	MO90 1012	
5/8"	1"1/16 16h UNF	MO90 1212	

Hembra giratoria recta SAE

Straight swivel female SAE

Femelle tournante SAE droite

Femmina diritta SAE



DN	ROSCA THREAD	Referencia Part n°	€
5/16"	5/8" 18h UNF	FSR 0606	
13/32"	3/4" 16h UNF	FSR 0808	
1/2"	7/8" 14h UNF	FSR 1010	

Codo 90° hembra giratoria SAE

90° Swivel female SAE

Femelle tournante 90° SAE

Femmina a 90° SAE



DN	ROSCA THREAD	Referencia Part n°	€
5/16"	5/8" 18h UNF	FS90 0606	
13/32"	3/4" 16h UNF	FS90 0808	
1/2"	7/8" 14h UNF	FS90 1010	

Codo 45° hembra giratoria SAE

45° Swivel female SAE

Femelle tournante 45° SAE

Femmina a 45° SAE



DN	ROSCA THREAD	Referencia Part n°	€
5/16"	5/8" 18h UNF	FS45 0606	
13/32"	3/4" 16h UNF	FS45 0808	
1/2"	7/8" 14h UNF	FS45 1010	

Hembra recta con junta Rotalock y válvula

Straight female with Rotalock joint and valve

Femelle droite Rotalock avec joint et vanne pour R12

Femmina diritta con guarnizione Rotalock e valvola



DN	ROSCA THREAD	Referencia Part n°	€
13/32"	1" 14h UNS	FXRV 1108	
1/2"	1" 14h UNS	FXRV 1110	

Hembra especial 90° con junta Rotalock y válvula

90° Special female with Rotalock joint and valve

Femelle spéciale 90° Rotalock avec joint et vanne pour R12

Femmina a 90° speciale con guarnizione Rotalock e valvola



DN	ROSCA THREAD	Referencia Part n°	€
13/32"	1" 14h UNS	FXAV90 1108	
1/2"	1" 14h UNS	FXAV90 1110	

Racor de unión con válvula

Union fitting with valve

Raccord union avec vanne pour R14 splicer vanne pour R12

Raccordi de unione con valvola



DN	Referencia Part n°	€
5/16"	URTV 0006	
13/32"	URTV 0008	
1/2"	URTV 0010	

Hembra 90° con junta Rotalock y válvula

90° Female with Rotalock joint and valve

Femelle 90° Rotalock avec joint et vanne pour R12

Femmina a 90° con guarnizione Rotalock e valvola



DN	ROSCA THREAD	Referencia Part n°	€
13/32"	1" 14h UNS	FX90V 1108	
1/2"	1" 14h UNS	FX90V 1110	

Junta tórica para racores Freón 134

Joints for air conditioning 134 fittings

Joint torique spécial pour Freon 134

O'ring per raccordi per Freon 134



DN	Referencia Part n°	€
5/16"	7.65X1.78 FREON	
13/32"	10.82X1.78 FREON	
1/2"	14X1.78 FREON	
5/8"	18.77X1.78 FREON	

Straight female with Rotalock joint and valve

Femelle droite Rotalock avec joint et vanne pour R12

Femmina diritta con guarnizione Rotalock e valvola



DN	ROSCA THREAD	Referencia Part n°	€
13/32"	1" 14h UNS	FXRV 1108	
1/2"	1" 14h UNS	FXRV 1110	