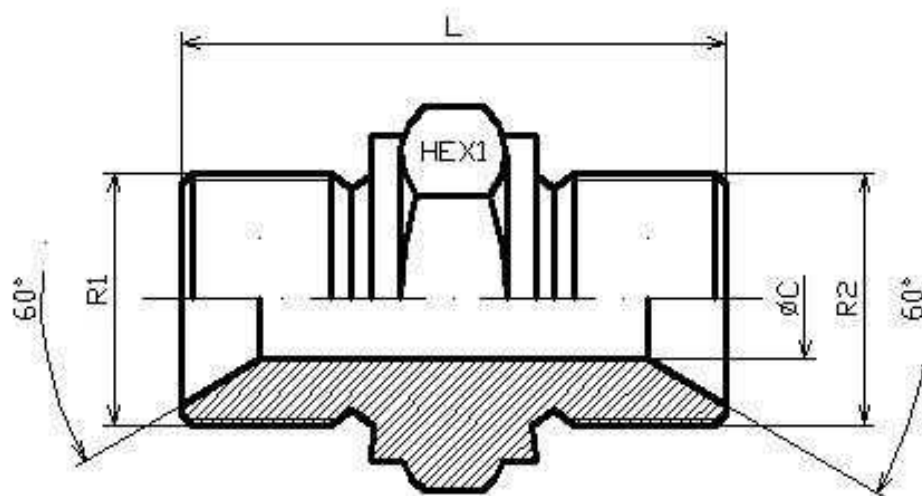


Adaptadores BSP

Uniones rectas macho

Adaptador macho-macho BSP (60°)**FLUIDAL**

1/1



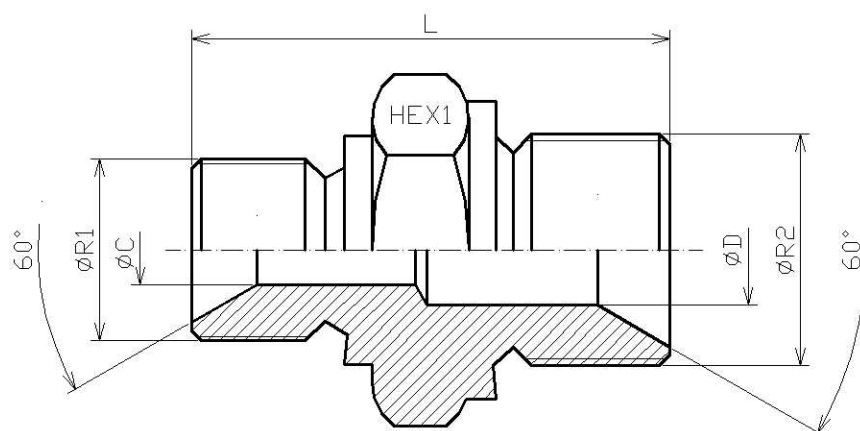
Artículo	R1	R2	L	HEX 1	ØC
A101002	1/8" BSP	1/8" BSP	25	14	5
A101004	1/4" BSP	1/4" BSP	32	17	4,7
A101004H19	1/4" BSP	1/4" BSP	30	19	6
A101006	3/8" BSP	3/8" BSP	35	22	7,9
A101008	1/2" BSP	1/2" BSP	41	27	11,1
A101010	5/8" BSP	5/8" BSP	44	30	14
A101012	3/4" BSP	3/4" BSP	45	32	16,7
A101016	1" BSP	1" BSP	54	41	22,2
A101020	1"1/4 BSP	1"1/4 BSP	56	50	28,6
A101024	1"1/2 BSP	1"1/2 BSP	61	55	33,3
A101032	2" BSP	2" BSP	71	70	46

Adaptadores BSP

Uniones rectas macho

Reductor macho-macho BSP (60º)

1/1



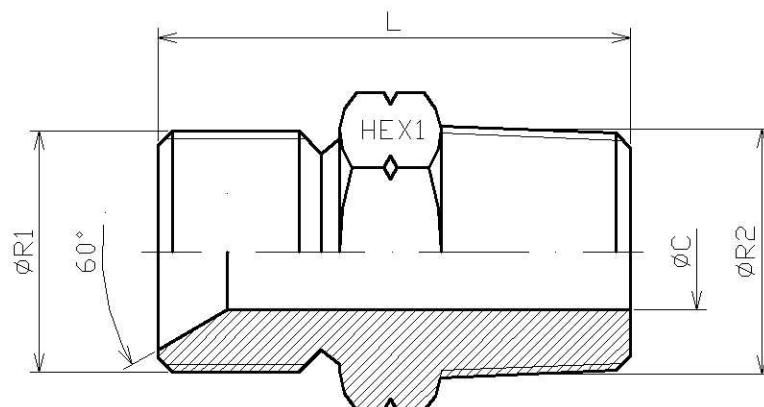
Artículo	R1	R2	L	HEX 1	ØC	ØD
A10200204	1/8" BSP	1/4" BSP	27	19	3,5	4,7
A10200206	1/8" BSP	3/8" BSP	30	22	3,5	7,9
A10200406	1/4" BSP	3/8" BSP	34	22	4,7	7,9
A10200408	1/4" BSP	1/2" BSP	37,5	27	4,7	11,1
A10200608	3/8" BSP	1/2" BSP	38,5	27	7,9	11,1
A10200612	3/8" BSP	3/4" BSP	40,5	32	7,9	16,7
A10200812	1/2" BSP	3/4" BSP	43	32	11,1	16,7
A10200816	1/2" BSP	1" BSP	49,5	41	11,1	22,2
A10201008	5/8" BSP	1/2" BSP	43	30	11,1	14,3
A10201012	5/8" BSP	3/4" BSP	45	32	14,3	16,7
A10201216	3/4" BSP	1" BSP	50,5	41	16,7	22,2
A10201220	3/4" BSP	1"1/4" BSP	51,5	50	16,7	28,6
A10201620	1" BSP	1"1/4" BSP	55	50	22,2	28,6
A10201624	1" BSP	1"1/2" BSP	59	55	22,2	33,3
A10202024	1"1/4" BSP	1"1/2" BSP	59,5	55	28,7	33,3
A10202032	1"1/4" BSP	2" BSP	64,5	65	28,6	46
A10202432	1"1/2" BSP	2" BSP	67,5	70	33,3	46

Adaptadores BSP

Uniones rectas macho

Adaptador macho BSP (60°) - macho NPT**FLUIDAL**

1/1



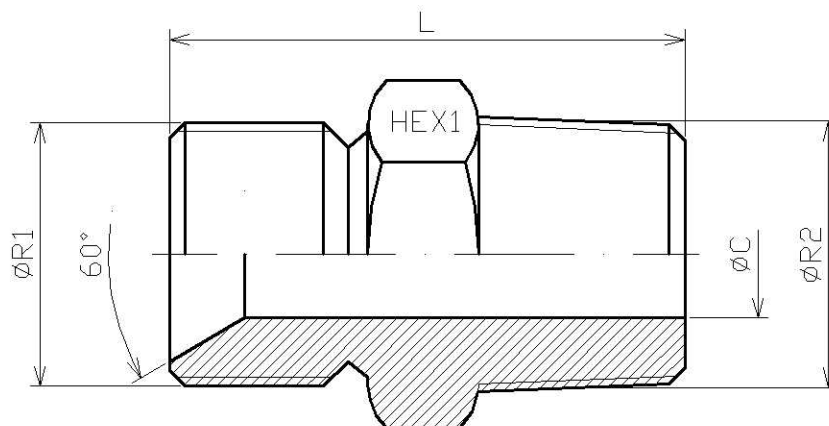
Artículo	R1	R2	L	HEX 1	ØC
S101402	1/8" BSP	1/8" NPT	24,5	14	3,5
S101404	1/4" BSP	1/4" NPT	32,5	17	4,7
S101406	3/8" BSP	3/8" NPT	34	22	7,9
S101408	1/2" BSP	1/2" NPT	40	27	11,1
S101412	3/4" BSP	3/4" NPT	43,5	32	16,7
S101416	1" BSP	1" NPT	57	41	22,2
S101420	1"1/4 BSP	1"1/4 NPT	59	50	28,6
S101424	1"1/2 BSP	1"1/2 NPT	62	55	33,3
S101432	2" BSP	2" NPT	72	70	46

Adaptadores BSP

Uniones rectas macho

Adaptador macho BSP (60°) - macho BSPT**FLUIDAL**

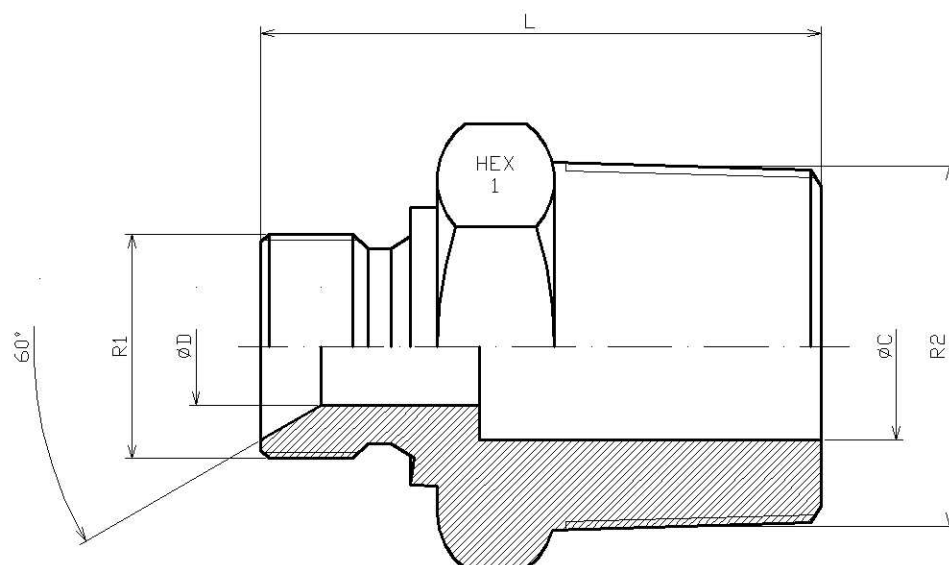
1/1



Artículo	R1	R2	L	HEX 1	ØC
S101202	1/8" BSP	1/8" BSPT	24,5	11	3,5
S101204	1/4" BSP	1/4" BSPT	32	19	6
S101206	3/8" BSP	3/8" BSPT	32,5	17	8
S101208	1/2" BSP	1/2" BSPT	44	22	11,1
S101212	3/4" BSP	3/4" BSPT	43,5	32	16,7
S101216	1" BSP	1" BSPT	52,5	36	22,2
S101220	1"1/4 BSP	1"1/4 BSPT	59	50	28,6
S101224	1"1/2 BSP	1"1/2 BSPT	62	50	33,3
S101232	2" BSP	2" BSPT	72	65	46

Adaptadores BSP

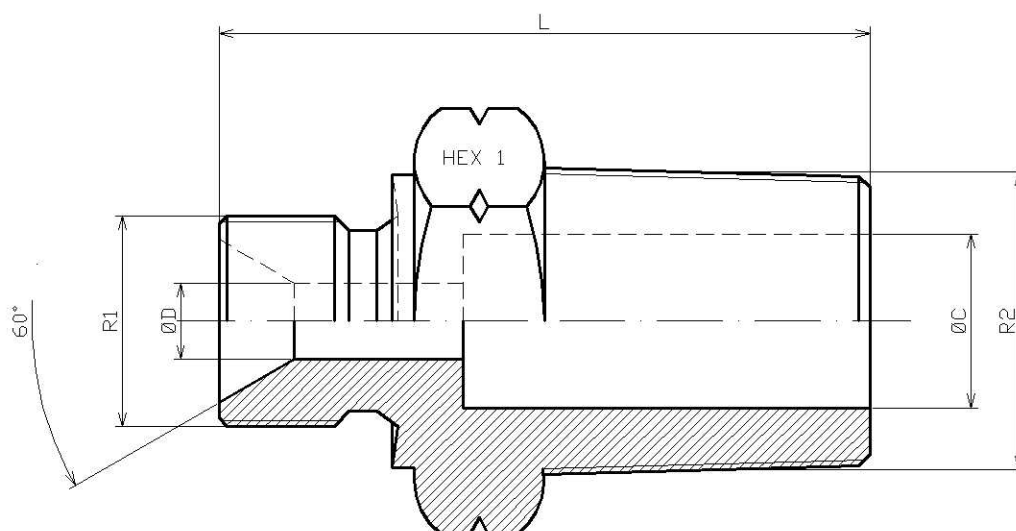
Uniones rectas macho

Reductor macho BSP (60°) - macho BSPT**FLUIDAL****1/1**

Artículo	R1	R2	L	HEX 1	ØC	ØD
A10220406	1/4" BSP	3/8" BSPT	33	19		4,7
A10220608	3/8" BSP	1/2" BSPT	36,5	24		7,9
A10220612	3/8" BSP	3/4" BSPT	42	27	18	7,9
A10220804	1/2" BSP	1/4" BSPT	38	27	11,1	8
A10220812	1/2" BSP	3/4" BSPT	44,5	27		11,1
A10221216	3/4" BSP	1" BSPT	54,5	36		16,7
A10222016	1"1/4 BSP	1" BSPT	58	50	28,6	22
A10222420	1"1/2 BSP	1"1/4 BSPT				
A10222432	1"1/2 BSP	2" BSPT	69	65		33,3

Adaptadores BSP

Uniones rectas macho

Reductor macho BSP (60°) - macho NPT**FLUIDAL****1/1**

Artículo	R1	R2	L	HEX 1	ØC	ØD
A10240402	1/4" BSP	1/8" NPT	30	17		4,7
A10240406	1/4" BSP	3/8" NPT	34	19		5
A10240408	1/4" BSP	1/2" NPT	38	22	14	4,7
A10240608	3/8" BSP	1/2" NPT	40	22		7,9
A10240806	1/2" BSP	3/8" NPT	39,5	27		11,1
A10240812	1/2" BSP	3/4" NPT	45,5	27		11,1
A10241208	3/4" BSP	1/2" NPT	45,5	32	16,7	14
A10241216	3/4" BSP	1" NPT	55,5	36		16,7

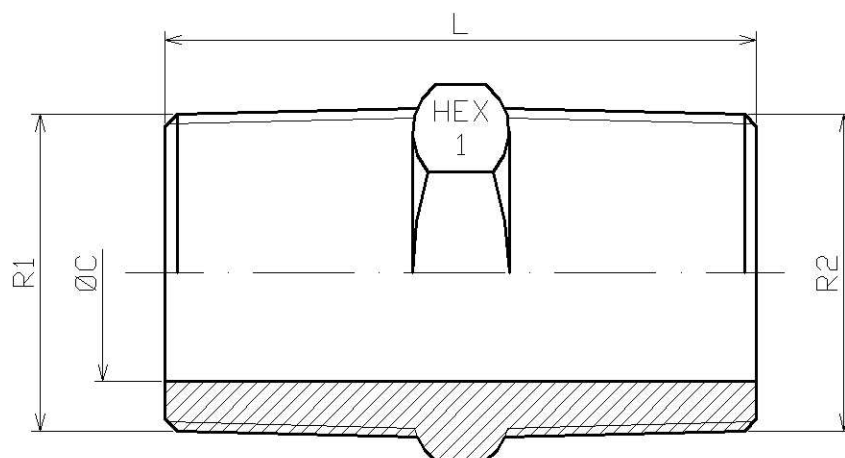
Adaptadores BSP

Uniones rectas macho

Adaptador macho-macho BSPT



1/1



Artículo	R1	R2	L	HEX 1	ØD
A10160404	1/4" BSPT	1/4" BSPT	33	17	8
A10160606	3/8" BSPT	3/8" BSPT	34	19	10
A10160808	1/2" BSPT	1/2" BSPT	40	22	14
A10161212	3/4" BSPT	3/4" BSPT	48	27	18
A10161616	1" BSPT	1" BSPT	58	36	22

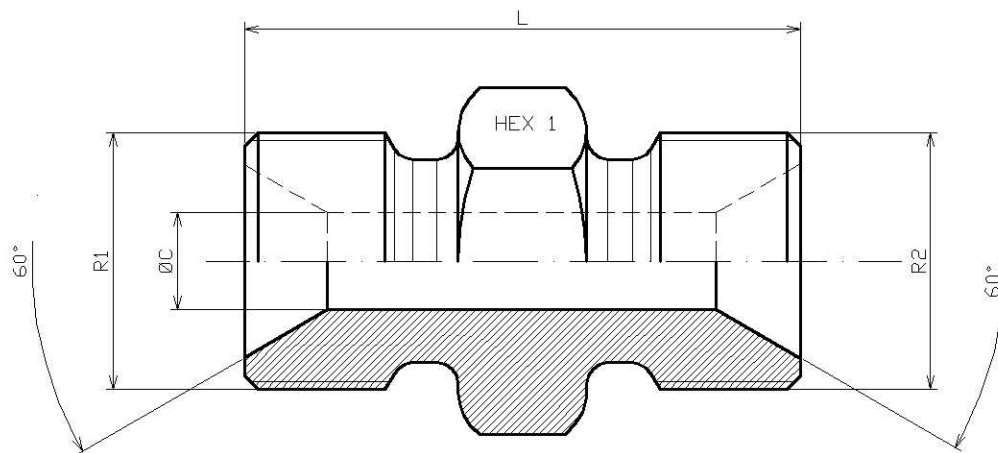
Adaptadores BSP

Uniones rectas macho

Adaptador macho-macho Métrico (60°)



1/1



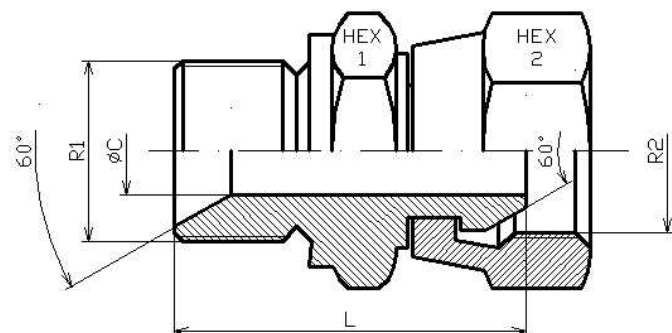
Artículo	R1	R2	L	HEX 1	ØC
S101612	M12x1.5	M12x1.5	26	14	4,5
S101614	M14x1.5	M14x1.5	26	17	7
S101616	M16x1.5	M16x1.5	32	17	8
S101618	M18x1.5	M18x1.5	33	19	10
S101622	M22x1.5	M22x1.5	36	24	12
S101626	M26x1.5	M26x1.5	36	30	16

Adaptadores BSP

Uniones rectas macho-hembra

Adap. macho - hembra giratoria BSP (60°)**FLUIDAL**

1/1



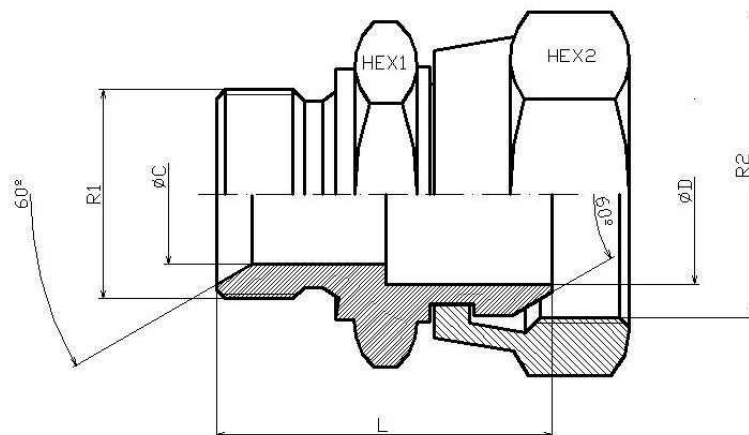
Artículo	R1	R2	HEX 1	HEX 2	ØC	L
A117002	1/8" BSP	1/8" BSP	14	14	4	30
A117004	1/4" BSP	1/4" BSP	19	19	4,7	30
A117006	3/8" BSP	3/8" BSP	22	22	7,9	33
A117008	1/2" BSP	1/2" BSP	27	27	11,1	37
A117012	3/4" BSP	3/4" BSP	32	32	16,7	42,5
A117016	1" BSP	1" BSP	41	41	22,2	52
A117020	1"1/4 BSP	1"1/4 BSP	50	50	28,6	54,5
A117024	1"1/2 BSP	1"1/2 BSP	55	55	32	61
A117032	2" BSP	2" BSP	65	70	46	69

Adaptadores BSP

Uniones rectas macho-hembra

Reductor macho - hembra giratoria BSP (60°)**FLUIDAL**

1/1



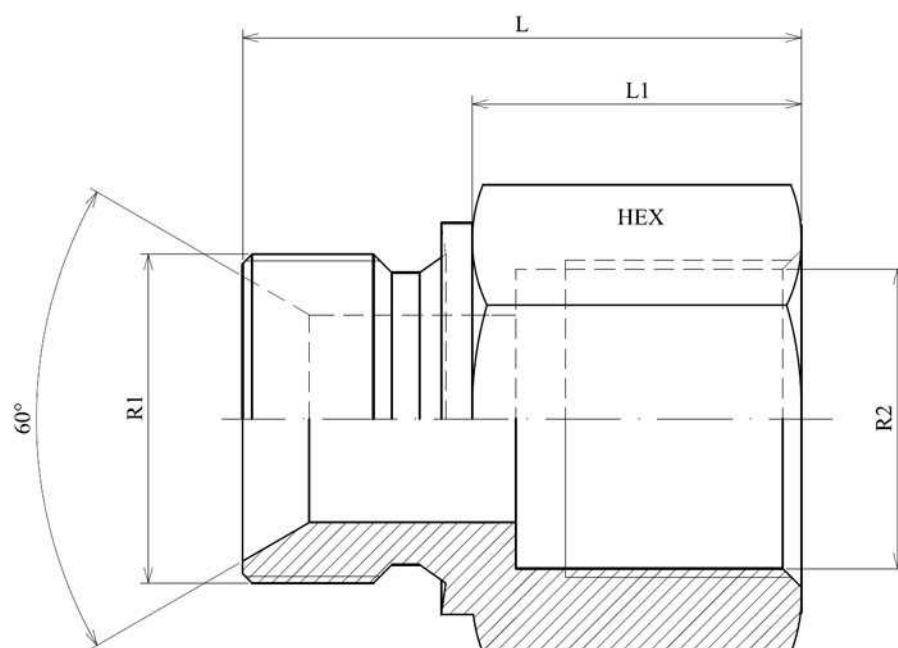
Artículo	R1	R2	HEX 1	HEX 2	ØC	ØD	L
A11730204	M 1/8" BSP	H 1/4" BSP	14	19	3,5		25
A11730402	M 1/4" BSP	H 1/8" BSP	17	22	4,7		31
A11730406	M 1/4" BSP	H 3/8" BSP	17	22	4,7		31
A11730604	M 3/8" BSP	H 1/4" BSP	17	22	4,7		31
A11730806	M 1/2" BSP	H 3/8" BSP	17	22	4,7		31
A11731208	M 3/4" BSP	H 1/2" BSP	17	22	4,7		31
A11731612	M 1" BSP	H 3/4" BSP	17	22	4,7		31
A11730608	M 3/8" BSP	H 1/2" BSP	22	27	7,9	11,1	33,5
A11730812	M 1/2" BSP	H 3/4" BSP	27	32	11,1	16,7	40,5
A11731216	M 3/4" BSP	H 1" BSP	32	41	16,7	22,2	46,5
A11731220	M 3/4" BSP	H 1"1/4 BSP	50	50	16,7	18,6	50
A11731620	M 1" BSP	H 1"1/4 BSP	41	50	22,2		53,5
A11732024	M 1"1/4 BSP	H 1"1/2 BSP	50	55	28,6		56
A11732432	M 1" 1/2 BSP	H 2" BSP	60	70	33,3	46	58,5

Adaptadores BSP

Uniones rectas macho-hembra

Prolongador macho (60°) - hembra fija BSP

1/1



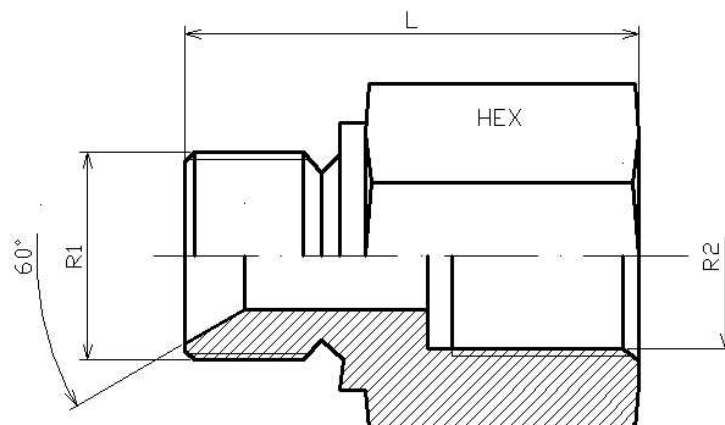
Artículo	R1	R2	L1	HEX 1	L
A105002	1/8" BSP	1/8" BSP	14	14	24
A105002L38	1/8" BSP	1/8" BSP	28	14	38
A105004	1/4" BSP	1/4" BSP	21	19	34
A105004L46	1/4" BSP	1/4" BSP	33	19	46
A105004L56	1/4" BSP	1/4" BSP	43	19	56
A105006	3/8" BSP	3/8" BSP	17	22	31
A105006L44	3/8" BSP	3/8" BSP	30	22	44
A105006L54	3/8" BSP	3/8" BSP	40	22	54
A105008	1/2" BSP	1/2" BSP	23	27	40,5
A105008L50	1/2" BSP	1/2" BSP	32.5	27	50
A105008L60	1/2" BSP	1/2" BSP	42.5	27	60
A105012	3/4" BSP	3/4" BSP	26.5	32	45
A105012L72	3/4" BSP	3/4" BSP	53.5	32	72
A105016	1" BSP	1" BSP	30	41	50,5
A105016L84	1" BSP	1" BSP	63.5	41	84
A105020	1"1/4 BSP	1"1/4 BSP	30	50	51
A105020L92	1"1/4 BSP	1"1/4 BSP	71	50	92
A105024	1"1/2 BSP	1"1/2 BSP	40	55	65
A105024L100	1"1/2 BSP	1"1/2 BSP	75	55	100
A105032	2" BSP	2" BSP	37	70	65
A105032L100	2" BSP	2" BSP	72	70	100

Adaptadores BSP

Uniones rectas macho-hembra

Reductor macho BSP (60°) - hembra fija Métrica**FLUIDAL**

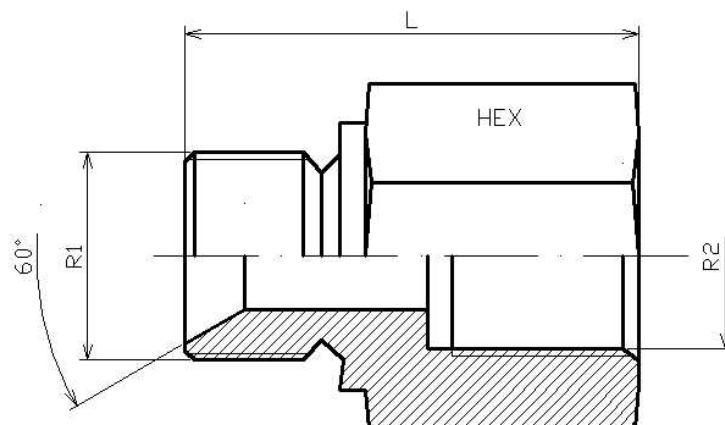
1/1



Artículo	R1	R2	HEX 1	L
S10610614	3/8" BSP	M14x1.5	22	34
S10610618	3/8" BSP	M18x1.5	24	37
S10610818	1/2" BSP	M18x1.5	27	39,5
S10610822	1/2" BSP	M22x1.5	27	39,5

Adaptadores BSP

Uniones rectas macho-hembra

Reductor macho Métrico (60°) - hembra fija BSP**1/1**

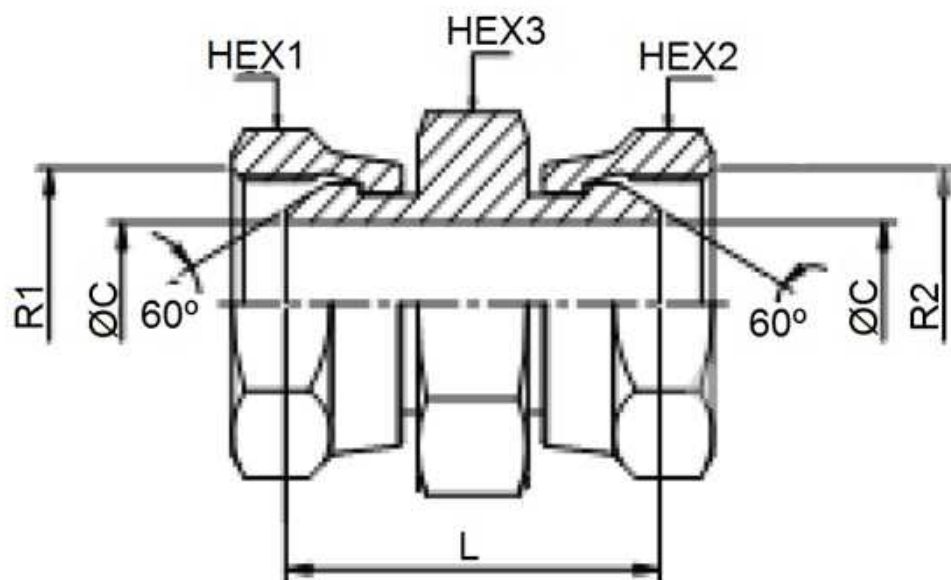
Artículo	R1	R2	HEX 1	L
S10621804	M18x1.5	1/4" BSP	24	34
S10621806	M18x1.5	3/8" BSP	22	37
S10621808	M18x1.5	1/2" BSP	27	40

Adaptadores BSP

Uniones rectas macho-hembra

**Adap. hembra giratoria - hembra giratoria BSP
(60°)****FLUIDAL**

1/1



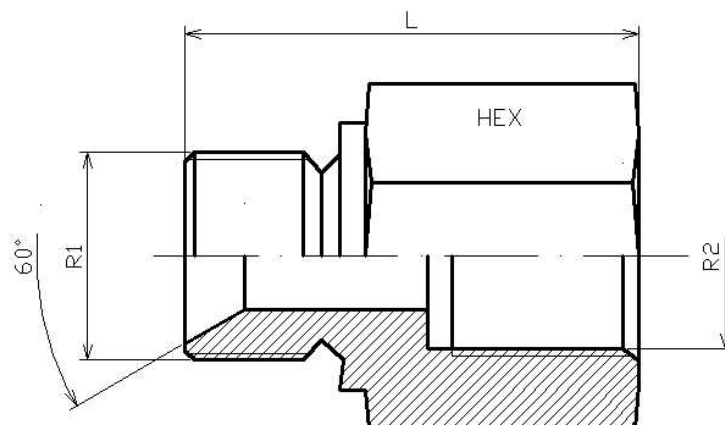
Artículo	R1	R2	HEX 1	HEX 2	HEX 3	ØC	L
A117204	1/4" BSP	1/4" BSP	19	19	14	4,5	29
A117206	3/8" BSP	3/8" BSP	22	22	17	7,1	32,5
A117208	1/2" BSP	1/2" BSP	27	27	22	10	38
A117212	3/4" BSP	3/4" BSP	32	32	27	15,5	43,5
A117216	1" BSP	1" BSP	41	41	36	20,5	50
A117220	1"1/4 BSP	1"1/4 BSP	50	50	41	26	55
A117224	1"1/2 BSP	1"1/2 BSP	55	55	50	31	58
A117232	2" BSP	2" BSP	70	70	60	43,5	61,5

Adaptadores BSP

Uniones rectas macho-hembra

Reductor macho BSP (60°) - hembra fija BSP**FLUIDAL**

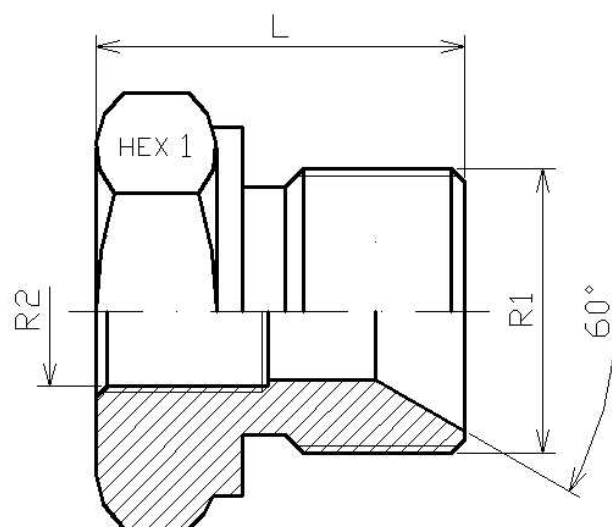
1/1



Artículo	R1	R2	HEX 1	L
A10600204	M 1/8" BSP	H 1/4" BSP	17	25,5
A10600206	M 1/8" BSP	H 3/8" BSP	22	27
A10600402	M 1/4" BSP	H 1/8" BSP	17	26
A10600406	M 1/4" BSP	H 3/8" BSP	22	35
A10600408	M 1/4" BSP	H 1/2" BSP	27	38
A10600602	M 3/8" BSP	H 1/8" BSP	22	29,5
A10600604	M 3/8" BSP	H 1/4" BSP	22	31
A10600608	M 3/8" BSP	H 1/2" BSP	27	39
A10600612	M 3/8" BSP	H 3/4" BSP	32	44
A10600804	M 1/2" BSP	H 1/4" BSP	27	33
A10600806	M 1/2" BSP	H 3/8" BSP	27	37,5
A10600812	M 1/2" BSP	H 3/4" BSP	32	46,5
A10600816	M 1/2" BSP	H 1" BSP	41	49,5
A10601206	M 3/4" BSP	H 3/8" BSP	32	36
A10601208	M 3/4" BSP	H 1/2" BSP	32	41,5
A10601216	M 3/4" BSP	H 1" BSP	41	51,5
A10601220	M 3/4" BSP	H 1"1/4 BSP	50	50,5
A10601608	M 1" BSP	H 1/2" BSP	41	44
A10601612	M 1" BSP	H 3/4" BSP	41	52
A10601620	M 1" BSP	H 1"1/4 BSP	50	53
A10602016	M 1"1/4 BSP	H 1" BSP	50	51
A10602024	M 1"1/4 BSP	H 1" 1/2 BSP	55	55
A10602420	M 1"1/2 BSP	H 1"1/4 BSP	55	60,5
A10602432	M 1"1/2 BSP	H 2" BSP	70	64,5

Adaptadores BSP

Uniones rectas macho-hembra

Tapón reductor macho (60°) - hembra fija BSP**FLUIDAL****1/1**

Artículo	R1	R2	HEX 1	L
A11500402	M 1/4" BSP	H 1/8" BSP	19	20
A11500602	M 3/8" BSP	H 1/8" BSP	22	20
A11500604	M 3/8" BSP	H 1/4" BSP	22	21
A11500804	M 1/2" BSP	H 1/4" BSP	27	24
A11500806	M 1/2" BSP	H 3/8" BSP	27	24,5
A11501206	M 3/4" BSP	H 3/8" BSP	32	26,5
A11501208	M 3/4" BSP	H 1/2" BSP	32	26,5
A11501608	M 1" BSP	H 1/2" BSP	41	30
A11501612	M 1" BSP	H 3/4" BSP	41	30
A11502012	M 1"1/4 BSP	H 3/4" BSP	50	33
A11502016	M 1"1/4 BSP	H 1" BSP	50	33
A11502420	M 1"1/2 BSP	H 1"1/4 BSP	55	38
A11503220	M 2" BSP	H 1" 1/4 BSP	70	44
A11503224	M 2" BSP	H 1"1/2 BSP	70	44

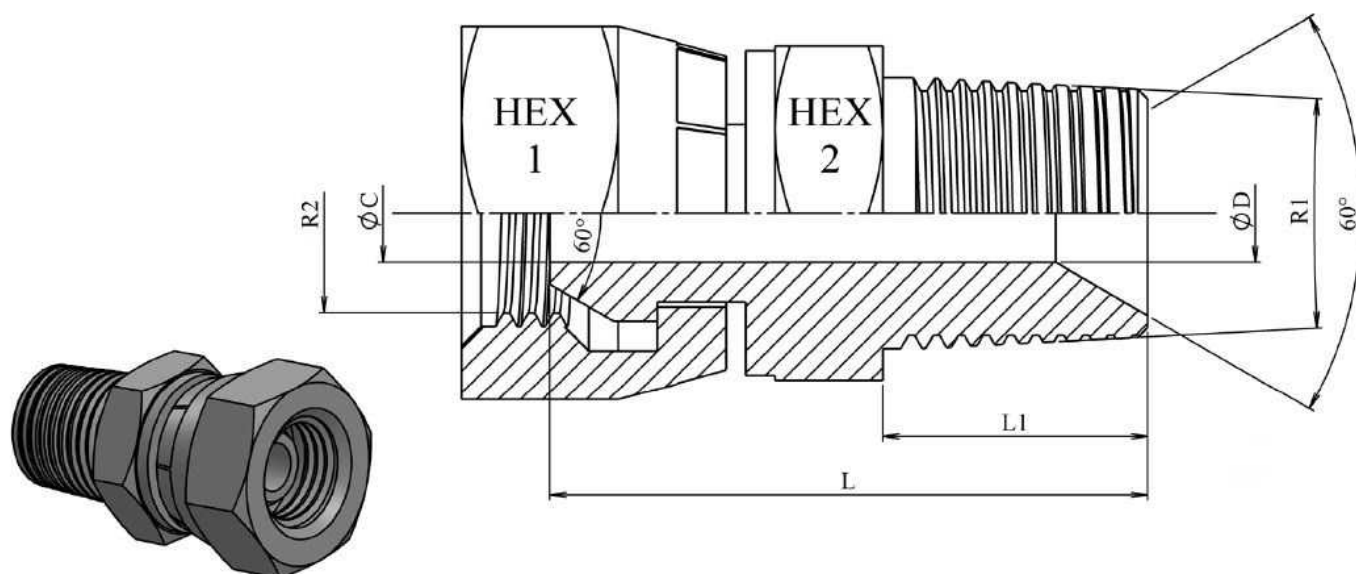
Adaptadores BSP

Uniones rectas macho-hembra

Adaptador H.G. BSP (60º) - Macho BSPT (60º)



1/1



Artículo	R1	R2	L	L1	HEX 1	HEX 2	ØC	ØD
A11710404	M 1/4" BSPT	H 1/4" BSP	32	14	19	17	4.7	6
A11710606	M 3/8" BSPT	H 3/8" BSP	34	15	22	19	7.9	9
A11710808	M 1/2" BSPT	H 1/2" BSP	42	19	27	22	11.1	11.1
A11711212	M 3/4" BSPT	H 3/4" BSP	46.5	20	32	30	16.7	16.7
A11711616	M 1" BSPT	H 1" BSP	55	24	41	36	22.2	22.2

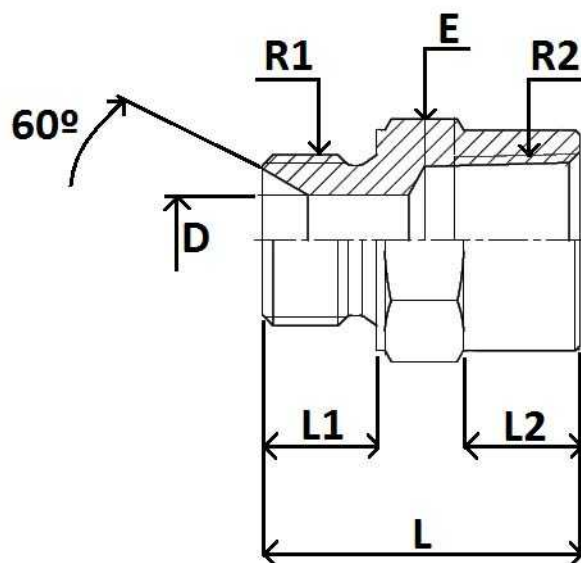
Adaptadores BSP

Uniones rectas macho-hembra

Adaptador Macho BSP (60º) - Hembra Fija NPT



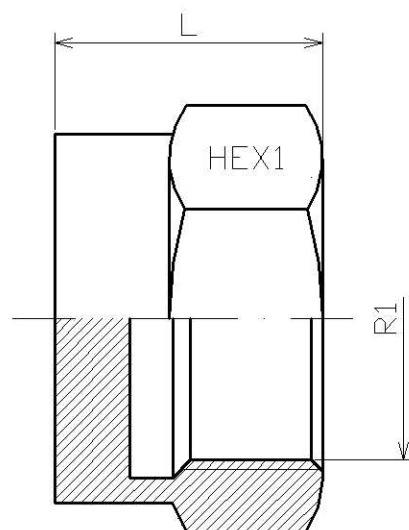
1/1



Artículo	R1	R2	L	L1	L2	D	E
A107404	M 1/4" BSP	H 1/4" NPT	31	11	11	4,7	19
A107406	M 3/8" BSP	H 3/8" NPT	32,5	12	11	7,9	22
A107408	M 1/2" BSP	H 1/2" NPT	39	14	14,2	11,1	29
A107412	M 3/4" BSP	H 3/4" NPT	42,5	16	14,2	16,7	36
A107416	M 1" BSP	H 1" NPT	50	19	17,5	22,2	41

Adaptadores BSP

Tapones

Tapón hembra hexagonal rosca BSP**1/1**

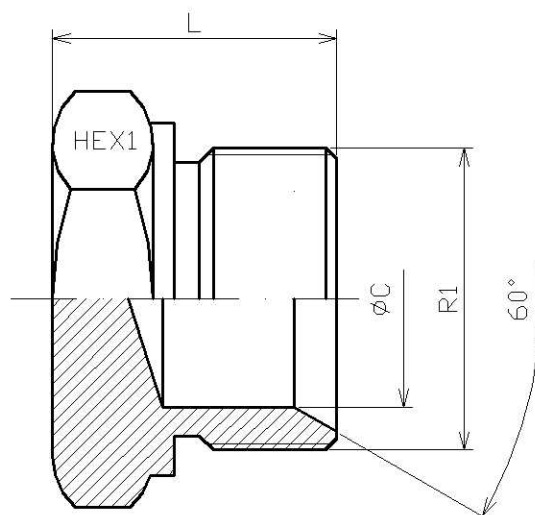
Artículo	R1	L	HEX 1
A107202	1/8" BSP	15	14
A107204	1/4" BSP	17	19
A107206	3/8" BSP	19	22
A107208	1/2" BSP	24	27
A107212	3/4" BSP	26	32
A107216	1" BSP	28	41
A107220	1"1/4 BSP	31	50
A107224	1"1/2 BSP	35	55
A107232	2" BSP	38	65

Adaptadores BSP

Tapones

Tapón macho hexagonal rosca BSP (60°)**FLUIDAL**

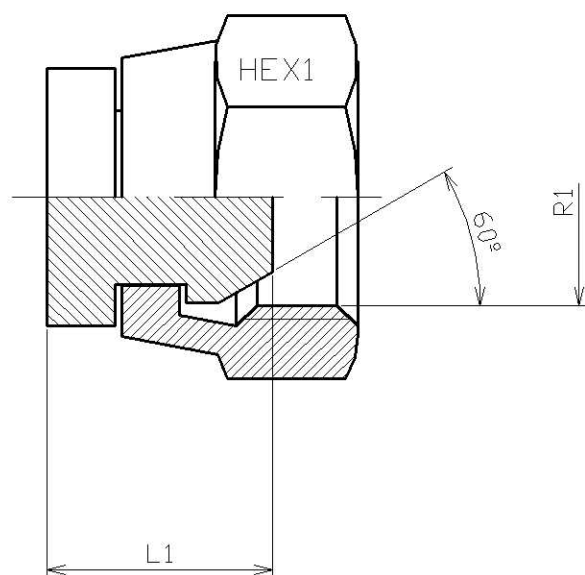
1/1



Artículo	R1	L	HEX 1	ØC
A107002	1/8" BSP	16	14	4
A107004	1/4" BSP	19	19	4,7
A107006	3/8" BSP	21	22	7,9
A107008	1/2" BSP	24,5	27	11,1
A107010				
A107012	3/4" BSP	26,5	32	16,7
A107016	1" BSP	32	41	22,2
A107020	1"1/4 BSP	33	50	28,6
A107024	1"1/2 BSP	36,5	55	33,3
A107032	2" BSP	36	65	44

Adaptadores BSP

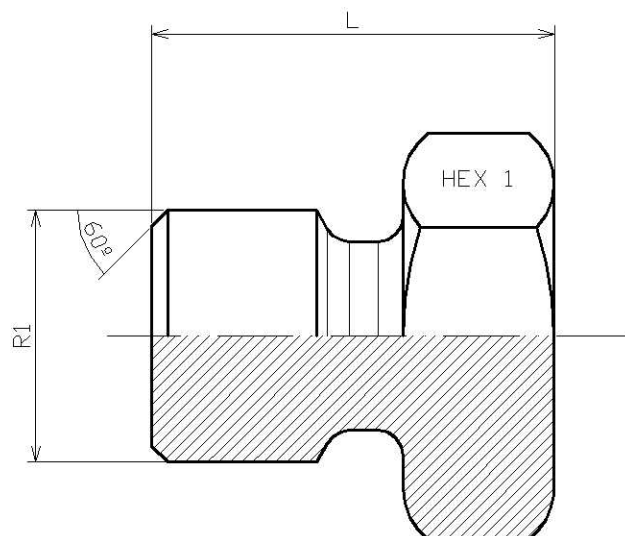
Tapones

Tapón hembra giratoria BSP (60º)**1/1**

Artículo	R1	L1	HEX 1
A107504	1/4" BSP	14	19
A107506	3/8" BSP	15	22
A107508	1/2" BSP	16	27
A107512	3/4" BSP	20	32
A107516	1" BSP	23,5	41
A107520	1"1/4 BSP	25,5	50
A107524	1"1/2 BSP	26,5	55
A107532	2" BSP	25	70

Adaptadores BSP

Tapones

Tapón macho hexagonal rosca Métrica**FLUIDAL****1/1**

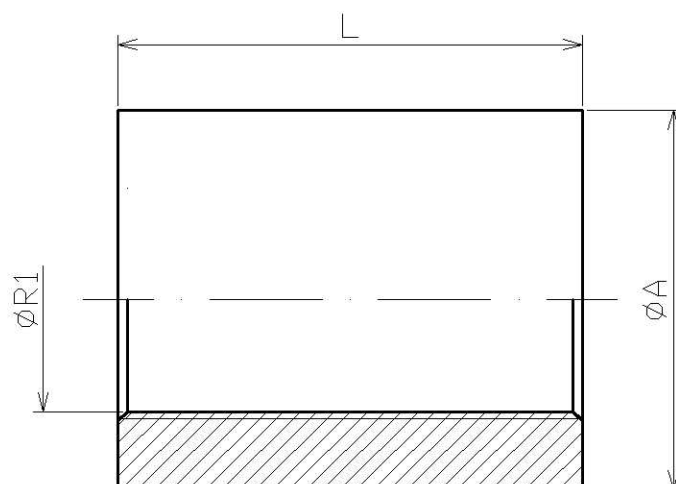
Artículo	R1	L	HEX 1
A10731001	M10x1	12	14
A10731215	M12x1.5	16	17
A10731415	M14x1.5	18	19
A10731615	M16x1.5	20	22
A10731815	M18x1.5	21	24
A10732015	M20x1.5	22	27
A10732215	M22x1.5	24	27

Adaptadores BSP

Uniones hembra y pasatabiques

Manguito roscado hembra BSP redondo

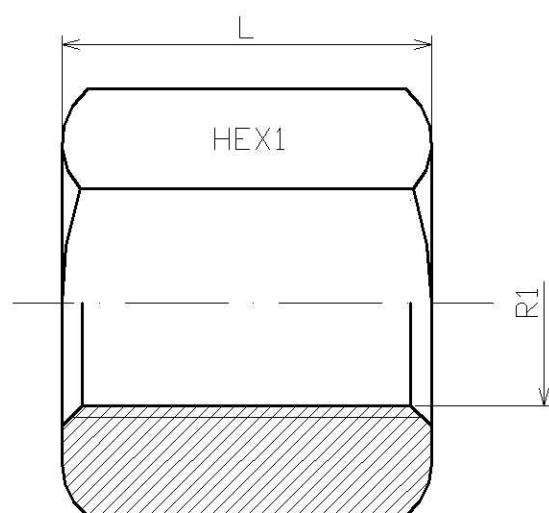
1/1



Artículo	R1	L	ØA
A131002	1/8" BSP	21	14
A131004	1/4" BSP	23	20
A131006	3/8" BSP	31	24
A131008	1/2" BSP	35	30
A131012	3/4" BSP	45	34
A131016	1" BSP	50	42
A131020	1"1/4 BSP	55	50
A131024	1"1/2 BSP	55	56
A131032	2" BSP	65	70

Adaptadores BSP

Uniones hembra y pasatabiques

Manguito roscado hembra BSP hexagonal**1/1**

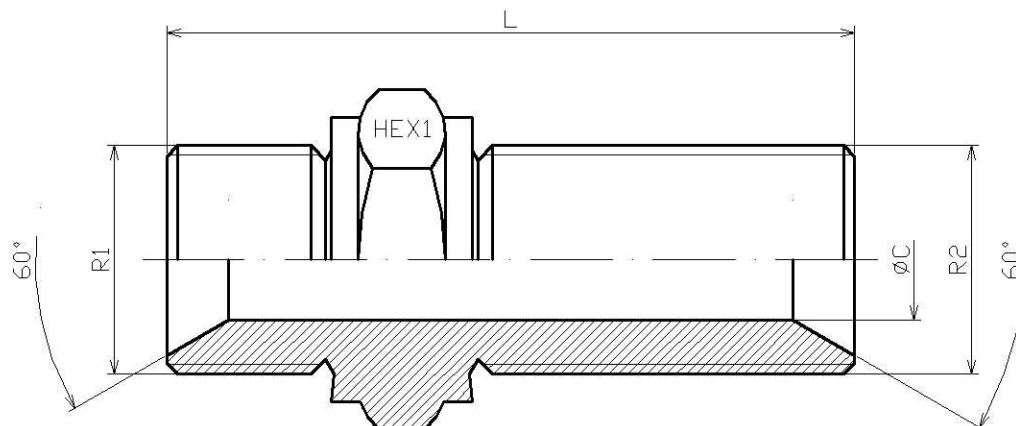
Artículo	R1	L	HEX 1
S1031004	1/4" BSP	25	19
S1031006	3/8" BSP	28	22
S1031008	1/2" BSP	34	27
S1031012	3/4" BSP	40	32
S1031016	1" BSP	45	41
S1031020	1"1/4 BSP	55	50
S1031024	1"1/2 BSP	56	60

Adaptadores BSP

Uniones hembra y pasatabiques

Pasatabiques sin tuerca BSP cono 60°**FLUIDAL**

1/1



Artículo	R1	R2	L	HEX 1	ØC
A116004	1/4" BSP	1/4" BSP	47	17	4,7
A116006	3/8" BSP	3/8" BSP	53	22	7,9
A116008	1/2" BSP	1/2" BSP	59,5	27	11,1
A116012	3/4" BSP	3/4" BSP	64,5	32	16,7
A116016	1" BSP	1" BSP	73	41	22,2
A116020	1"1/4 BSP	1"1/4 BSP	80	50	28,6
A116024	1"1/2 BSP	1"1/2 BSP	89	55	33,3

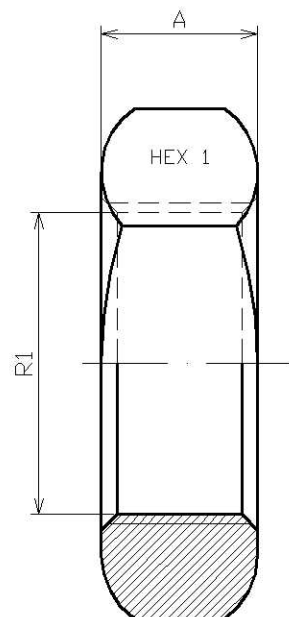
Adaptadores BSP

Uniones hembra y pasatabiques

Tuerca pasatabiques BSP



1/1



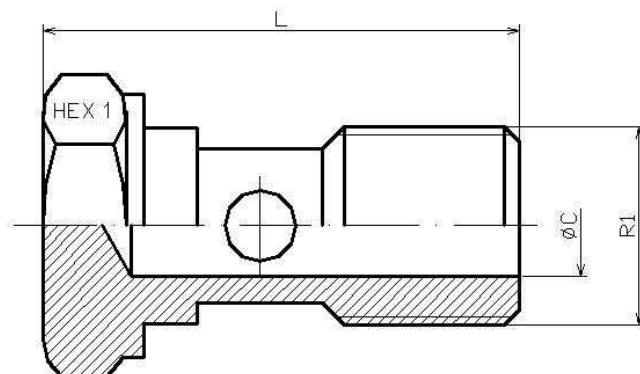
Artículo	R1	HEX 1	A
A127204	1/4" BSP	17	6
A127206	3/8" BSP	22	7
A127208	1/2" BSP	27	8
A127212	3/4" BSP	32	9
A127216	1" BSP	41	10
A127220	1" 1/4 BSP	50	13
A127224	1" 1/2 BSP	55	15

Adaptadores BSP

Orientables

Tornillo orientable simple BSP

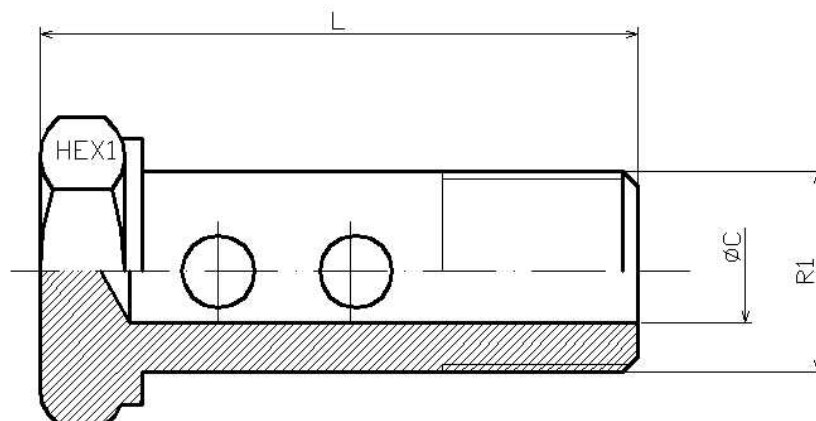
1/1



Artículo	R1	HEX 1	ØC	L
A109002	1/8" BSP	14	6	28,75
A109004	1/4" BSP	19	6	33
A109006	3/8" BSP	22	9	39
A109008	1/2" BSP	27	13	45
A109010	5/8" BSP			
A109012	3/4" BSP	32	16	57
A109016	1" BSP	41	19	71
A109020	1"1/4 BSP	50	20	84
A109024	1"1/2 BSP	55	26	97

Adaptadores BSP

Orientables

Tornillo orientable doble BSP**FLUIDAL****1/1**

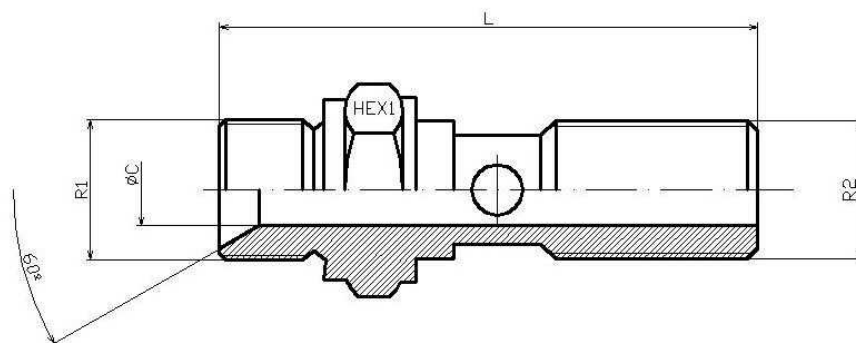
Artículo	R1	HEX 1	ØC	L
A109404	1/4" BSP	19	6	48
A109406	3/8" BSP	22	9	59
A109408	1/2" BSP	27	11,5	72
A109412	3/4" BSP	32	16	89
A109416	1" BSP	41	19	114

Adaptadores BSP

Orientables

Tornillo orientable prolongado BSP

1/1



Artículo	R1	R2	HEX 1	ØC	L
A109204	1/4" BSP	1/4" BSP	19	4,7	46
A109206	3/8" BSP	3/8" BSP	22	7,9	53
A109208	1/2" BSP	1/2" BSP	27	11,1	61,5
A109212	3/4" BSP	3/4" BSP	32	16,7	75,5
A109216	1" BSP	1" BSP	41	22,2	93

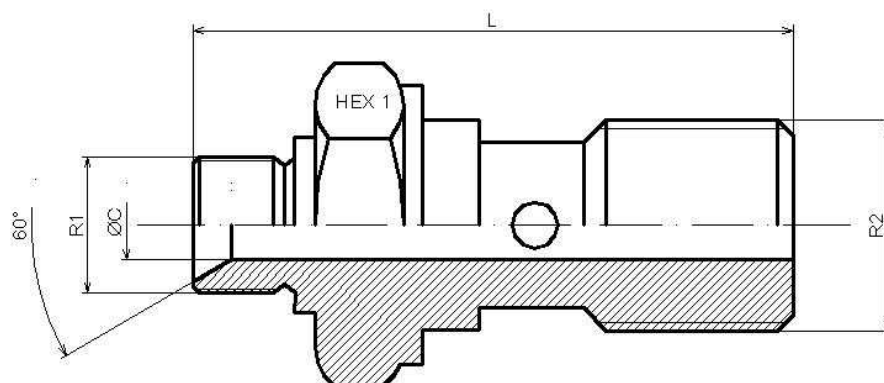
Adaptadores BSP

Orientables

Tornillo orientable reductor BSP



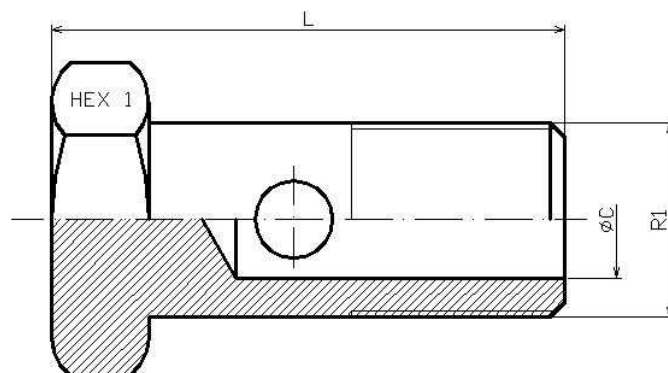
1/1



Artículo	R1	R2	HEX 1	ØC	L
A10930406	1/4" BSP	3/8" BSP	22	4,7	52
A10930608	3/8" BSP	1/2" BSP	27	7,9	59
A10930812	1/2" BSP	3/4" BSP	32	11,1	73,5
A10931216	3/4" BSP	1" BSP	41	16,7	89,5

Adaptadores BSP

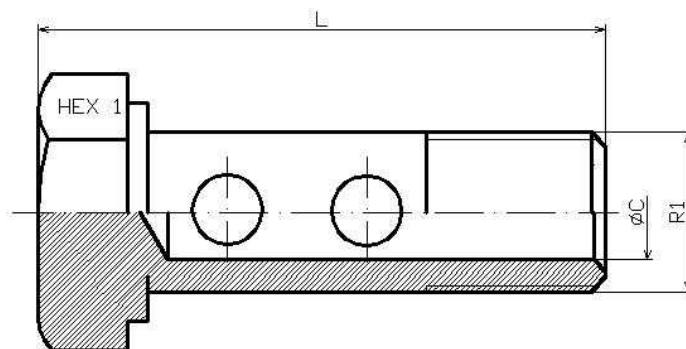
Orientables

Tornillo orientable simple rosca Métrica**FLUIDAL****1/1**

Artículo	R1	HEX 1	ØC	L
S109208	M8x1	12	4	21,5
S109210	M10x1	14	6	26,5
S109212	M12x1.5	19	6	33
S109214	M14x1.5	19	6	33
S109216	M16x1.5	22	9	39
S109218	M18x1.5	22	9	39
S109222	M22x1.5	27	13	45
S109226	M26x1.5	32	16	57
S109230	M30x1.5	41	19	71

Adaptadores BSP

Orientables

Tornillo orientable doble rosca Métrica**FLUIDAL****1/1**

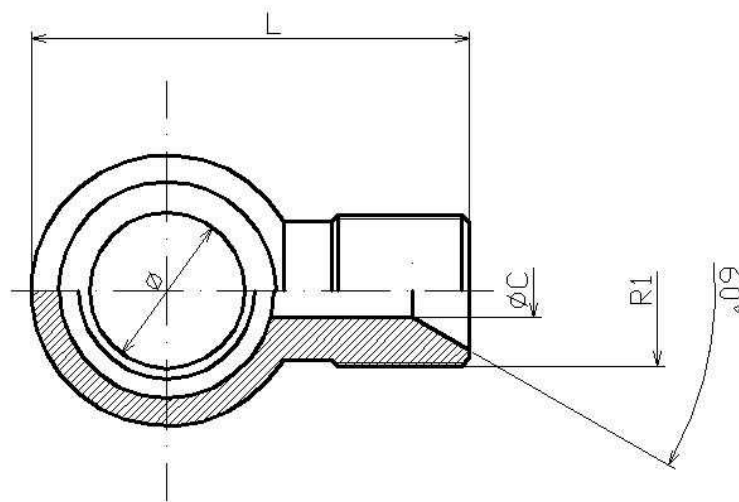
Artículo	R1	HEX 1	ØC	L
A10960801	M8x1	12	4,8	28,5
A10961001	M10x1	14	6	35
A10961215	M12x1.5	19	6	48
A10961415	M14x1.5	19	6	48
A10961815	M18x1.5	22	9	59

Adaptadores BSP

Orientables

Esférico BSP - macho BSP (60º)**FLUIDAL**

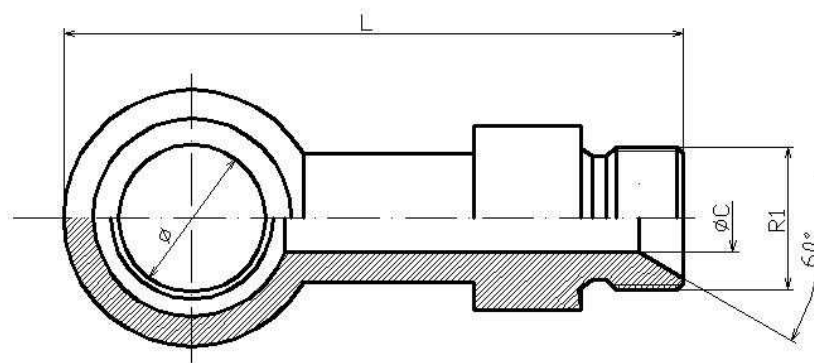
1/1



Artículo	R1	Ø	ØC	L
A114002	1/8" BSP	1/8 "		30
A114004	1/4" BSP	1/4"	4,7	38
A114006	3/8" BSP	3/8"	7,9	47
A114008	1/2" BSP	1/2"	11,1	53
A114012	3/4" BSP	3/4"	16,7	66
A114016	1" BSP	1"	22,2	81,5

Adaptadores BSP

Orientables

Esférico BSP con alargadera-macho BSP (60°)**FLUIDAL****1/1**

Artículo	R1	Ø	ØC	L
A111206	3/8" BSP	3/8"	7,9	72,5
A11120608	1/2" BSP	3/8"	7,9	76
A111208	1/2" BSP	1/2"	11,1	81

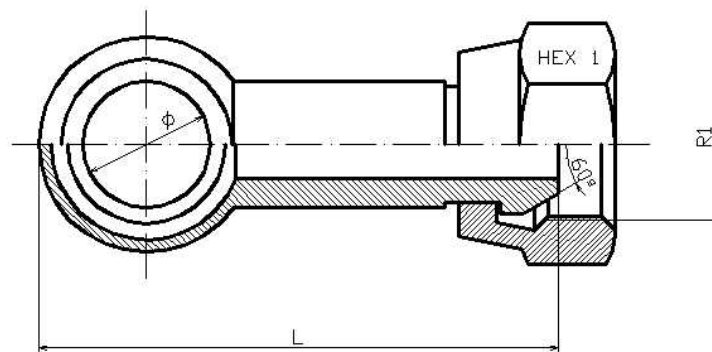
Adaptadores BSP

Orientables

Esférico BSP con alargadera-hembra giratoria BSP



1/1



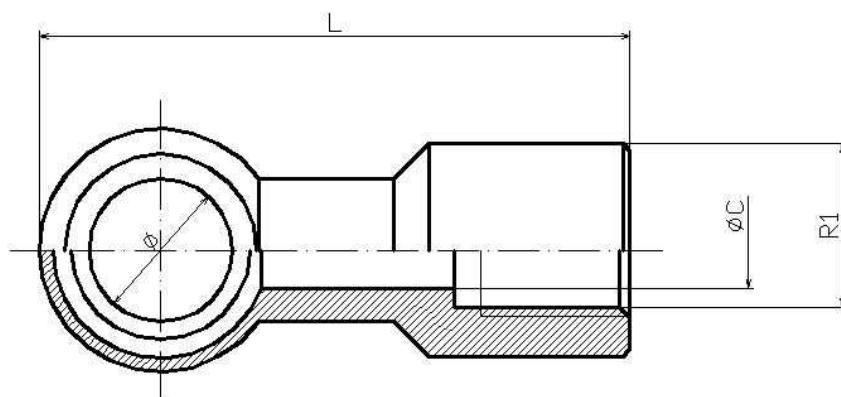
Artículo	R1	Ø	HEX 1	L
A111108	1/2" BSP	1/2"	27	65,5

Adaptadores BSP

Orientables

Esférico BSP con alargadera-hembra fija BSP**FLUIDAL**

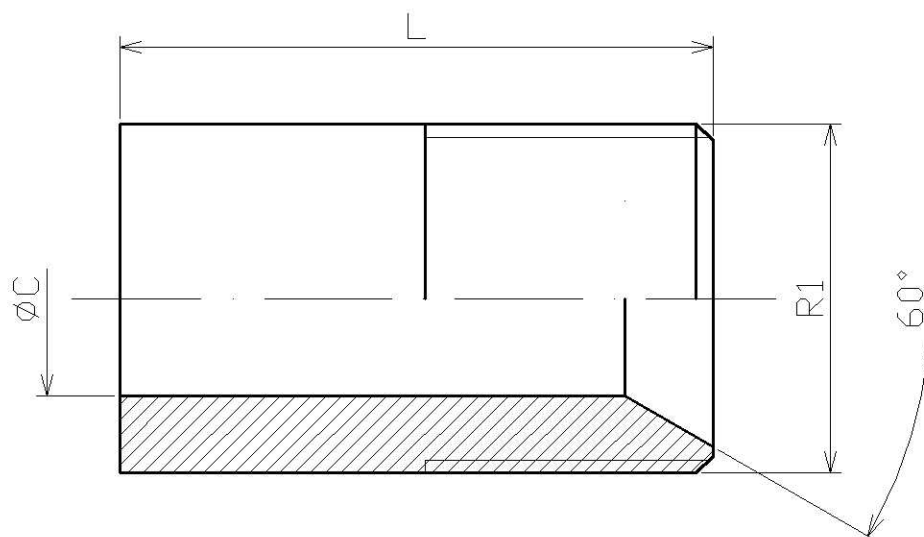
1/1



Artículo	R1	Ø	ØC	L
A111306	3/8" BSP	3/8"	7,9	71,5
A111308	1/2" BSP	1/2"	11,1	80

Adaptadores BSP

Soldables

Empalme liso soldable rosca BSP (60°)**FLUIDAL****1/1**

Artículo	R1	L	ØC
A129002	1/8" BSP	20	3,5
A129004	1/4" BSP	24	4,7
A129006	3/8" BSP	27	7,9
A129008	1/2" BSP	29	11,1
A129012	3/4" BSP	41	16,7
A129016	1" BSP	44,5	22,2
A129020	1"1/4 BSP	52	28,6
A129024	1"1/2 BSP	57	33,3
A129032	2" BSP	60	46

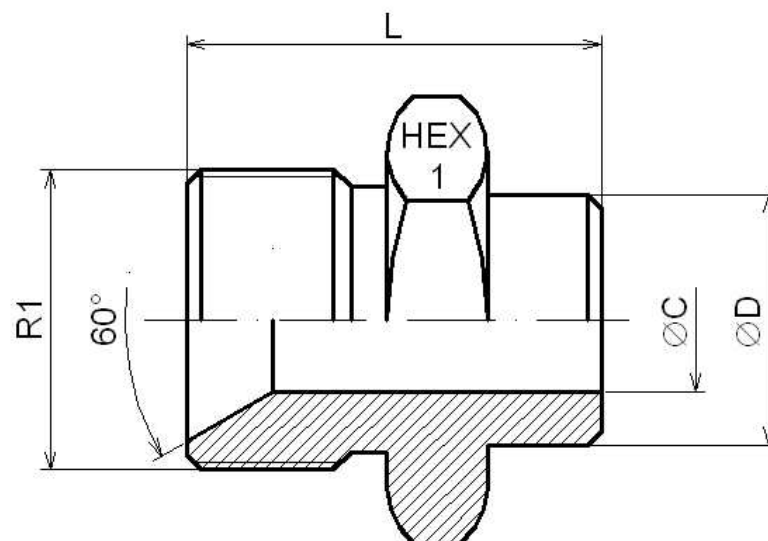
Tratamiento superficial: Pavonado

Adaptadores BSP

Soldables

Racor macho BSP (60°) soldable exterior**FLUIDAL**

1/1



Artículo	R1	L	HEX 1	ØC	ØD
A103002	1/8" BSP	19	14	3,5	8
A103004	1/4" BSP	24	17	4,7	11,5
A103006	3/8" BSP	27	22	7,9	15
A103008	1/2" BSP	31,5	27	11,1	20
A103012	3/4" BSP	36,5	32	16,7	25
A103016	1" BSP	44	41	22,2	31
A103020	1"1/4 BSP	47	50	28,6	39,5
A103024	1"1/2 BSP	51,5	55	33,3	45,2
A103032	2" BSP	57,5	65	46	57

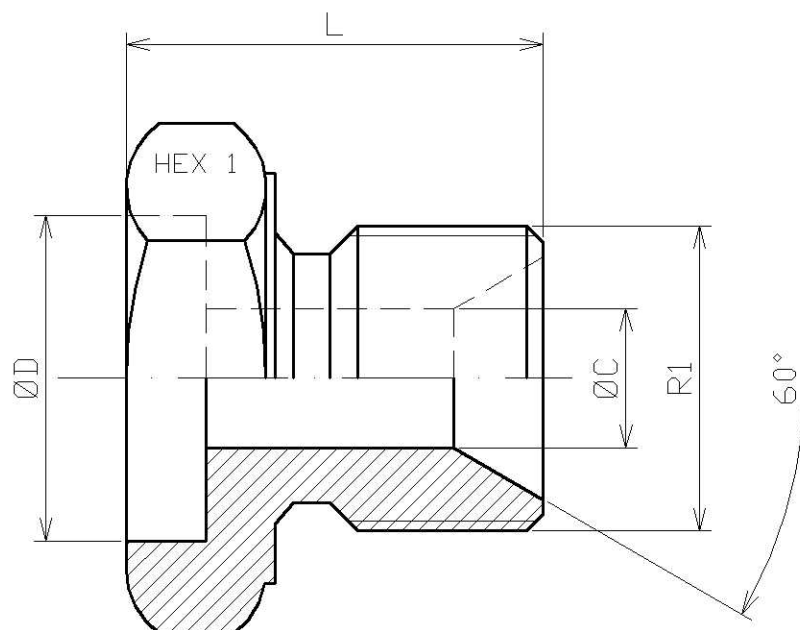
Tratamiento superficial: Pavonado

Adaptadores BSP

Soldables

Racor macho BSP (60°) soldable interior**FLUIDAL**

1/1



Artículo	R1	L	HEX 1	ØC	ØD
A103102	1/8" BSP	14	14	3,5	9,7
A103104	1/4" BSP	19	17	4,7	13,5
A103106	3/8" BSP	21	22	7,9	17
A103108	1/2" BSP	24,5	27	11,1	22
A103112	3/4" BSP	26,5	32	16,7	27
A103116	1" BSP	32	41	22,2	33
A103120	1"1/4 BSP	33	50	28,6	42
A103124	1"1/2 BSP	36,5	55	33,3	48,2
A103132	2" BSP	41,5	65	46	60

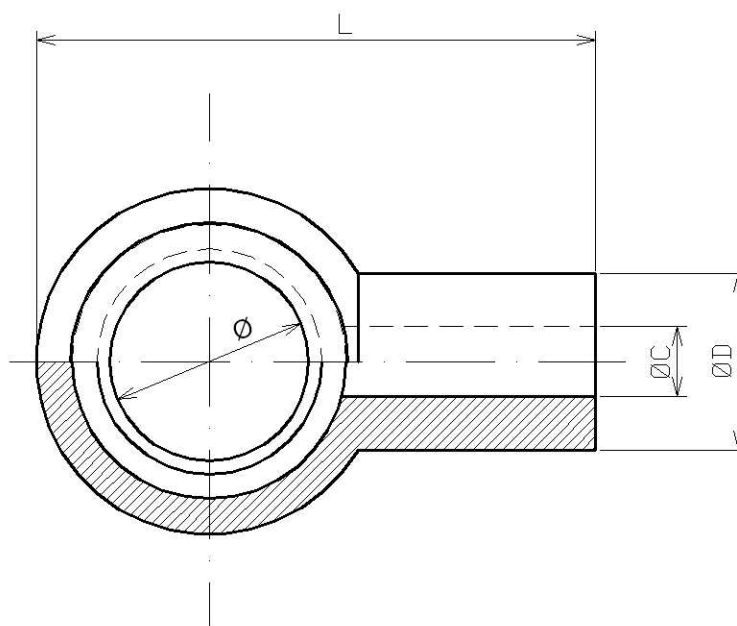
Tratamiento superficial: Pavonado

Adaptadores BSP

Soldables

Esférico BSP soldable exterior

1/1

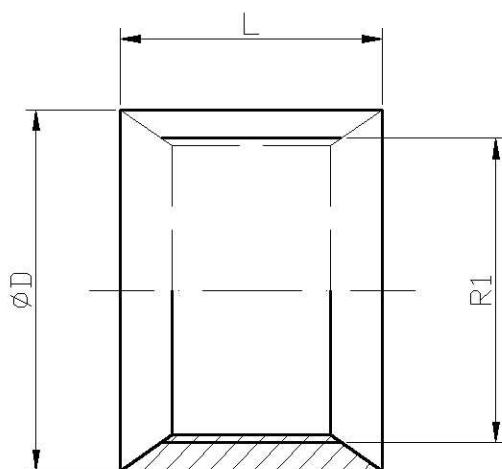


Artículo	R1	Ø	L	ØC	ØD
A114102	1/8" BSP	1/8"	26,2	4,1	8,5
A114104	1/4" BSP	1/4"	38	4,7	12
A114106	3/8" BSP	3/8"	47	7,9	15
A114108	1/2" BSP	1/2"	53	11,1	18,4
A114112	3/4" BSP	3/4"	66	16,7	23,5
A114116	1" BSP	1"	81,5	22,2	31

Tratamiento superficial: Pavonado

Adaptadores BSP

Soldables

Soldables para cilindros**FLUIDAL****1/1**

Artículo	R1	L	ØD
A13110400000	1/4" BSP	16	22
A13110600000	3/8" BSP	17	26
A13110800000	1/2" BSP	18	30
A13111200000	3/4" BSP	20	38

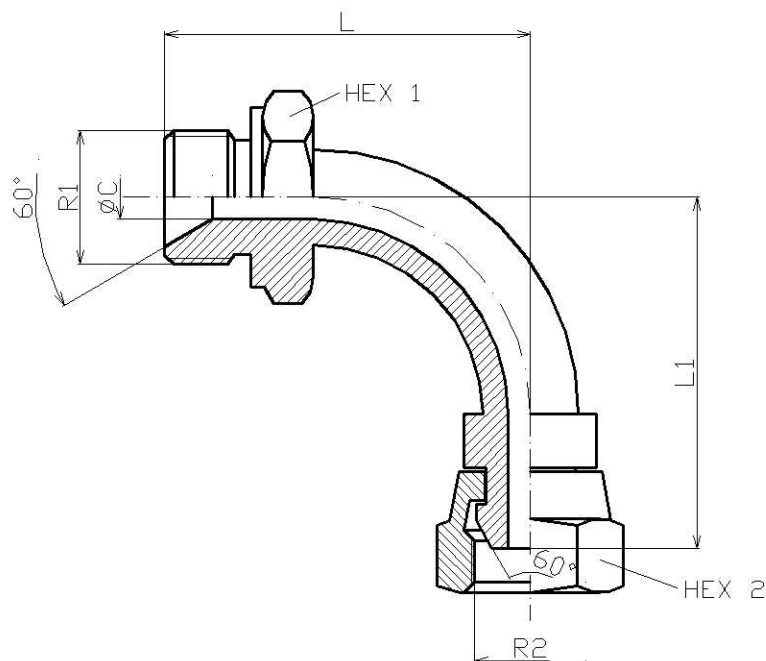
Adaptadores BSP

Codos accesorios (tubo)

Codo 90º macho-hembra giratoria BSP (60º)



1/1



Artículo	R1	R2	L	L1	HEX 1	HEX 2	ØC
A119404	1/4" BSP	1/4" BSP	30	32,5	19	19	5
A119406	3/8" BSP	3/8" BSP	37	39	22	22	8
A119408	1/2" BSP	1/2" BSP	45	47	27	27	11
A119412	3/4" BSP	3/4" BSP	54	57	32	32	16
A119416	1" BSP	1" BSP	68	69	41	41	22
A119420	1"1/4 BSP	1"1/4 BSP	88	85	50	50	28
A119424	1"1/2 BSP	1"1/2 BSP	100	100,5	55	55	33
A119432	2" BSP	2" BSP	115	85,5	65	70	46

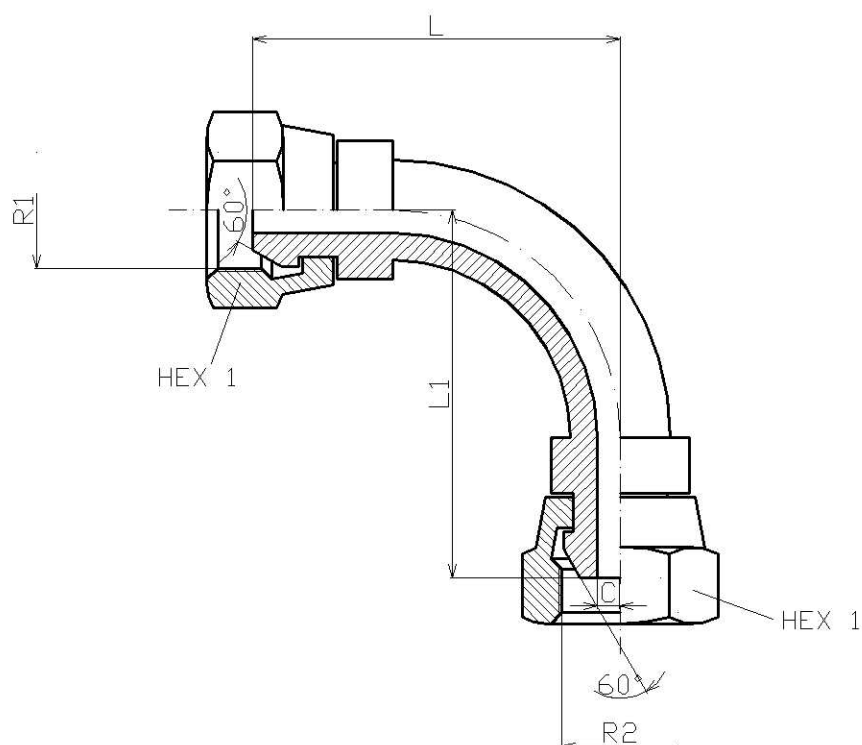
Adaptadores BSP

Codos accesorios (tubo)

Codo 90° hembra giratoria-hembra giratoria BSP (60°)



1/1



Artículo	R1	R2	L	L1	HEX 1	ØC
A119604	1/4" BSP	1/4" BSP	32,5	32,5	19	4
A119606	3/8" BSP	3/8" BSP	39	39	22	7
A119608	1/2" BSP	1/2" BSP	47	47	27	10
A119612	3/4" BSP	3/4" BSP	57	57	32	15
A119616	1" BSP	1" BSP	69	69	41	19
A119620	1" 1/4 BSP	1" 1/4 BSP	90	90	50	27
A119624	1" 1/2 BSP	1" 1/2 BSP	116	116	55	31
A119632	2" BSP	2" BSP	153	153	70	43

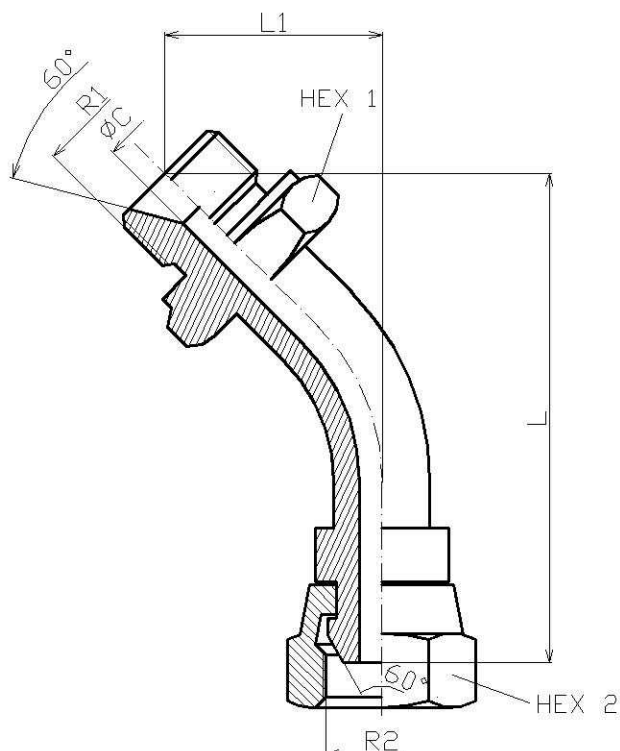
Adaptadores BSP

Codos accesorios (tubo)

Codo 45° macho-hembra giratoria BSP (60°)



1/1



Artículo	R1	R2	L	L1	HEX 1	HEX 2	ØC
A119504	1/4" BSP	1/4" BSP	50	18	17	19	5
A119506	3/8" BSP	3/8" BSP	60	20	22	22	8
A119508	1/2" BSP	1/2" BSP	63	24	27	27	11
A119512	3/4" BSP	3/4" BSP	83	25	32	32	16
A119516	1" BSP	1" BSP	95	32	41	41	22
A119520	1" 1/4 BSP	1" 1/4 BSP					
A119524	1" 1/2 BSP	1" 1/2 BSP					
A119532	2" BSP	2" BSP					

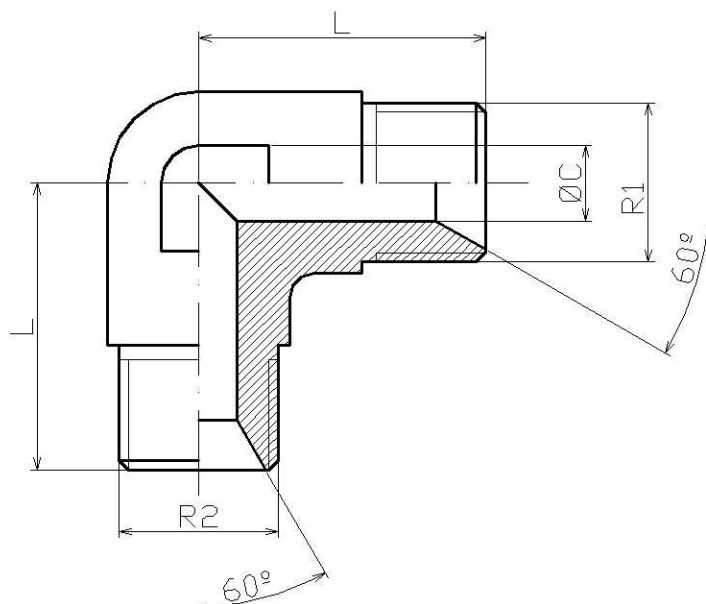
Adaptadores BSP

Codos en forja

Codo 90º macho-macho BSP (60º) forja



1/1



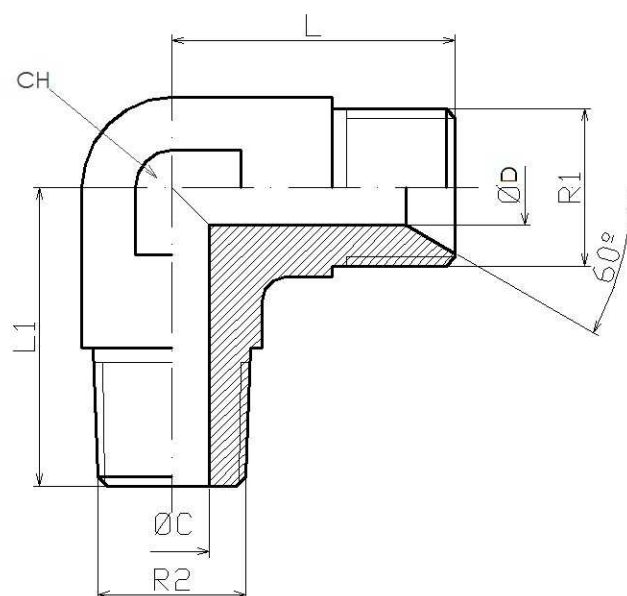
Artículo	R1	R2	L	ØC
S119004	1/4" BSP	1/4" BSP	25,4	4,7
S119006	3/8" BSP	3/8" BSP	28,5	7,9
S119008	1/2" BSP	1/2" BSP	32,5	11,1
S119012	3/4" BSP	3/4" BSP	41,3	16,7
S119016	1" BSP	1" BSP	44,5	22,2
S119020	1"1/4 BSP	1"1/4 BSP	52	28,6

Adaptadores BSP

Codos en forja

Codo 90° macho BSP (60°) -macho BSPT forja**FLUIDAL**

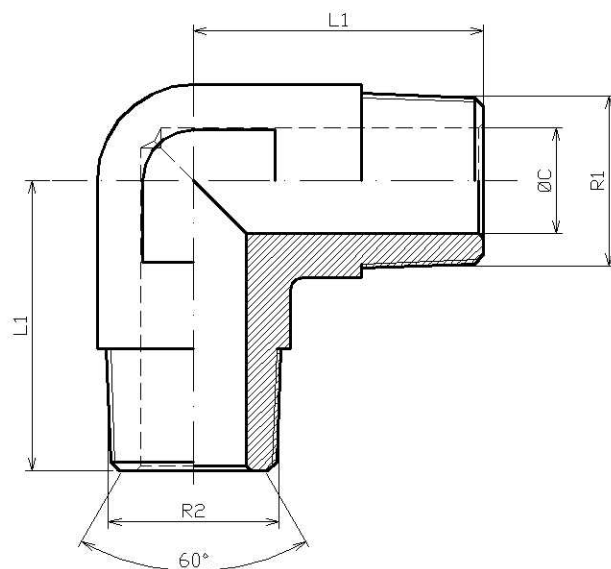
1/1



Artículo	R1	R2	L	L1	CH1	ØC	ØD
S119202	1/8" BSP	1/8" BSPT	18.5	18.5	11	4.5	3.5
S119204	1/4" BSP	1/4" BSPT	27	27	14	6	4.7
S119206	3/8" BSP	3/8" BSPT	29	31	19	9	7.9
S119208	1/2" BSP	1/2" BSPT	34	37.5	22	12	11.1
S119212	3/4" BSP	3/4" BSPT	40	40	27	16.7	16.7
S119216	1" BSP	1" BSPT	45	50	33	22.2	22.2
S119220	1" 1/4 BSP	1" 1/4 BSPT	52	56	41	28.6	28.6
S119224	1" 1/2 BSP	1" 1/2 BSPT	59	67	48	33.3	33.3
S119232	2" BSP	2" BSPT	75	75	65	46	46

Adaptadores BSP

Codos en forja

Codo 90° macho-macho BSPT forja**FLUIDAL****1/1**

Artículo	R1	R2	L1	ØC
S119504	1/4" BSPT	1/4" BSPT	25,4	8
S119506	3/8" BSPT	3/8" BSPT	28,5	10
S119508	1/2" BSPT	1/2" BSPT	32,5	14
S119512	3/4" BSPT	3/4" BSPT	41,3	18
S119516	1" BSPT	1" BSPT	44,5	22

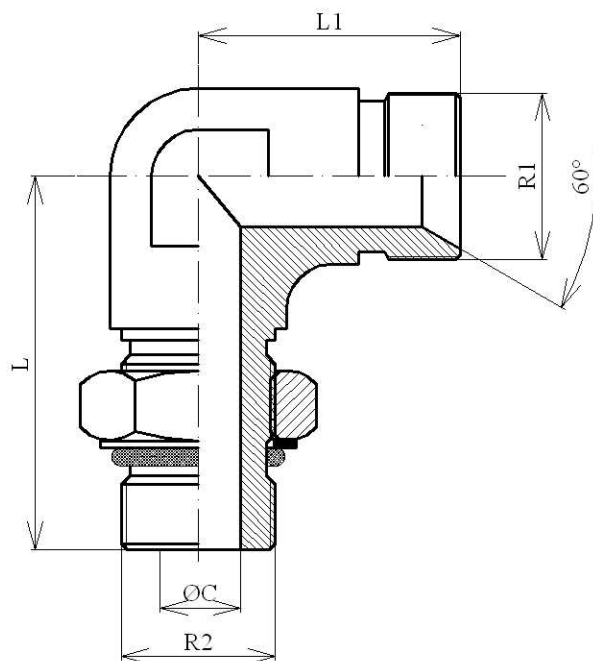
Adaptadores BSP

Codos en forja

Codo 90º macho BSP (60º) -macho BSP regulable forja



1/1



Artículo	R1	R2	L	L1	ØC
S11970202	1/8" BSP	1/8" BSP	22	26	4,4
S11970404	1/4" BSP	1/4" BSP	27,6	25,4	4,7
S11970604	3/8" BSP	1/4" BSP			
S11970606	3/8" BSP	3/8" BSP	32,9	28,5	7,9
S11970806	1/2" BSP	3/8" BSP			
S11970808	1/2" BSP	1/2" BSP	42	32,5	11,1
S11971208	3/4" BSP	1/2" BSP	47	40	12,5
S11971212	3/4" BSP	3/4" BSP	51,3	41,3	16,7
S11971612	1" BSP	3/4" BSP			
S11971616	1" BSP	1" BSP	54,2	44,5	22,2
S11972020	1"1/4 BSP	1"1/4 BSP	62,9	50,8	28,6

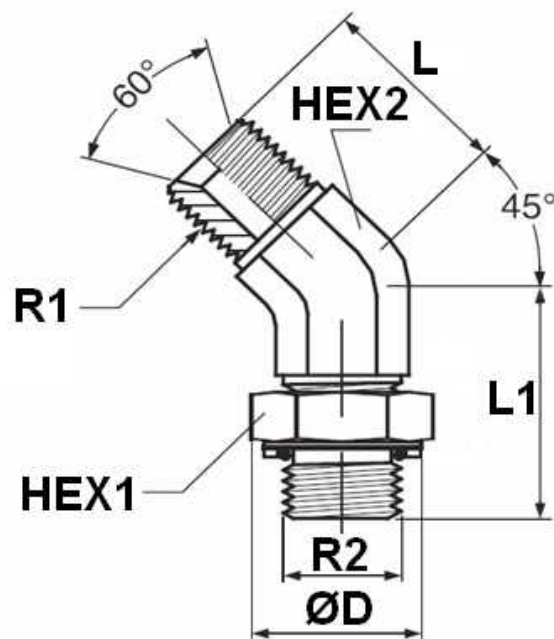
Adaptadores BSP

Codos en forja

Codo 45° macho BSP (60°) -macho BSP regulable forja



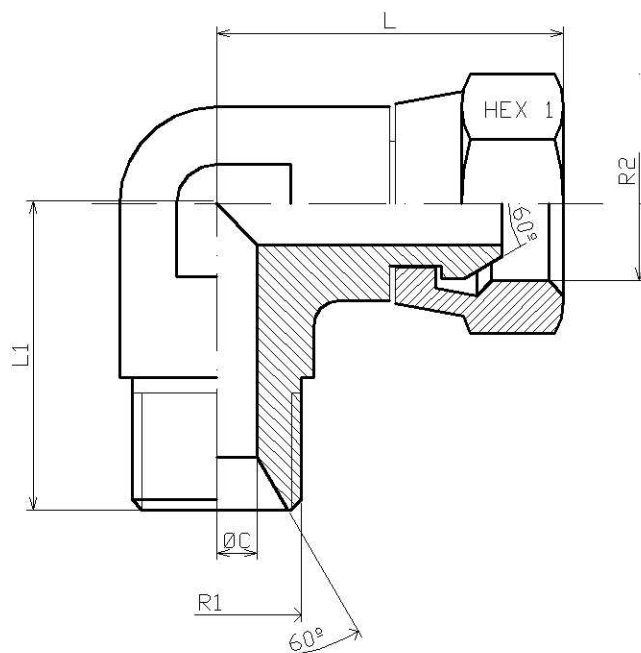
1/1



Artículo	R1	R2	L1	HEX 1	HEX 2	ØD	L
S11980404	M 1/4" BSP	MR 1/4" BSP	29	19	14	19	21
S11980606	M 3/8" BSP	MR 3/8" BSP	35	22	19	23	25
S11980808	M 1/2" BSP	MR 1/2" BSP	38	27	22	28.5	28
S11981212	M 3/4" BSP	MR 3/4" BSP	44	32	27	34.5	32
S11981616	M 1" BSP	MR 1" BSP	47	41	33	44.5	37

Adaptadores BSP

Codos en forja

Codo 90° macho-hembra giratoria BSP (60°) forja**FLUIDAL****1/1**

Artículo	R1	R2	L	L1	HEX 1	ØC
S119302	1/8 " BSP	1/8 " BSP	22	20	14	3,5
S119304	1/4" BSP	1/4" BSP	25	25,4	19	4,7
S119306	3/8" BSP	3/8" BSP	33	28,5	22	7,9
S119308	1/2" BSP	1/2" BSP	38	32,5	27	11,1
S119312	3/4" BSP	3/4" BSP	45	41,3	32	16,7
S119316	1" BSP	1" BSP	53	44,5	41	22,2
S119320	1"1/4 BSP	1"1/4 BSP	58	50,8	50	28,6
S119324	1"1/2 BSP	1"1/2 BSP	63	59	55	33,3

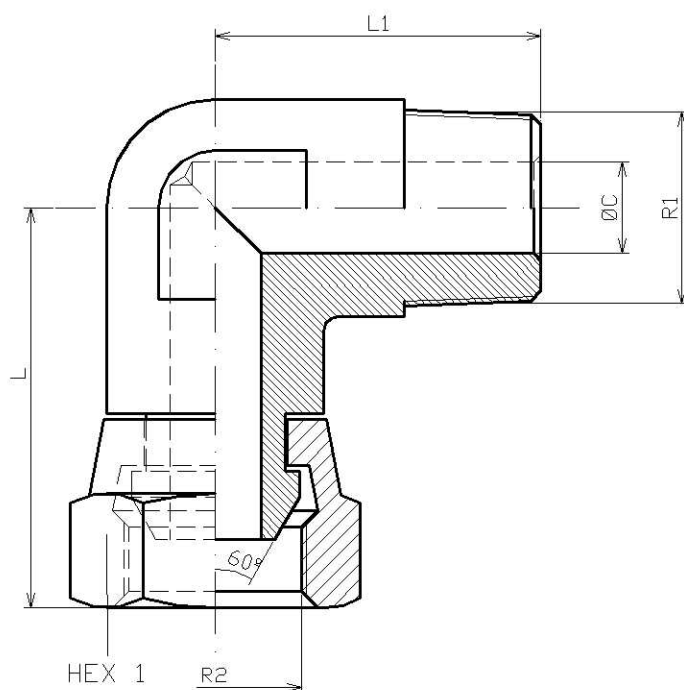
Adaptadores BSP

Codos en forja

Codo 90º macho BSPT-hembra giratoria BSP (60º) forja



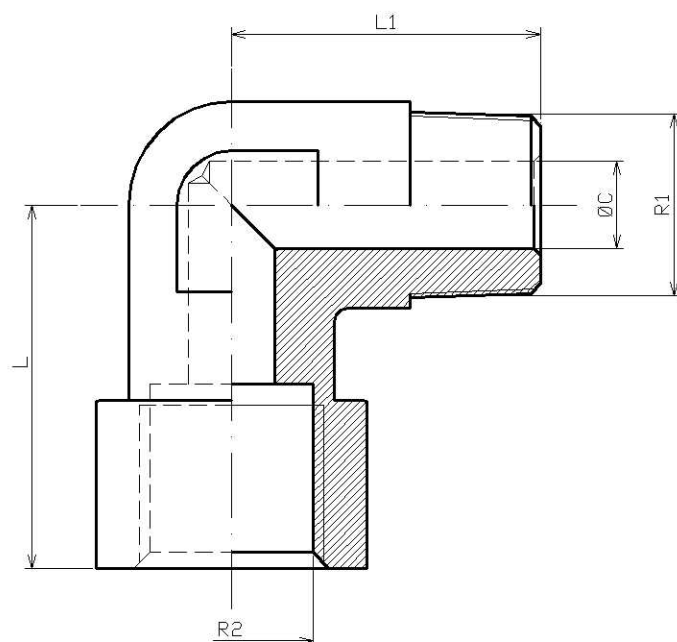
1/1



Artículo	R1	R2	L	L1	HEX 1	ØC
S119904	M 1/4" BSPT	H 1/4" BSP	34	25,4	19	8
S119906	M 3/8" BSPT	H 3/8" BSP	38	28,5	22	10
S119908	M 1/2" BSPT	H 1/2" BSP	44	32,5	27	14
S119912	M 3/4" BSPT	H 3/4" BSP	55	41,3	32	18
S119916	M 1" BSPT	H 1" BSP	61	44,5	41	22

Adaptadores BSP

Codos en forja

Codo 90° macho BSPT-hembra fija BSP forja**FLUIDAL****1/1**

Artículo	R1	R2	L	L1	ØC
S119402	M 1/8" BSPT	H 1/8" BSP	16	25,4	4
S119404	M 1/4" BSPT	H 1/4" BSP	21	25,4	8
S119406	M 3/8" BSPT	H 3/8" BSP	25	28,5	10
S119408	M 1/2" BSPT	H 1/2" BSP	32	32,5	14
S119412	M 3/4" BSPT	H 3/4" BSP	36	41,3	18
S119416	M 1" BSPT	H 1" BSP	42	44,5	22

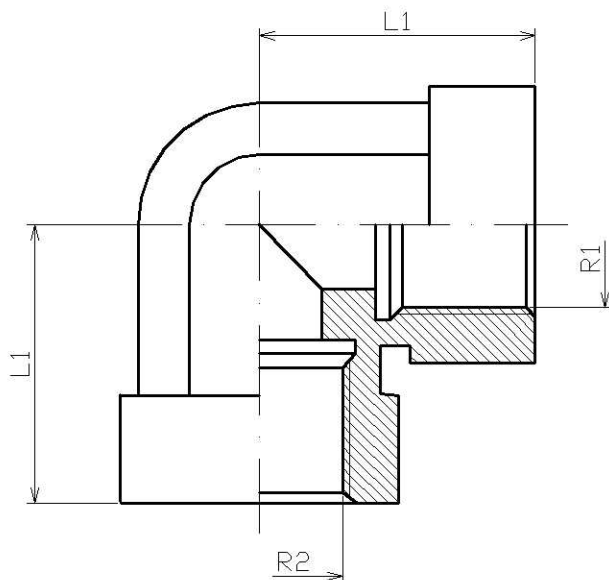
Adaptadores BSP

Codos en forja

Codo 90° hembra fija-hembra fija BSP forja



1/1



Artículo	R1	R2	L1
S119602	1/8" BSP	1/8" BSP	16
S119604	1/4" BSP	1/4" BSP	21
S119606	3/8" BSP	3/8" BSP	25
S119608	1/2" BSP	1/2" BSP	32
S119612	3/4" BSP	3/4" BSP	36
S119616	1" BSP	1" BSP	42
S119620	1"1/4 BSP	1"1/4 BSP	50

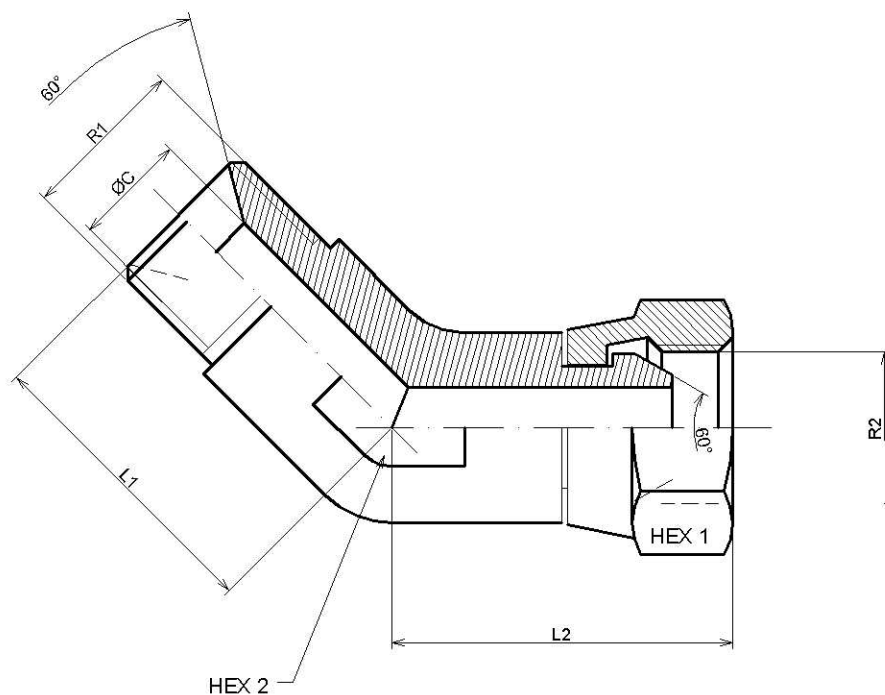
Adaptadores BSP

Codos en forja

Codo 45º macho-hembra giratoria forja BSP 60º forja



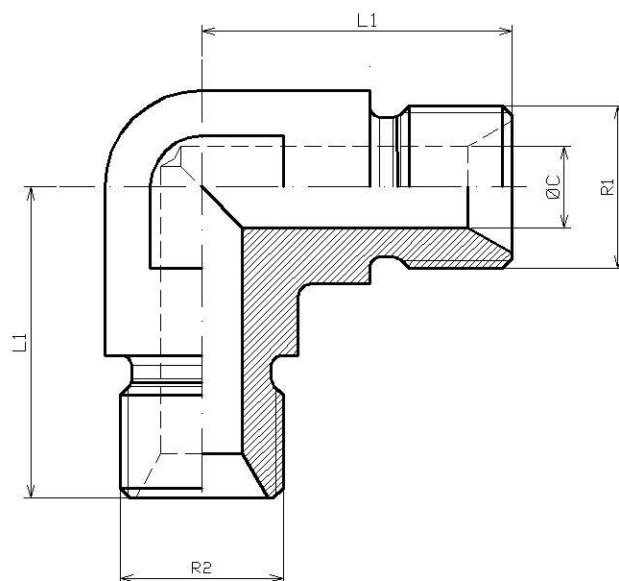
1/1



Artículo	R1	R2	L1	L2	HEX 1	HEX 2
S118504	1/4" BSP	1/4" BSP	21	29	19	17
S118506	3/8" BSP	3/8" BSP	23,5	33	22	22
S118508	1/2" BSP	1/2" BSP	26	37	27	24
S118512	3/4" BSP	3/4" BSP	32	45	32	32
S118516	1" BSP	1" BSP	34,5	50	41	41
S118520	1"1/4 BSP	1"1/4 BSP	36	51	50	50

Adaptadores BSP

Codos en forja

Codo 90º macho-macho Métrico (60º) forja**FLUIDAL****1/1**

Artículo	R1	R2	L1	ØC
S86012	M12x1.5	M12x1.5	24,4	4,5
S86016	M16x1.5	M16x1.5	25,5	8
S86022	M22x1.5	M22x1.5	28,5	12

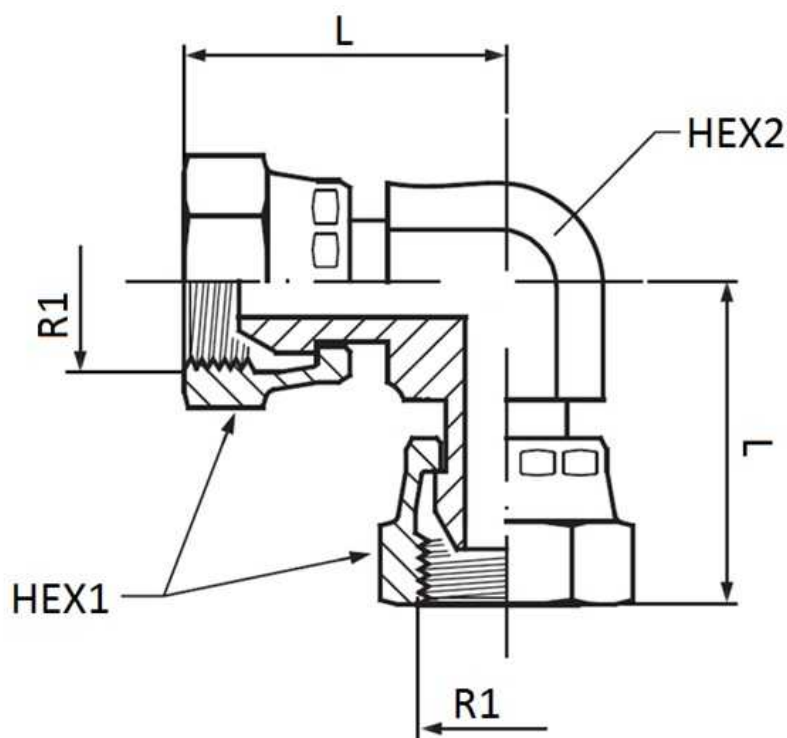
Adaptadores BSP

Codos en forja

**Codo 90º hembra giratoria-hembra giratoria BSP
(60º) forja**



1/1



Artículo	R1	R2	L	HEX 1	HEX 2
S118304	1/4" BSP	1/4" BSP	29	14	19
S118306	3/8" BSP	3/8" BSP	34	19	22
S118308	1/2" BSP	1/2" BSP	40	22	27
S118312	3/4" BSP	3/4" BSP	46	27	32
S118316	1" BSP	1" BSP	51,5	33	41
S118320	1"1/4 BSP	1"1/4 BSP	57	41	50
S118324	1"1/2 BSP	1"1/2 BSP	64	48	55

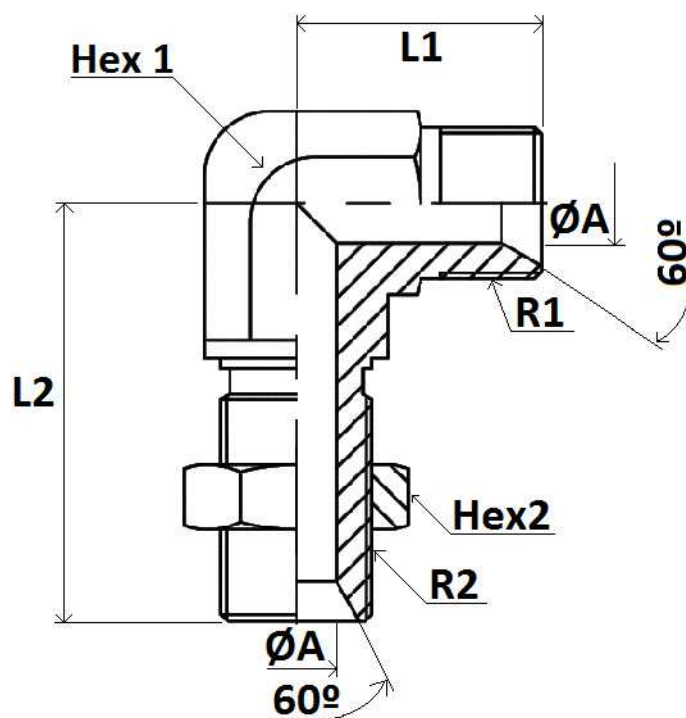
Adaptadores BSP

Codos en forja

Codo 90º Pasatabique Macho BSP (60º) - Macho BSP (60º)



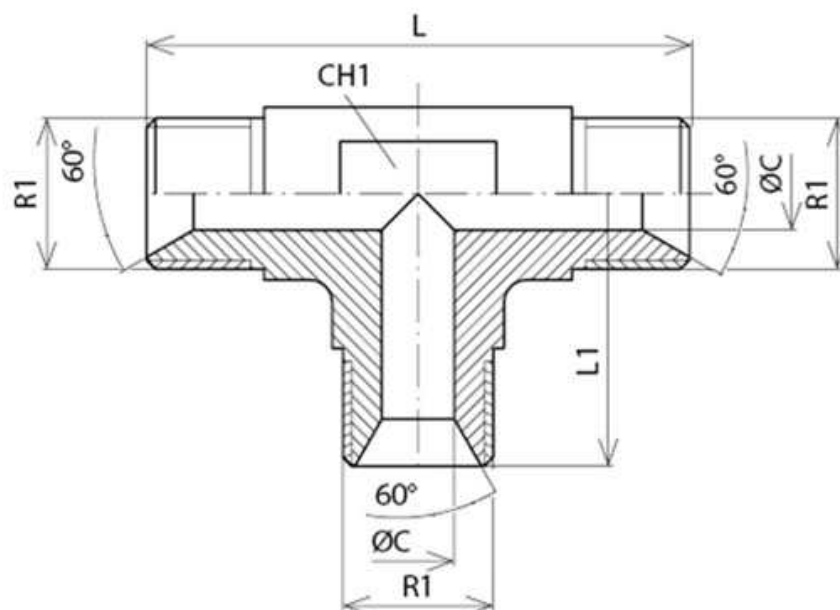
1/1



Artículo	R1	R2	L1	L2	HEX 1	HEX 2	ØA
S11860404	1/4" BSP	1/4" BSP	26	44	14	19	4,7
S11860606	3/8" BSP	3/8" BSP	30	49	19	22	7,9
S11860808	1/2" BSP	1/2" BSP	34	55	22	27	11,1
S11861212	3/4" BSP	3/4" BSP	42	63	27	32	16,7
S11861616	1" BSP	1" BSP	47	69	33	41	22,2

Adaptadores BSP

Te en forja

Te macho-macho-macho BSP forja**FLUIDAL****1/1**

Artículo	R1	R2	R3	L	L1	CH1	ØC
S122002	1/8" BSP	1/8" BSP	1/8" BSP				
S122004	1/4" BSP	1/4" BSP	1/4" BSP	54	27	14	4,7
S122006	3/8" BSP	3/8" BSP	3/8" BSP	58	29	19	7,9
S122008	1/2" BSP	1/2" BSP	1/2" BSP	70	35	22	11,1
S122012	3/4" BSP	3/4" BSP	3/4" BSP	82	41	27	16,7
S122016	1" BSP	1" BSP	1" BSP	92	46	33	22,2
S122020	1"1/4 BSP	1"1/4 BSP	1"1/4 BSP	102	51	41	28,6
S122024	1"1/2 BSP	1"1/2 BSP	1"1/2 BSP	118	59	48	33,3

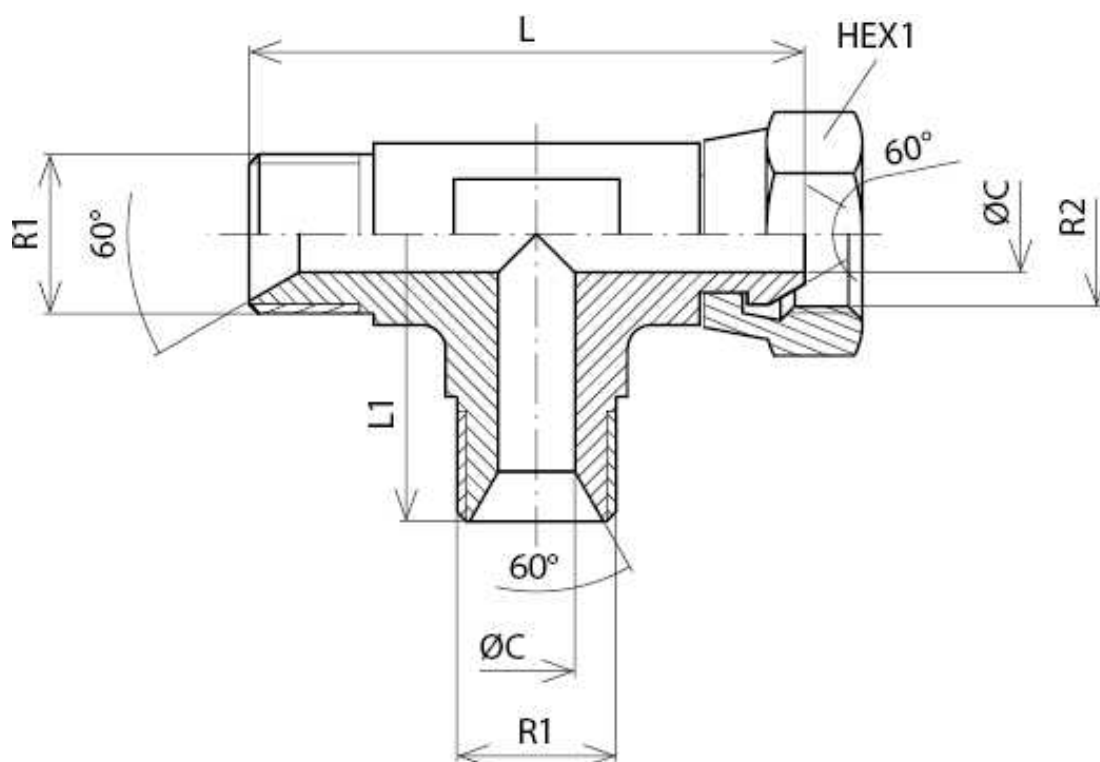
Adaptadores BSP

Te en forja

Te macho-macho-hembra giratoria BSP (60°) forja



1/1



Artículo	R1	R2	R3	L	L1	HEX 1	CH1
S122302	1/8" BSP	1/8" BSP	1/8" BSP				
S122304	1/4" BSP	1/4" BSP	1/4" BSP	54	27	19	14
S122306	3/8" BSP	3/8" BSP	3/8" BSP	58	29	22	19
S122308	1/2" BSP	1/2" BSP	1/2" BSP	70	35	27	22
S122312	3/4" BSP	3/4" BSP	3/4" BSP	86	43	32	27
S122316	1" BSP	1" BSP	1" BSP	94	47	41	33
S122320	1"1/4 BSP	1"1/4 BSP	1"1/4 BSP	100	50	50	41

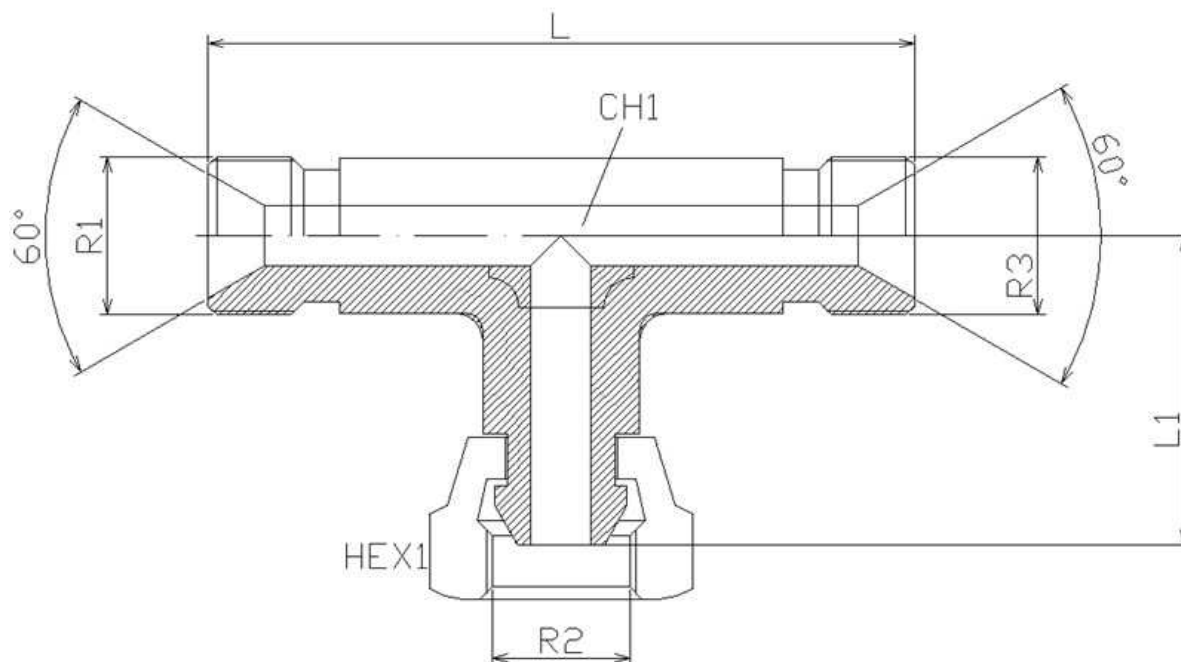
Adaptadores BSP

Te en forja

Te macho-hembra giratoria-macho BSP (60°) forja



1/1



Artículo	R1	R2	R3	L	L1	HEX 1	CH1
S122404	1/4" BSP	1/4" BSP	1/4" BSP	54	24	19	14
S122406	3/8" BSP	3/8" BSP	3/8" BSP	58	28	22	19
S122408	1/2" BSP	1/2" BSP	1/2" BSP	70	33,5	27	22
S122412	3/4" BSP	3/4" BSP	3/4" BSP	86	38	32	27
S122416	1" BSP	1" BSP	1" BSP	94	45,5	41	33
S122420	1"1/4 BSP	1"1/4 BSP	1"1/4 BSP	100	50	50	41

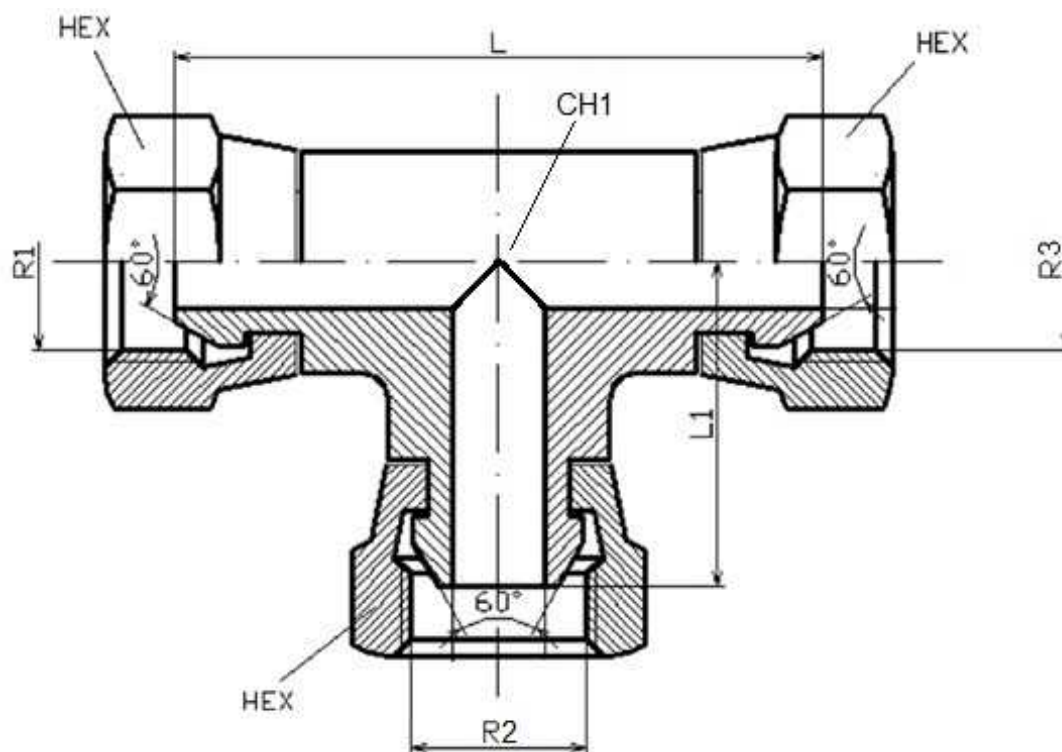
Adaptadores BSP

Te en forja

Te hembras giratorias BSP (60°) forja



1/1



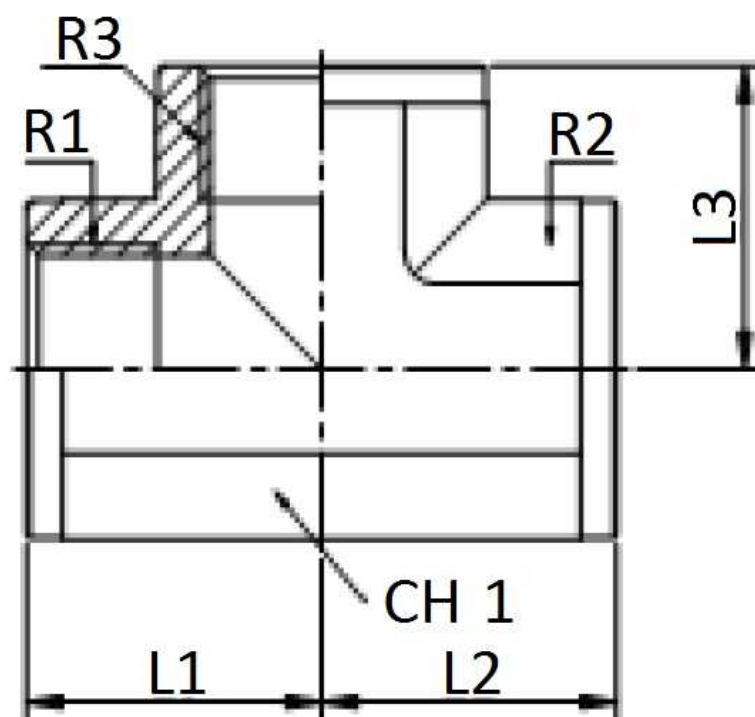
Artículo	R1	R2	R3	L	L1	HEX 1	CH1
S122504	1/4" BSP	1/4" BSP	1/4" BSP	49	24,5	19	14
S122506	3/8" BSP	3/8" BSP	3/8" BSP	55	27,5	22	19
S122508	1/2" BSP	1/2" BSP	1/2" BSP	63	31,5	27	22
S122512	3/4" BSP	3/4" BSP	3/4" BSP	83	41,5	32	27
S122516	1" BSP	1" BSP	1" BSP	92	46	41	33

Adaptadores BSP

Te en forja

Te hembras fijas BSP forja**FLUIDAL**

1/1



Artículo	R1	R2	R3	L1	L2	L3	CH1
S122602	1/8" BSP	1/8" BSP	1/8" BSP	20	20	20	14
S122604	1/4" BSP	1/4" BSP	1/4" BSP	22	22	22	19
S122606	3/8" BSP	3/8" BSP	3/8" BSP	26	26	26	22
S122608	1/2" BSP	1/2" BSP	1/2" BSP	32	32	32	27
S122612	3/4" BSP	3/4" BSP	3/4" BSP	36	36	36	33
S122616	1" BSP	1" BSP	1" BSP	42	42	42	41
S122620	1"1/4 BSP	1"1/4 BSP	1"1/4 BSP	48	48	48	48

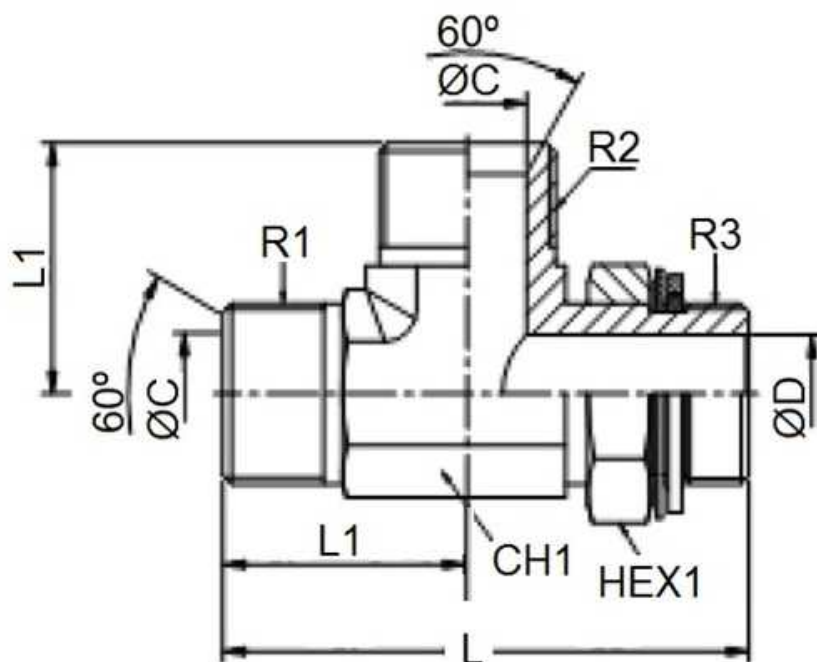
Adaptadores BSP

Te en forja

Te macho-macho-macho regulable BSP forja



1/1



Artículo	R1	R2	R3	L	L1	HEX 1	CH1	ØC	ØD
S12290404	1/4" BSP	1/4" BSP	1/4" BSP	58,5	27	19	14	4,7	7,5
S12290606	3/8" BSP	3/8" BSP	3/8" BSP	66	29	22	19	7,9	9,9
S12290806	1/2" BSP	3/8" BSP	1/2" BSP	74	34	22	22	11,1	9,9
S12290808	1/2" BSP	1/2" BSP	1/2" BSP	77	34	27	22	11,1	12,3
S12291208	3/4" BSP	1/2" BSP	3/4" BSP	87	41	27	27	16,7	12,3
S12291212	3/4" BSP	3/4" BSP	3/4" BSP	91	41	32	27	16,7	15,5
S12291612	1" BSP	3/4" BSP	1" BSP	98	46	32	33	22,2	15,5
S12291616	1" BSP	1" BSP	1" BSP	99	46	41	33	22,2	21,5
S12292020	1"1/4 BSP	1"1/4 BSP	1"1/4 BSP	109	51	50	41	28,6	27,5

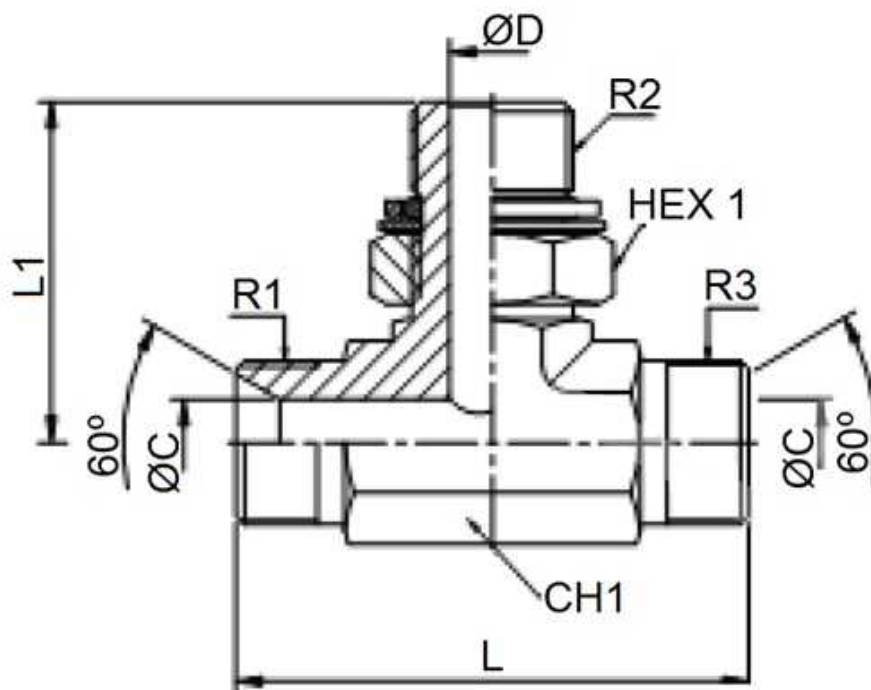
Adaptadores BSP

Te en forja

Te macho-macho regulable-macho BSP forja



1/1



Artículo	R1	R2	R3	L	L1	HEX 1	CH1	ØC	ØD
S12280404	1/4" BSP	1/4" BSP	1/4" BSP	54	31,5	19	14	4,7	7,5
S12280604	3/8" BSP	1/4" BSP	3/8" BSP	58	35	19	19	7,9	7,5
S12280606	3/8" BSP	3/8" BSP	3/8" BSP	58	37	22	19	7,9	9,9
S12280806	1/2" BSP	3/8" BSP	1/2" BSP	68	40	22	22	11,1	9,9
S12280808	1/2" BSP	1/2" BSP	1/2" BSP	68	43	27	22	11,1	12,3
S12281208	3/4" BSP	3/4" BSP	1/2" BSP	82	46	27	27	16,7	12,3
S12281212	3/4" BSP	3/4" BSP	3/4" BSP	82	50	32	27	16,7	15,5
S12281612	1" BSP	3/4" BSP	1" BSP	92	52	32	33	22,2	15,5
S12281616	1" BSP	1" BSP	1" BSP	92	53	41	33	22,2	21,5
S12282016	1"1/4 BSP	1" BSP	1"1/4 BSP	104	57	50	41	28,6	22,2
S12282020	1"1/4 BSP	1"1/4 BSP	1"1/4 BSP	102	58	50	41	28,6	27,5

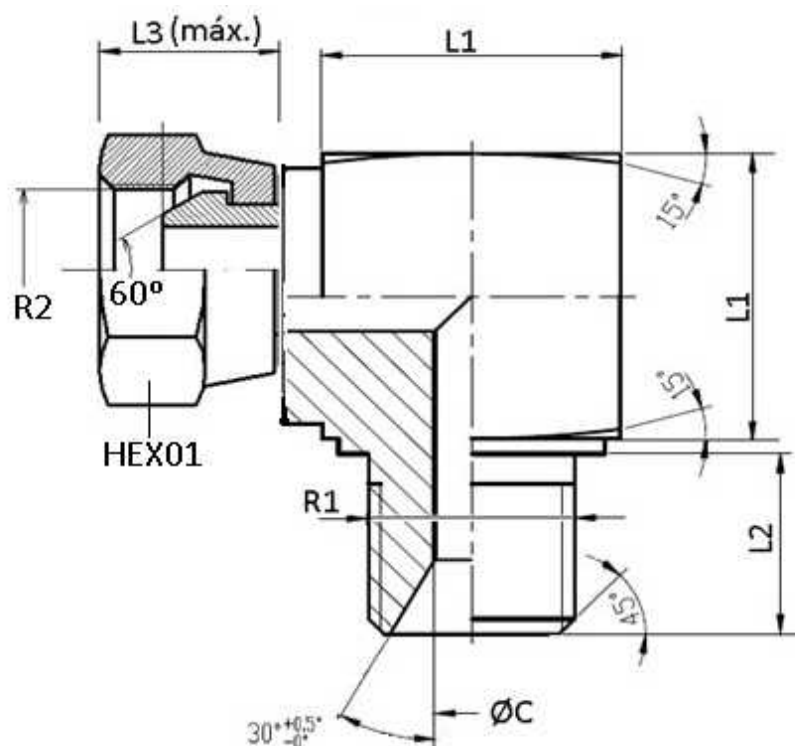
Adaptadores BSP

Codos y Te en bloque (cuadrado)

Codo cuadrado 90º macho-hembra giratoria



1/1



Artículo	R1	R2	L1	L2	L3	HEX 1	ØC
A21930400	1/4" BSP	1/4" BSP	19	12	11,5	19	4,7
A21930600	3/8" BSP	3/8" BSP	22	14	12,5	22	7,9
A21930800	1/2" BSP	1/2" BSP	26	16,8	15	27	11,1
A21931200	3/4" BSP	3/4" BSP	30	18,8	17,5	32	16,7
A21931600	1" BSP	1" BSP	40	21	19,5	41	22,2

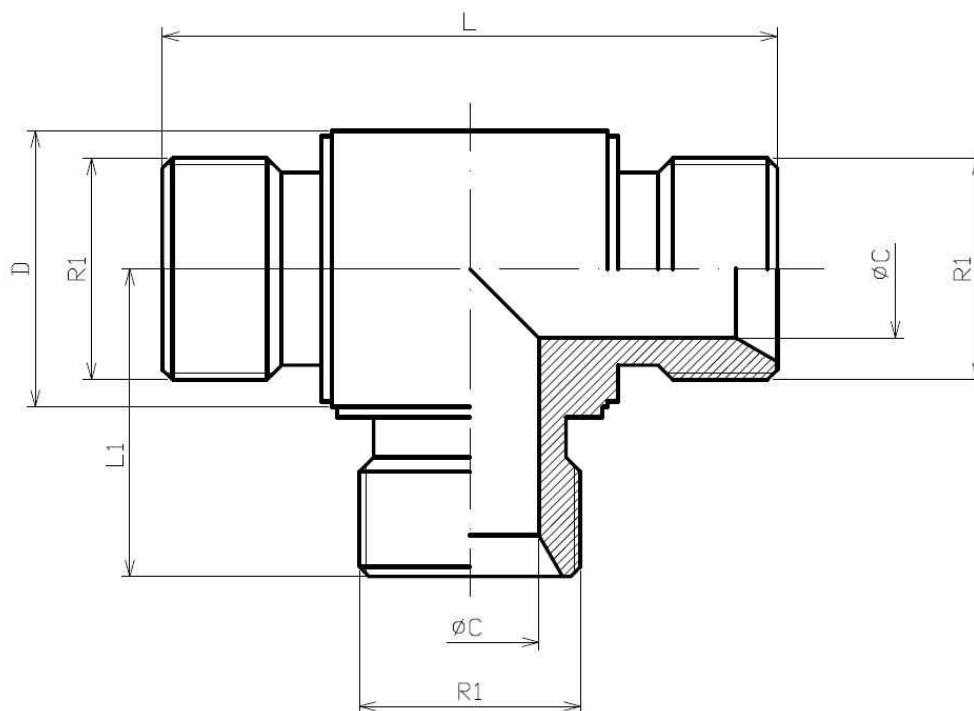
Adaptadores BSP

Codos y Te en bloque (cuadrado)

Te cuadrado macho-macho-macho



1/1



Artículo	R1	R2	R3	L	L1	ØC	D
A22200400	1/4" BSP	1/4" BSP	1/4" BSP				
A22200600	3/8" BSP	3/8" BSP	3/8" BSP	49	22	5	19
A22200800	1/2" BSP	1/2" BSP	1/2" BSP				
A22201200	3/4" BSP	3/4" BSP	3/4" BSP	65	31	14	27
A22201600	1" BSP	1" BSP	1" BSP	87.5	42	22	40

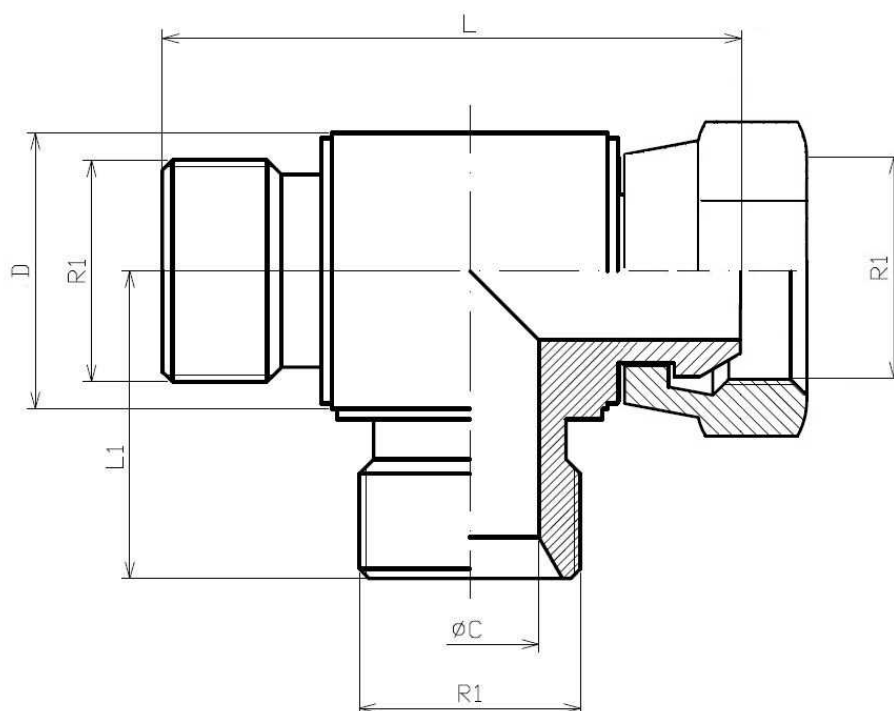
Adaptadores BSP

Codos y Te en bloque (cuadrado)

Te cuadrado macho-hembra giratoria-macho



1/1



Artículo	R1	R2	R3	L	L1	ØC	D
A22240400	1/4" BSP	1/4" BSP	1/4" BSP	45.3	22	5	19
A22240600	3/8" BSP	3/8" BSP	3/8" BSP	52	25	8	22
A22240800	1/2" BSP	1/2" BSP	1/2" BSP	61	27	11	26
A22241200	3/4" BSP	3/4" BSP	3/4" BSP	70	31	16	30
A22241600	1" BSP	1" BSP	1" BSP	87.5	42	22	40

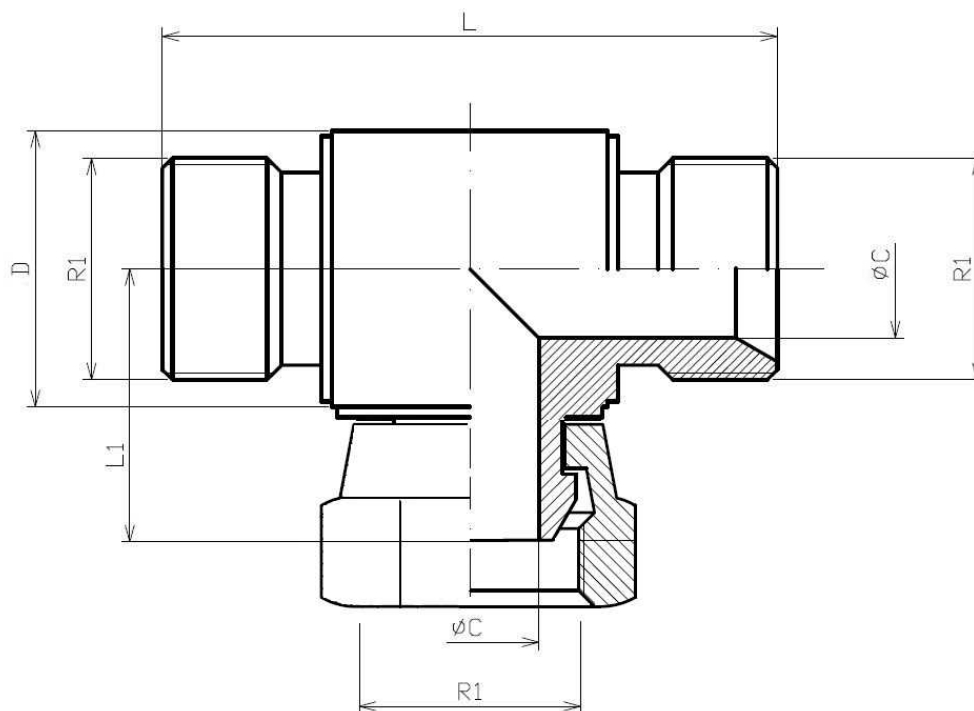
Adaptadores BSP

Codos y Te en bloque (cuadrado)

Te cuadrado macho-macho-hembra giratoria



1/1



Artículo	R1	R2	R3	L	L1	ØC	D
A22220400	1/4" BSP	1/4" BSP	1/4" BSP	42	22	5	19
A22220600	3/8" BSP	3/8" BSP	3/8" BSP	52	25	8	22
A22220800	1/2" BSP	1/2" BSP	1/2" BSP	61	30.5	11	26
A22221200	3/4" BSP	3/4" BSP	3/4" BSP	69	33	16	30
A22221600	1" BSP	1" BSP	1" BSP	84	42	22	40

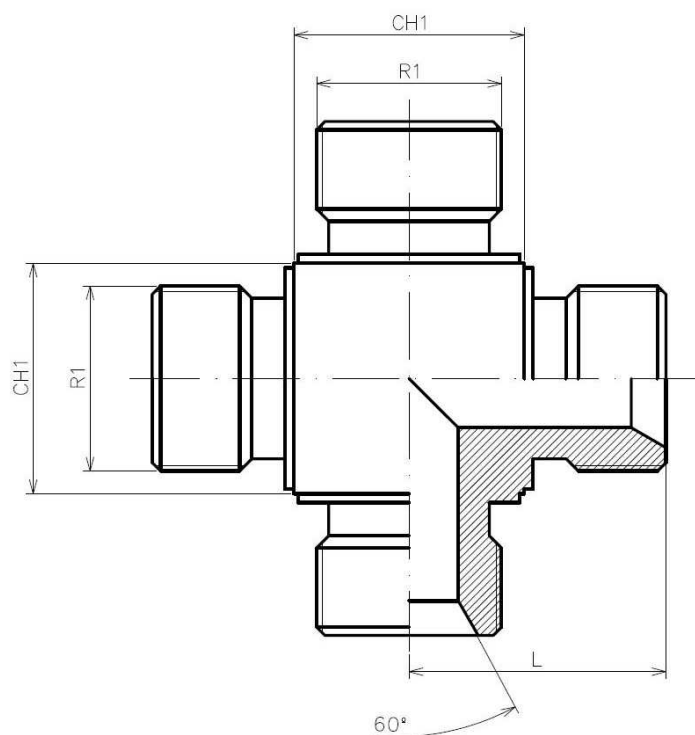
Adaptadores BSP

Codos y Te en bloque (cuadrado)

Cruz cuadrada macho BSP



1/1



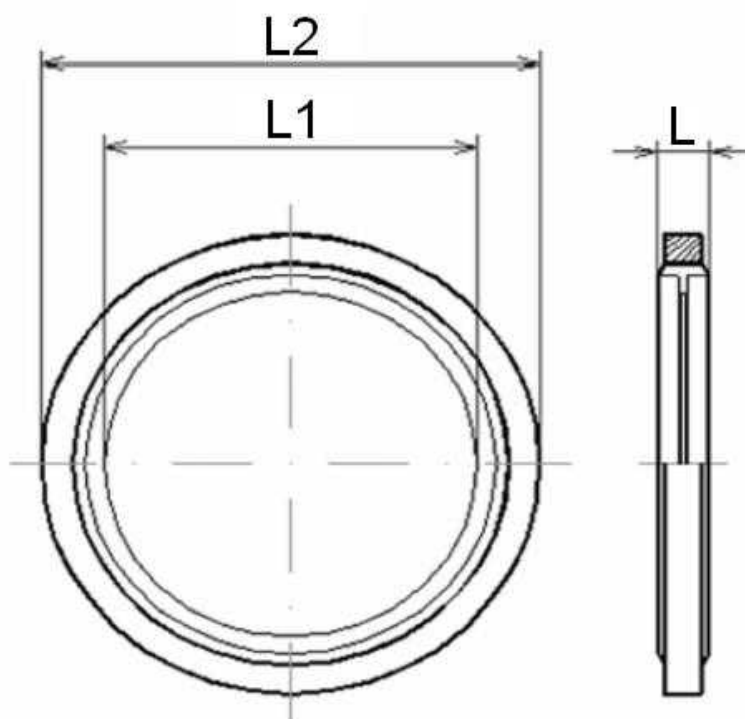
Artículo	R1	L	CH1
A22230400	1/4" BSP	22.8	19
A22230600	3/8" BSP	23.2	22
A22230800	1/2" BSP	23.2	25
A22231200	3/4" BSP	34.2	30
A22231600	1" BSP	44	40

Adaptadores BSP

Juntas metal Buna y arandelas

Juntas Metal Buna GAS Autocentrantes**FLUIDAL**

1/1

**Materiales** ·Arandela: Acero carbono. Junta: NBR**Temperatura de trabajo** De -30°C a +100°C

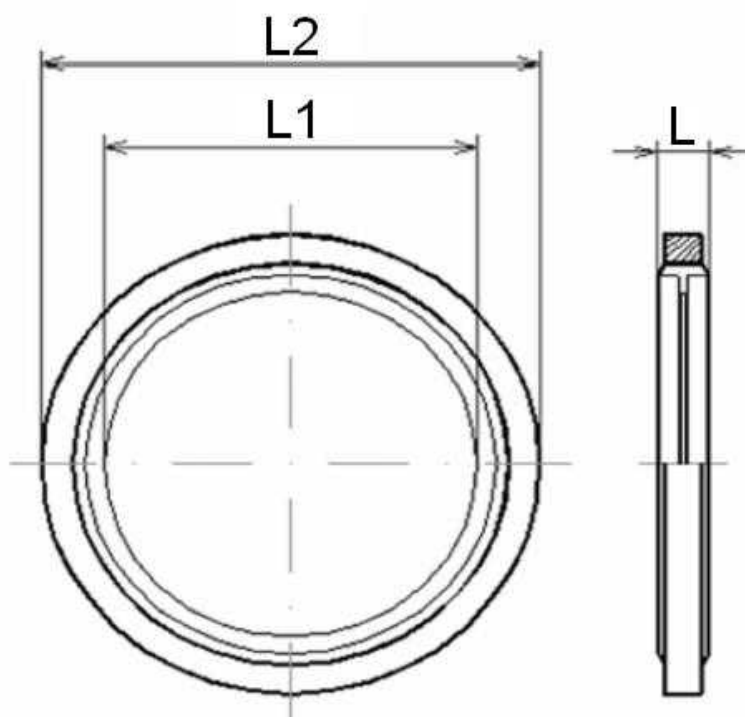
Artículo	R1	Presión de trabajo (bar)	L	L1	L2
T21002	1/8" BSP	1480	2,03	10,37	15,88
T21004	1/4" BSP	1540	2	13,74	20,57
T21006	3/8" BSP	1230	2	17,28	23,8
T21008	1/2" BSP	1120	2	21,54	28,58
T21010	5/8" BSP	1240	2,5	23,49	31,75
T21012	3/4" BSP	1050	2	27,05	34,93
T21016	1" BSP	780	2,5	33,89	42,8
T21020	1"1/4 BSP	690	2,5	42,93	52,38
T21024	1"1/2 BSP	690	2,5	48,44	58,6
T21032	2" BSP	720	2,5	60,58	73,03

Adaptadores BSP

Juntas metal Buna y arandelas

Juntas Metal Buna Métricas Autocentrantes**FLUIDAL**

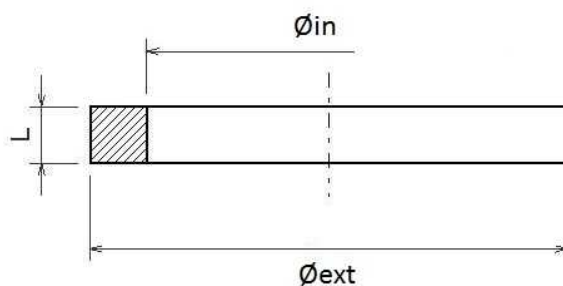
1/1

**Materiales** ·Arandela: Acero carbono. Junta: NBR**Temperatura de trabajo** De -30°C a +100°C

Artículo	R1	Presión de trabajo (bar)	L	L1	L2
T32008	M8x1	1510	1	8,7	13
T32010	M10x1	1510	1,5	10,7	16
T32012	M12x1.5	1680	1,5	12,7	18
T32014	M14x1.5	1510	1,5	14,7	22
T32016	M16x1.5	1370	1,5	16,7	24
T32018	M18x1.5	1260	1,5	18,7	26
T32020	M20x1.5	1140	1,5	20,7	28
T32022	M22x1.5	1080	2	22,7	30
T32024	M24x1.5	1000	2	24,7	32
T32026	M26x1.5	1000	2	26,7	35
T32030	M30x2	780	2	31	39
T32032	M32x2	780	2	32,7	42
T32036	M36x2	690	2	36,7	46
T32042	M42x2	690	3	42,7	53

Adaptadores BSP

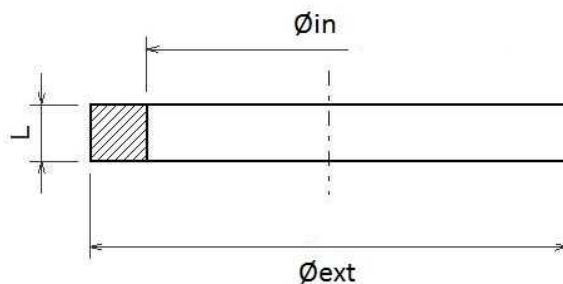
Juntas metal Buna y arandelas

Arandelas Aluminio GAS**1/1****Material:** Aluminio

Artículo	R1	Ø ext	Ø in	L
A133202	1/8"	14	10	1,5
A133204	1/4"	19	13	1,5
A133206	3/8"	22	17	1,5
A133208	1/2"	27	21	1,5
A133212	3/4"	33	27	1,5
A133216	1"	41	33	1,5
A133220	1"1/4	50	42	1,5
A133224	1"1/2	60	48	1,5

Adaptadores BSP

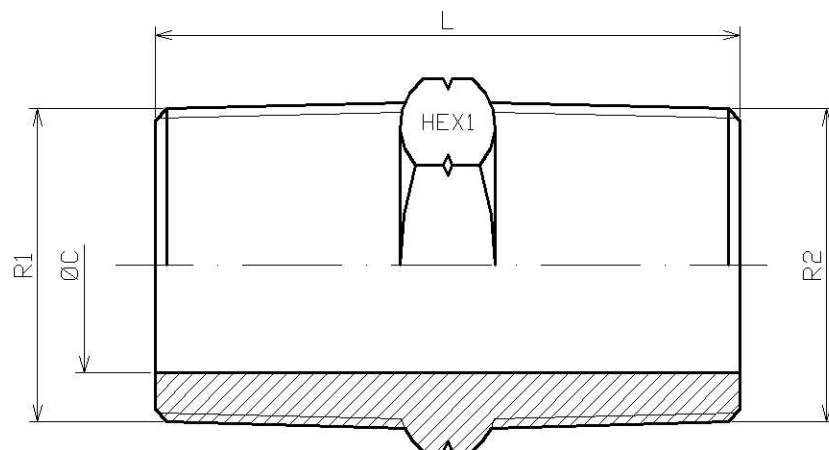
Juntas metal Buna y arandelas

Arandelas plana Cobre recocido GAS**1/1****Material:** Cobre

Artículo	R1	Ø ext	Ø in	L
A133002	1/8"	14	10	1,5
A133004	1/4"	19	13	1,5
A133006	3/8"	22	17	1,5
A133008	1/2"	27	21	1,5
A133012	3/4"	33	27	1,5
A133016	1"	41	33	1,5
A133020	1"1/4	50	42	1,5
A133024	1"1/2	60	48	1,5
A133032	2"	72	60	1,5

Adaptadores NPT

Uniones rectas macho-macho

Adaptor macho - macho NPT**FLUIDAL****1/1**

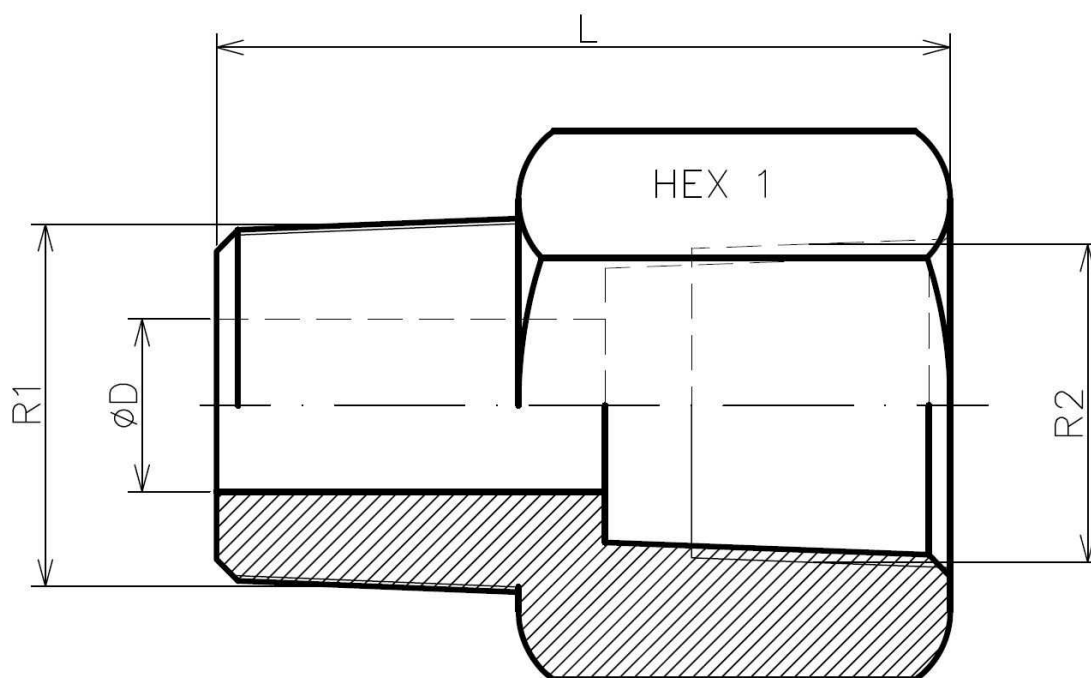
Artículo	R1	R2	L	HEX 1	ØC
A10150202	1/8" NPT	1/8" NPT			
A10150404	1/4" NPT	1/4" NPT	35	14	8
A10150606	3/8" NPT	3/8" NPT	36	19	10
A10150808	1/2" NPT	1/2" NPT	44	22	14
A10151212	3/4" NPT	3/4" NPT	49	27	18
A10151616	1" NPT	1" NPT	59	36	22
A10152020	1" 1/4 NPT	1" 1/4 NPT	62	46	30
A10152424	1 1/2" NPT	1 1/2" NPT	64	50	36
A10153232	2" NPT	2" NPT	75	65	50

Adaptadores NPT

Uniones rectas macho-hembra

Adaptador Macho NPT (60º) - Hembra Fija NPT**FLUIDAL**

1/1



Artículo	R1	R2	L	HEX 1	ØD
N10600404	M 1/4" NPT	H 1/4" NPT	35.3	3/4"	7.14
N10600406	M 1/4" NPT	H 3/8" NPT	36.6	7/8"	7.14
N10600604	M 3/8" NPT	H 1/4" NPT	36.3	3/4"	10.31
N10600606	M 3/8" NPT	H 3/8" NPT	36.6	7/8"	10.31
N10600608	M 3/8" NPT	H 1/2" NPT	42.7	1"1/8	10.31
N10600806	M 1/2" NPT	H 3/8" NPT	42.2	7/8"	13.49
N10600808	M 1/2" NPT	H 1/2" NPT	47.5	1"1/8	13.49
N10600812	M 1/2" NPT	H 3/4" NPT	49	1"3/8	13.49
N10601212	M 3/4" NPT	H 3/4" NPT	49	1"3/8	18.26
N10601616	M 1" NPT	H 1" NPT	60.2	1"5/8	23.83

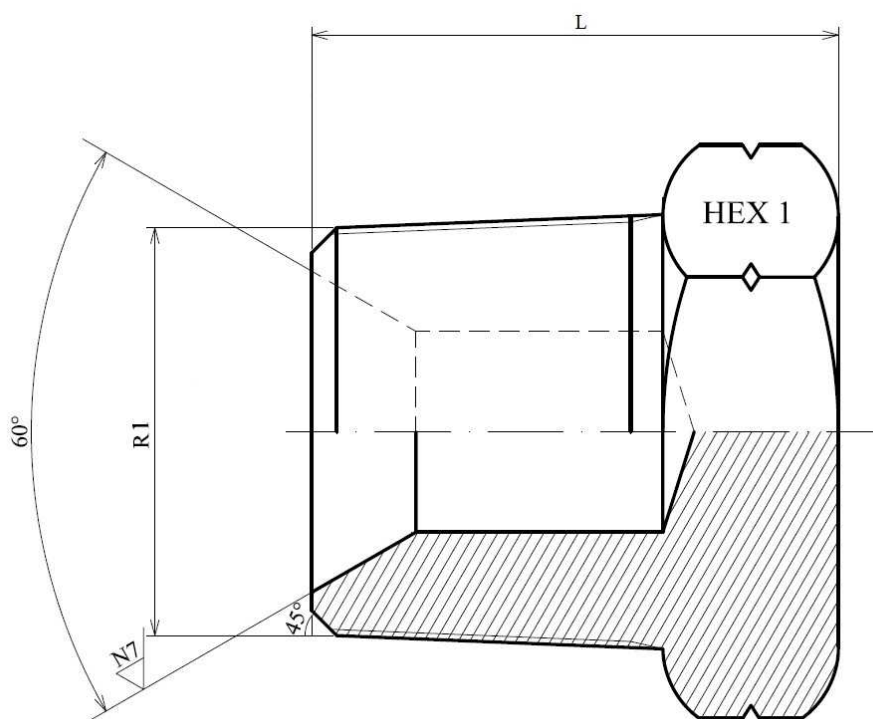
Adaptadores NPT

Tapones

Tapón macho NPT



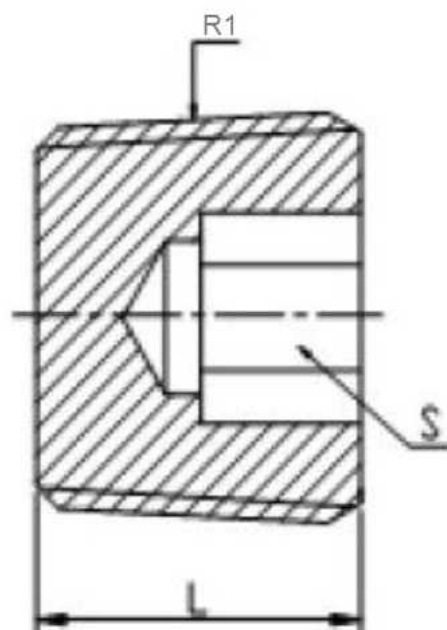
1/1



Artículo	R1	L	HEX 1
N107004	1/4" NPT	19.5	17
N107006	3/8" NPT	21	19
N107008	1/2" NPT	25.5	22
N107012	3/4" NPT	28	27
N107016	1" NPT	33	36

Adaptadores NPT

Tapones

Tapón Allen NPT**FLUIDAL****1/1**

Artículo	R1	L	HEX 1	S
N107104	1/4" NPT	12.1	17	1/4"
N107106	3/8" NPT	12.1	19	5/16"
N107108	1/2" NPT	16	22	3/8"
N107112	3/4" NPT	16.3	27	9/16"
N107116	1" NPT	20.100000000000001	36	5/8"

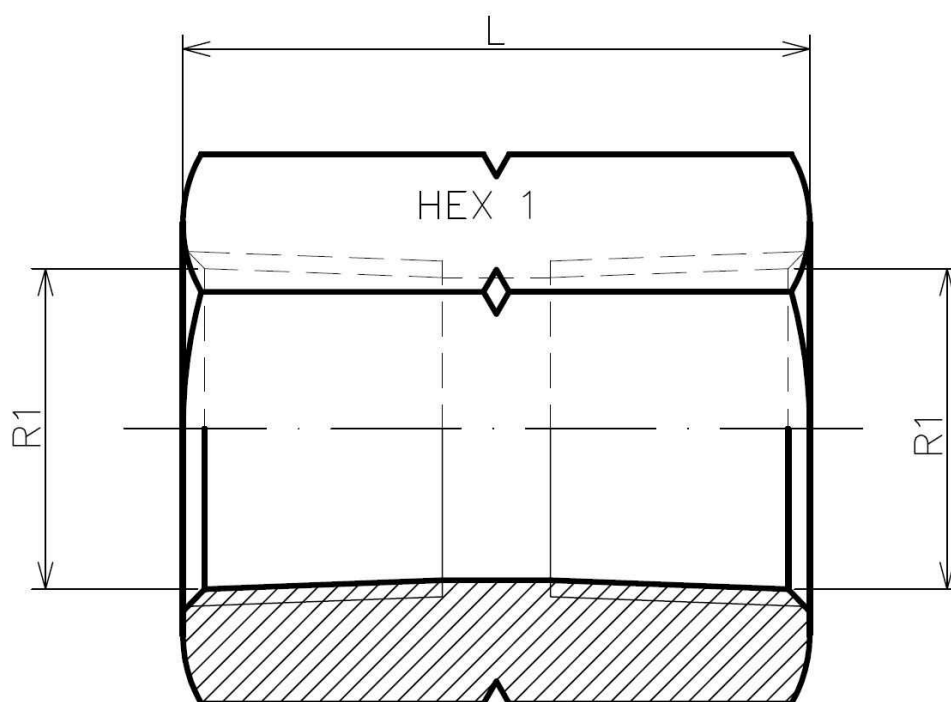
Adaptadores NPT

Uniones hembra y pasatabiques

Adaptador Hembra Fija NPT - Hembra Fija NPT



1/1



Artículo	R1	L	HEX 1
N103100404	1/4" NPT	28.7	3/4"
N103100606	3/8" NPT	28.7	7/8"
N103100808	1/2" NPT	38.1	1"1/8
N103101212	3/4" NPT	38.9	1"3/8
N103101616	1" NPT	60.2	1"5/8

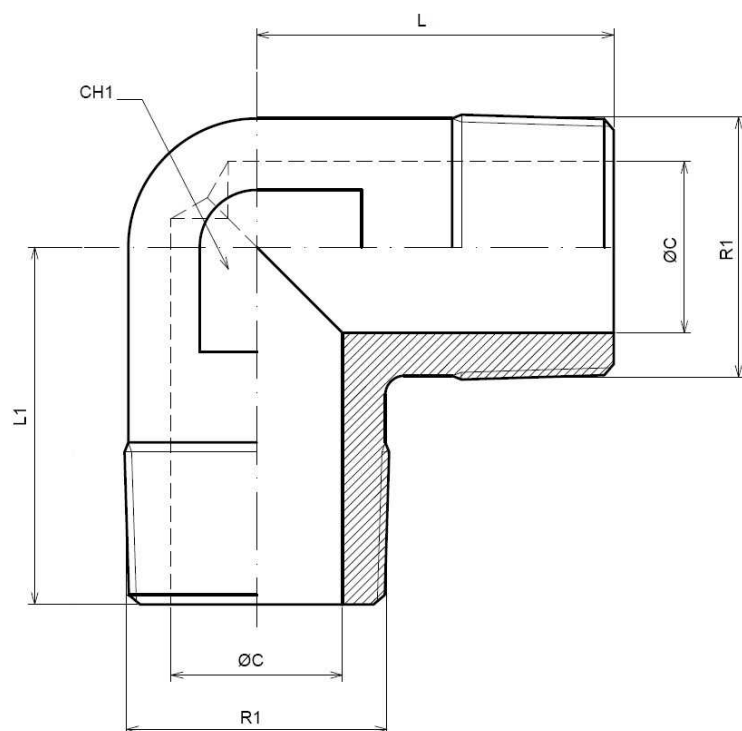
Adaptadores NPT

Codos en forja

Codo 90º M-M NPT



1/1



Artículo	R1	L	L1	CH1	ØC
N119002	1/8" NPT	18.3	18.3	8	5
N119004	1/4" NPT	27.7	27.7	14	7
N119006	3/8" NPT	31	31	19	10
N119008	1/2" NPT	37.3	37.3	22	13.5
N119012	3/4" NPT	37.5	37.5	28	18
N119016	1" NPT	49.5	49.5	36	22
N119020	1"1/4 NPT	60.5	60.5	41	31
N119024	1"1/2 NPT	67	67	46	38
N119032	2" NPT	76.2	76.2	65	49

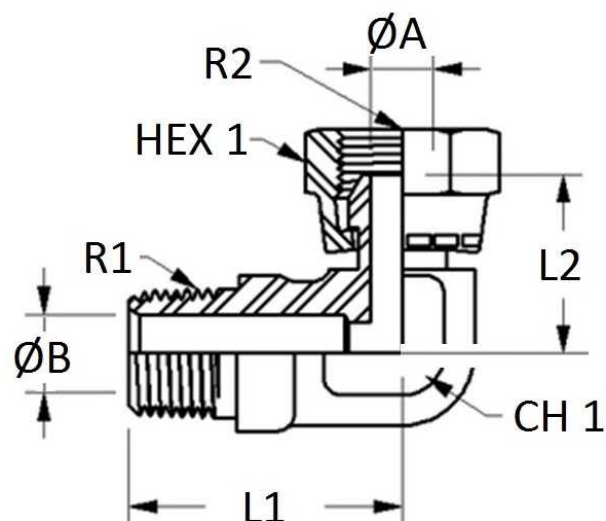
Adaptadores NPT

Codos en forja

Codo 90 Macho NPT (60º) - H.G. NPSM (60º)

Acero Inoxidable AISI 316-L

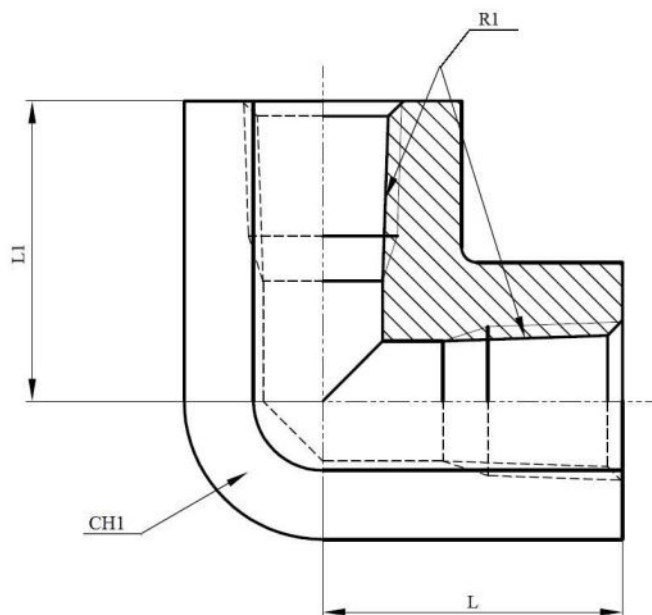
1/1



Artículo	R1	R2	L	L2	HEX 1	CH1	ØA	ØB
N11930404	M 1/4" NPT	H 1/4" NPSM	27	20	17	14	5	7
N11930606	M 3/8" NPT	H 3/8" NPSM	31	24	22	19	8	10
N11930808	M 1/2" NPT	H 1/2" NPSM	37.5	28	25	22	11	13
N11931212	M 3/4" NPT	H 3/4" NPSM	37.5	35.5	32	27	16	18
N11931616	M 1" NPT	H 1" NPSM	50	39	38	33	20	24

Adaptadores NPT

Codos en forja

Codo 90º HF-HF NPT**FLUIDAL****1/1**

Artículo	R1	L	L1	CH1
N119602	1/8" NPT	16.8	16.8	9/16"
N119604	1/4" NPT	22.4	22.4	3/4"
N119606	3/8" NPT	25.9	25.9	7/8"
N119608	1/2" NPT	31.2	31.2	1" 1/16
N119612	3/4" NPT	34.5	34.5	1" 5/16
N119616	1" NPT	41.2	41.2	1" 5/8
N119620	1"1/4 NPT	43.2	43.2	1" 7/8
N119624	1"1/2 NPT	52.8	52.8	2" 5/8
N119632	2" NPT	60.7	60.7	2" 13/16